



SERVICE PARTS LIST

BULLETIN NO.
54-00-0368

SPECIFY CATALOG NO. AND SERIAL NO. WHEN ORDERING PARTS		REVISED BULLETIN	DATE
MX FUEL™ Concrete Breaker			Aug. 2020
CATALOG NO.	MXF368	SERIAL NUMBER	K30A
WIRING INSTRUCTION			

EXAMPLE:

00	0
----	---

 Component Parts (Small #) Are Included When Ordering The Assembly (Large #).

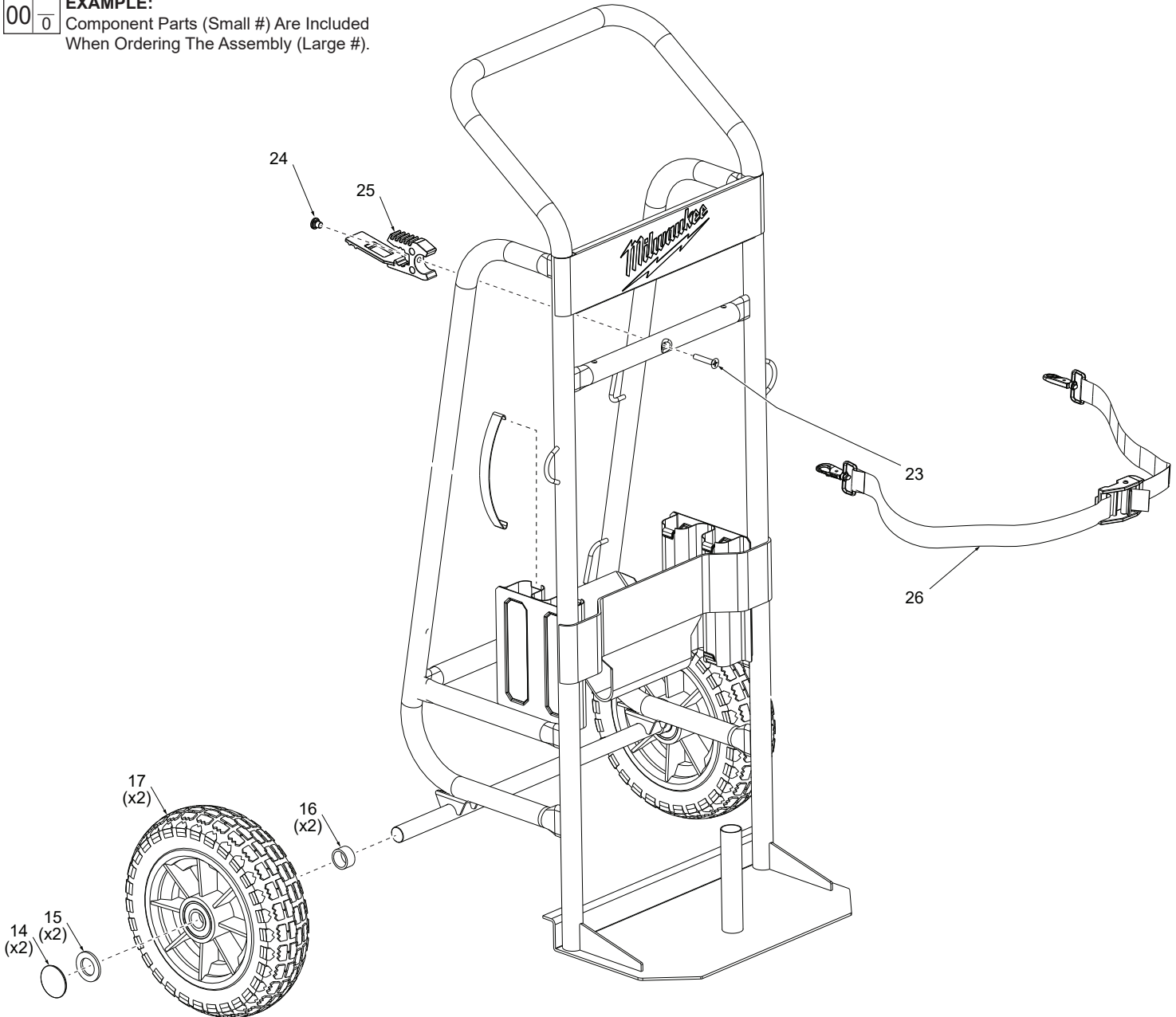


FIG.	PART NO.	DESCRIPTION OF PART	NO. REQ.
14	44-66-6180	Axle Cap	(2)
15	45-14-7010	Washer	(2)
16	42-40-3003	Bushing	(2)
17	45-94-0425	Wheel	(2)
23	05-80-0525	Countersunk Bolt M6 x 35mm	(1)
24	06-54-0110	Square Nut	(1)
25	42-36-2195	Rubber Clamp	(1)
26	42-42-0056	Locking Belt	(1)

Service for Milwaukee Tool MX FUEL Products
Please Call: 1-833-953-2010