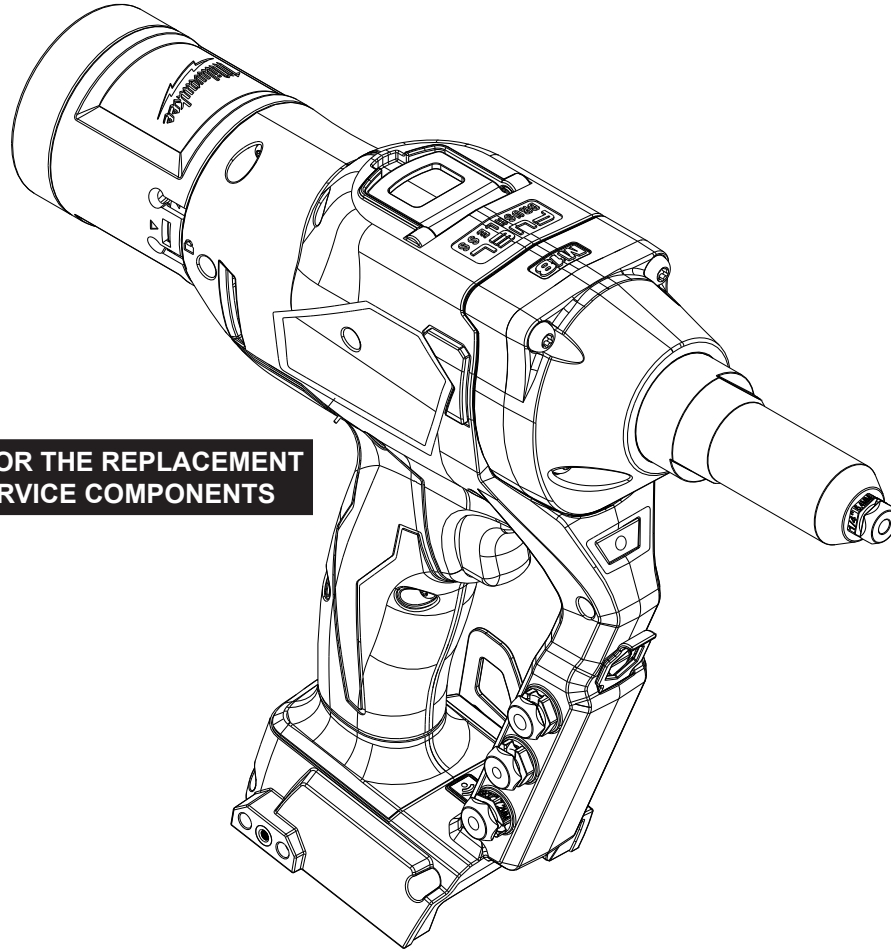




SERVICE PARTS LIST

BULLETIN NO.
54-00-2660

SPECIFY CATALOG NO. AND SERIAL NO. WHEN ORDERING PARTS		REVISED BULLETIN	DATE
M18™ FUEL™ RIVET TOOL with ONE-KEY™			Feb. 2021
CATALOG NO. 2660-20	STARTING SERIAL NO. L93A	WIRING INSTRUCTION	



SEE PAGE TWO FOR THE REPLACEMENT OF EXTERNAL SERVICE COMPONENTS

Due to the complexities of One-Key™ electronics contact the following for service related questions and issues:

e-Service at: www.milwaukeetool.com/e-service

or

questions, please call 1.800.SAWDUST (1.800.729.3878)

or

Visit www.milwaukeetool.com or

Return it to a MILWAUKEE *factory* Service Center location, freight prepaid and insured.

A copy of the proof of purchase should be included with the return product.

If you have questions please contact Milwaukee Product Service at:

Product Technical Support via phone at: 262.783.8642

or

Via email at: METProductSupport@milwaukeetool.com

Disassembly is not recommended and could void the warranty.

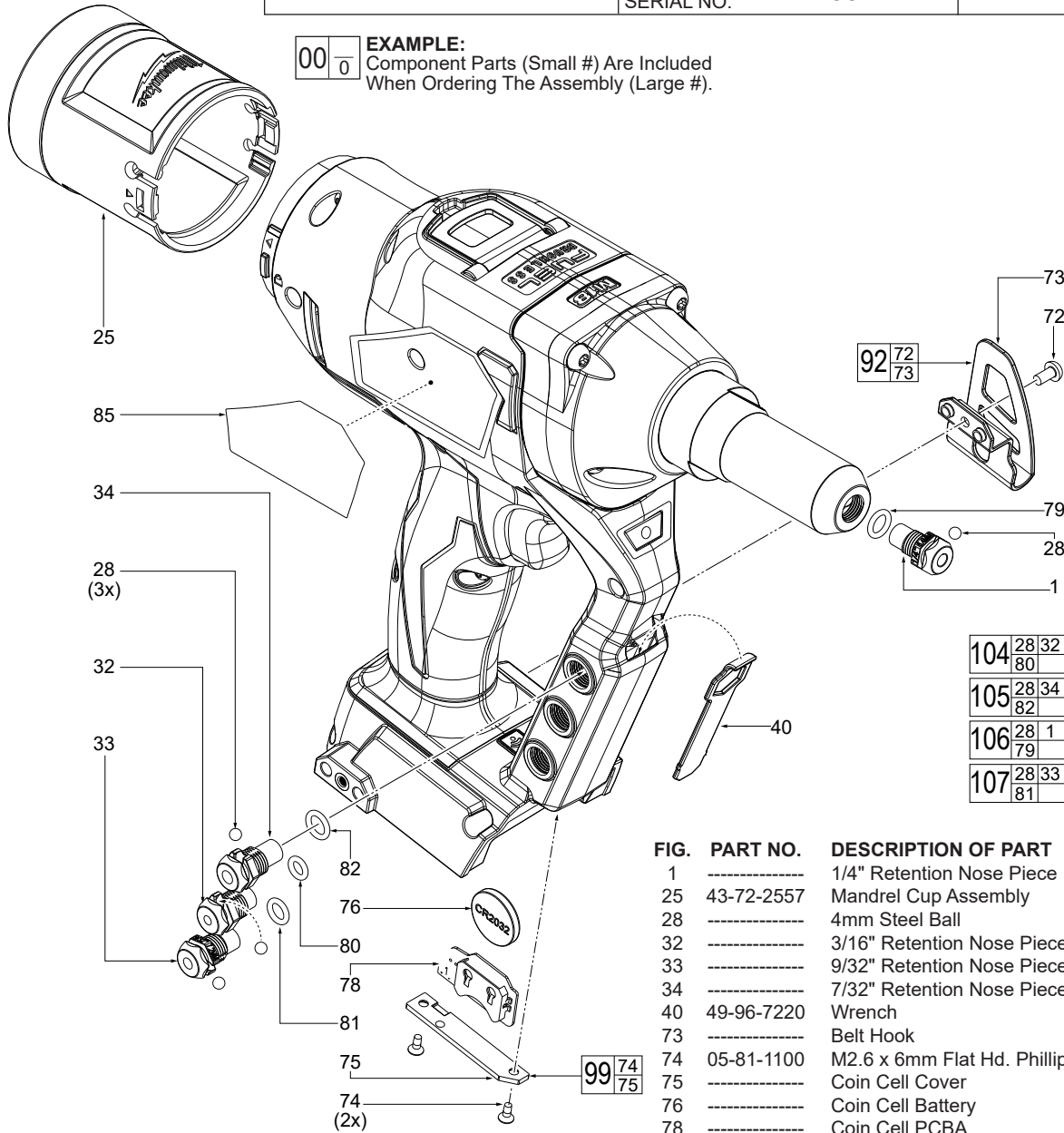


SERVICE PARTS LIST

BULLETIN NO.
54-00-2660

SPECIFY CATALOG NO. AND SERIAL NO. WHEN ORDERING PARTS		REVISED BULLETIN	DATE
M18™ FUEL™ RIVET TOOL with ONE-KEY™			Feb. 2021
CATALOG NO.	2660-20	STARTING SERIAL NO.	L93A
			WIRING INSTRUCTION

EXAMPLE:
Component Parts (Small #) Are Included
When Ordering The Assembly (Large #).



104	28	32
	80	
105	28	34
	82	
106	28	1
	79	
107	28	33
	81	

FIG.	PART NO.	DESCRIPTION OF PART	NO. REQ.
1	-----	1/4" Retention Nose Piece	(1)
25	43-72-2557	Mandrel Cup Assembly	(1)
28	-----	4mm Steel Ball	(4)
32	-----	3/16" Retention Nose Piece	(1)
33	-----	9/32" Retention Nose Piece	(1)
34	-----	7/32" Retention Nose Piece	(1)
40	49-96-7220	Wrench	(1)
73	-----	Belt Hook	(1)
74	05-81-1100	M2.6 x 6mm Flat Hd. Phillips Screw	(2)
75	-----	Coin Cell Cover	(1)
76	-----	Coin Cell Battery	(1)
78	-----	Coin Cell PCBA	(1)
79	-----	O-Ring-Green	(1)
80	-----	O-Ring-Black	(1)
81	-----	O-Ring- Brown	(1)
82	-----	O-Ring-Red	(1)
85	12-20-0314	Service Nameplate	(1)
92	42-70-0950	Belt Clip Service Kit	(1)
99	44-62-0028	Coin Cell Cover Service Kit	(1)
104	48-98-0025	3/16" Retention Nosepiece Assembly	(1)
105	48-98-0026	7/32" Retention Nosepiece Assembly	(1)
106	48-98-0027	1/4" Retention Nosepiece Assembly	(1)
107	48-98-0028	9/32" Retention Nosepiece Assembly	(1)