



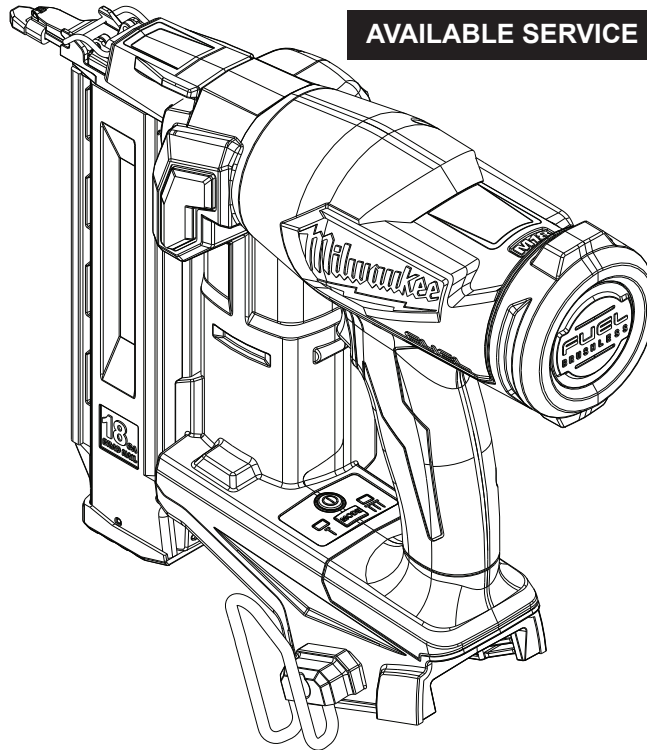
SERVICE PARTS LIST

BULLETIN NO.
54-00-2746

SPECIFY CATALOG NO. AND SERIAL NO. WHEN ORDERING PARTS				REVISED BULLETIN	DATE
M18™ FUEL™ 18 Ga. Finish Nailer					Nov. 2019
CATALOG NUMBER	2746-20	SERIAL NUMBER	K46A	WIRING INSTRUCTION	

AVAILABLE SERVICE PARTS

PAGE 2



Due to the combination of the compressed air system and electronics in this tool, service can only be performed at Milwaukee Authorized Repair Centers:

MILWAUKEE ELECTRIC TOOL Central Repair
1401 Sycamore Avenue • Greenwood, MS 38930-7277
Please send your tool directly to this location for service.

Or

Via e-Service at: www.milwaukeetool.com/e-service
questions, please call 1.800.SAWDUST (1.800.729.3878)

Or

Visit www.milwaukeetool.com to find your closest
Milwaukee authorized Hydraulic repair center

Or

Return it to a MILWAUKEE *factory* Service Center location, freight prepaid and insured.
A copy of the proof of purchase should be included with the return product.

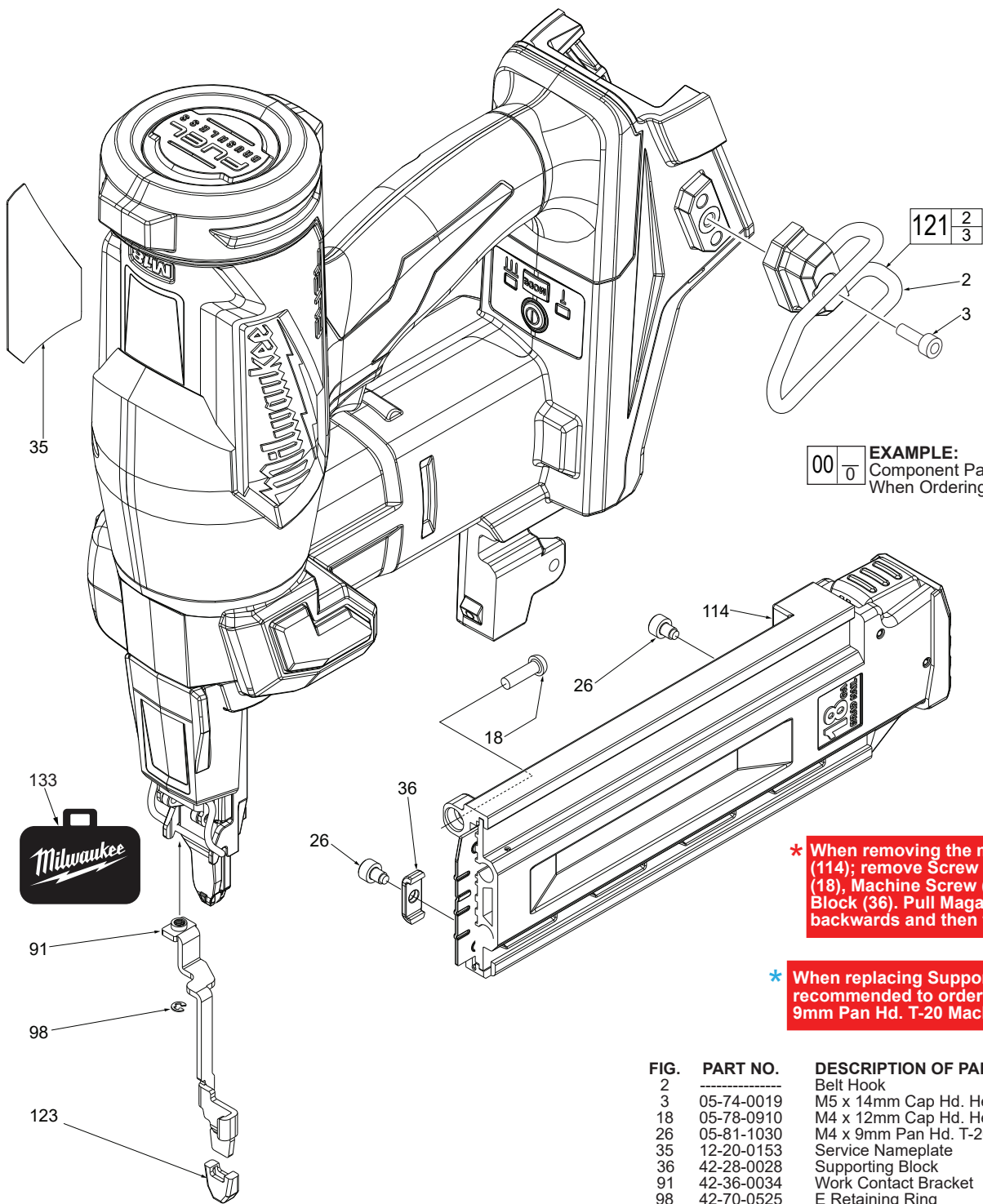
If you have questions please contact Milwaukee Product Service at:

Product Technical Support via phone at: 262.783.8642

Or

Via email at: METProductSupport@milwaukeetool.com

Disassembly is not recommended and could void the warranty.



EXAMPLE:
Component Parts (Small #) Are Included
When Ordering The Assembly (Large #).

* When removing the magazine assembly (114); remove Screw (26), Hex Socket Screw (18), Machine Screw (78) and Supporting Block (36). Pull Magazine Assembly (114) backwards and then twist.

* When replacing Support Block (36) it is recommended to order the following: M4 x 9mm Pan Hd. T-20 Machine Screw (26) qty 1.

FIG.	PART NO.	DESCRIPTION OF PART	NO. REQ.
2	-----	Belt Hook	(1)
3	05-74-0019	M5 x 14mm Cap Hd. Hex Socket Screw	(1)
18	05-78-0910	M4 x 12mm Cap Hd. Hex Socket Screw	(3)
26	05-81-1030	M4 x 9mm Pan Hd. T-20 Machine Screw	(2)
35	12-20-0153	Service Nameplate	(1)
36	42-28-0028	Supporting Block	(1)
91	42-36-0034	Work Contact Bracket	(1)
98	42-70-0525	E Retaining Ring	(1)
114	43-40-0014	Magazine Assembly	(1)
121	42-70-0021	Belt Clip Assembly	(1)
123	42-38-0017	No-Mar Pad Kit (Set of 3)	(1)
126	10-20-3069	Warning Label (Not Shown)	(1)
133	42-55-6150	Contractor Bag	(1)