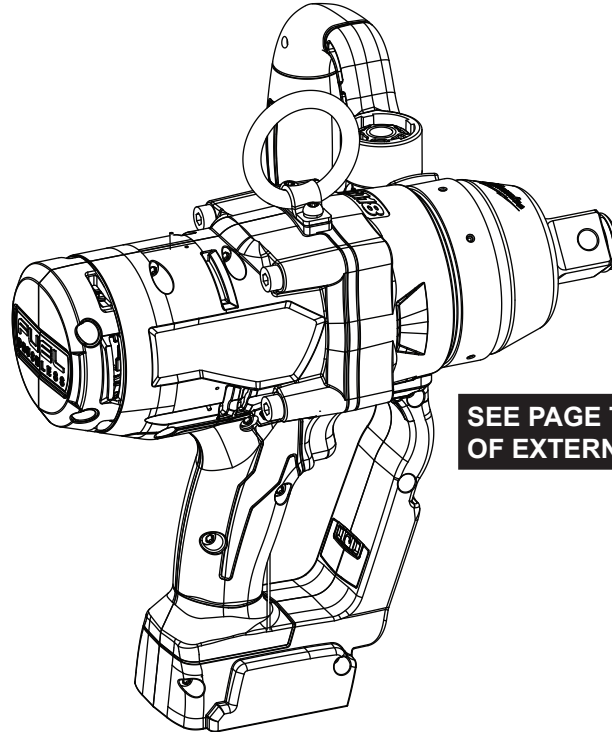




SERVICE PARTS LIST

BULLETIN NO.
54-00-2867

SPECIFY CATALOG NO. AND SERIAL NO. WHEN ORDERING PARTS			REVISED BULLETIN	DATE
M18™ FUEL™ 1" Square Impact Wrench w/ONE-KEY™				Nov. 2020
CATALOG NO.	2867-20	STARTING SERIAL NO.	WIRING INSTRUCTION	
		K04A		



SEE PAGE TWO FOR THE REPLACEMENT
OF EXTERNAL SERVICE COMPONENTS

**Due to the complexities of One-Key™ electronics
and/or
Hydraulic/Pneumatic construction in this tool,
contact the following for service related questions and issues:**

e-Service at: www.milwaukeetool.com/e-service

or

questions, please call 1.800.SAWDUST (1.800.729.3878)

or

Visit www.milwaukeetool.com to find your closest
Milwaukee authorized Hydraulic repair center

or

Return it to a MILWAUKEE *factory* Service Center location, freight prepaid and insured.
A copy of the proof of purchase should be included with the return product.

If you have questions please contact Milwaukee Product Service at:

Product Technical Support via phone at: 262.783.8642

or

Via email at: METProductSupport@milwaukeetool.com

Disassembly is not recommended and could void the warranty.



SERVICE PARTS LIST

BULLETIN NO.
54-00-2867

SPECIFY CATALOG NO. AND SERIAL NO. WHEN ORDERING PARTS		REVISED BULLETIN	DATE
M18™ FUEL™ 1" Square Impact Wrench w/ONE-KEY™			Nov. 2020
CATALOG NO.	2867-20	WIRING INSTRUCTION	
STARTING SERIAL NO.	K04A		

EXAMPLE:
Component Parts (Small #) Are Included
When Ordering The Assembly (Large #).

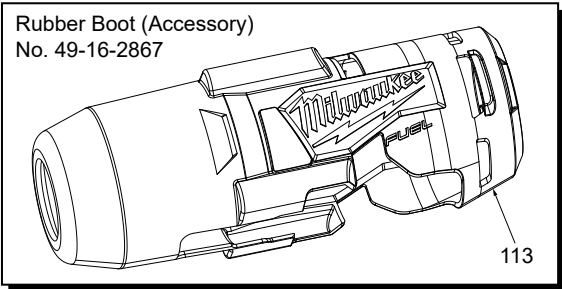
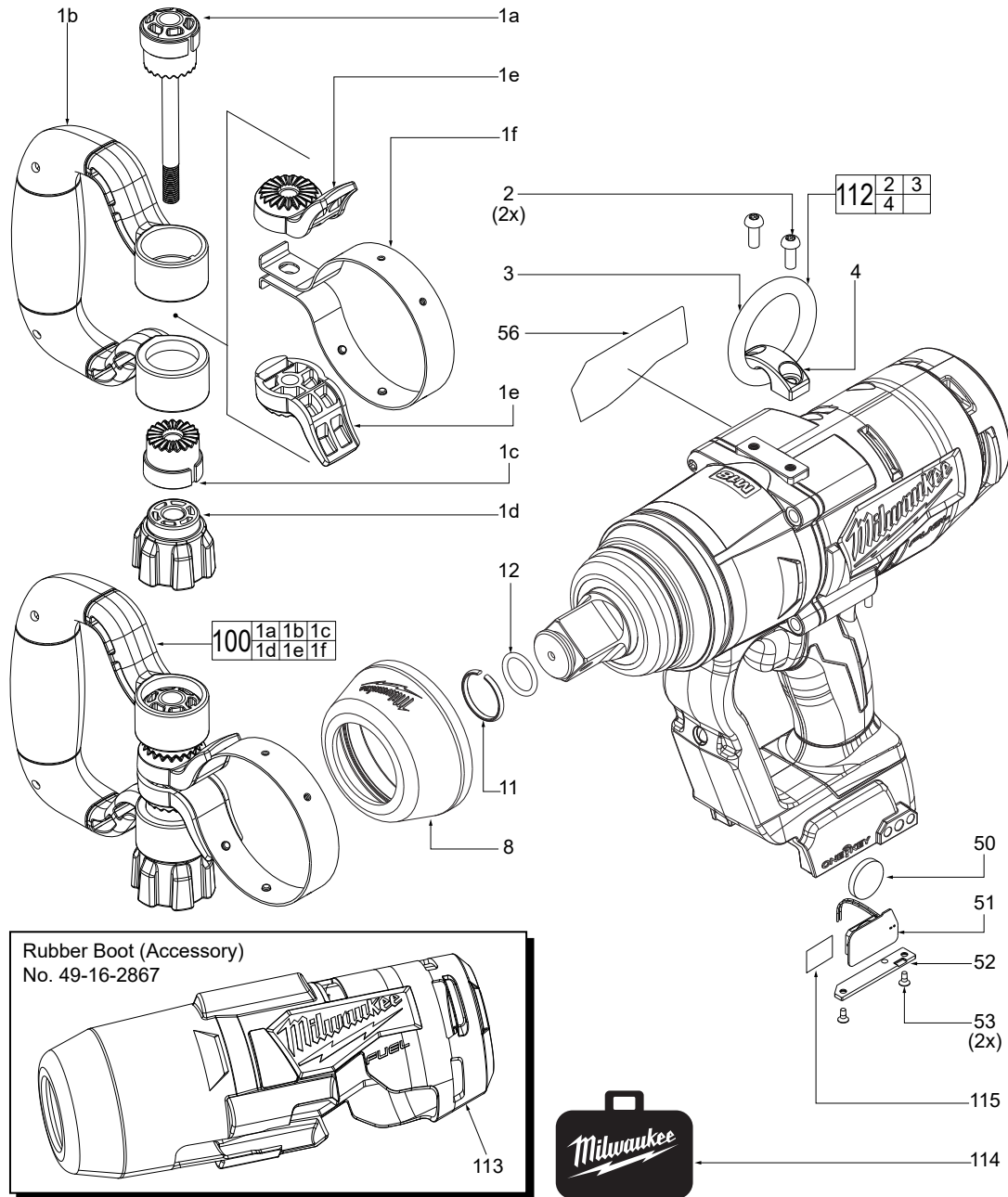


FIG.	PART NO.	DESCRIPTION OF PART	NO. REQ.
1a	-----	Top Handle Top Cap with Insert Bolt	(1)
1b	43-62-2867	Side Handle Grip	(1)
1c	-----	Side Handle Jaw	(1)
1d	-----	Side Handle Knob with Insert Nut	(1)
1e	-----	Side Handle Clamp	(2)
1f	-----	Side Handle Band	(1)
2	-----	M5 x 13mm Pan Hd. T-25 Mach. Screw	(2)
3	-----	Ring	(1)
4	-----	Ring Holder	(1)
8	42-38-9001	Gearcase Boot	(1)
11	44-90-9001	Hog Ring	(1)
12	34-40-2867	O-Ring	(1)
50	50-11-0020	3V Coin Cell Battery (CR 2032)	(1)
51	22-09-0015	Coin Cell PCBA	(1)
52	31-15-0011	Coin Cell Cover	(1)

FIG.	PART NO.	DESCRIPTION OF PART	NO. REQ.
53	05-81-1100	M2.6 x 6mm ST Phillips Screw	(2)
56	12-20-0130	Service Nameplate	(1)
100	14-34-6004	Side Handle Assembly	(1)
112	14-46-2867	Ring Holder Assembly	(1)
113	49-16-2867	Rubber Boot	(1)
114	48-55-3560	Contractors Bag	(1)
115	44-52-0006	Foam Pad	(1)