



SERVICE PARTS LIST

BULLETIN NO.
54-00-2879

SPECIFY CATALOG NO. AND SERIAL NO. WHEN ORDERING PARTS				REVISED BULLETIN	DATE
M18™ FORCELOGIC™ 15T Crimper					May 2019
CATALOG NUMBER	2879-20	SERIAL NUMBER	K41A	WIRING INSTRUCTION	

AVAILABLE SERVICE PARTS

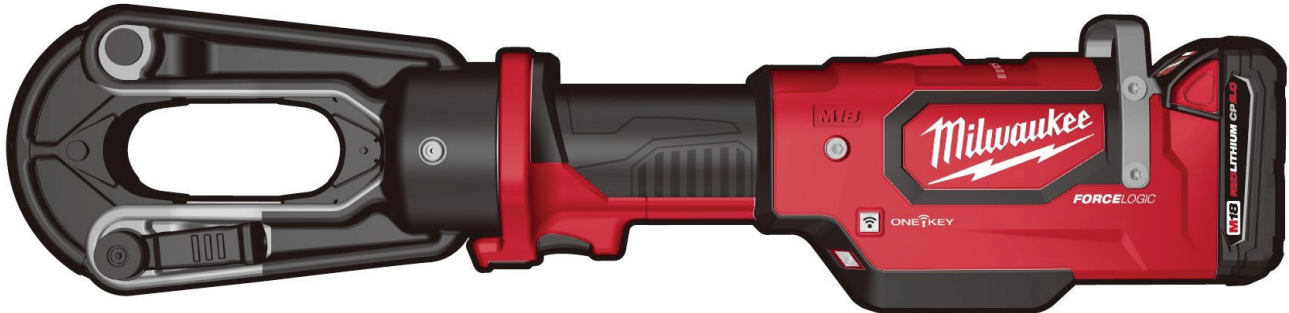
PAGE 2

CRIMPER HEAD SERVICE PARTS

PAGE 3

ACCESSORIES

PAGE 3



**Due to the combination of hydraulics and electronics in this tool,
service can only be performed at Milwaukee Authorized Hydraulic Repair Centers:**

MILWAUKEE TOOL Central Repair

1401 Sycamore Avenue • Greenwood, MS 38930-7277

Please send your tool directly to this location for service.

Or

Via e-Service at: www.milwaukeetool.com/e-service

questions, please call 1.800.SAWDUST (1.800.729.3878)

Or

Visit www.milwaukeetool.com to find your closest

Milwaukee authorized Hydraulic repair center

Or

Return it to a MILWAUKEE *factory* Service Center location, freight prepaid and insured.

A copy of the proof of purchase should be included with the return product.

If you have questions please contact Milwaukee Product Service at:

Product Technical Support via phone at: 262.783.8642

Or

Via email at: METProductSupport@milwaukeetool.com

Disassembly is not recommended and could void the warranty.

00 0 **EXAMPLE:**
 Component Parts (Small #)
 Are Included When Ordering
 The Assembly (Large #).

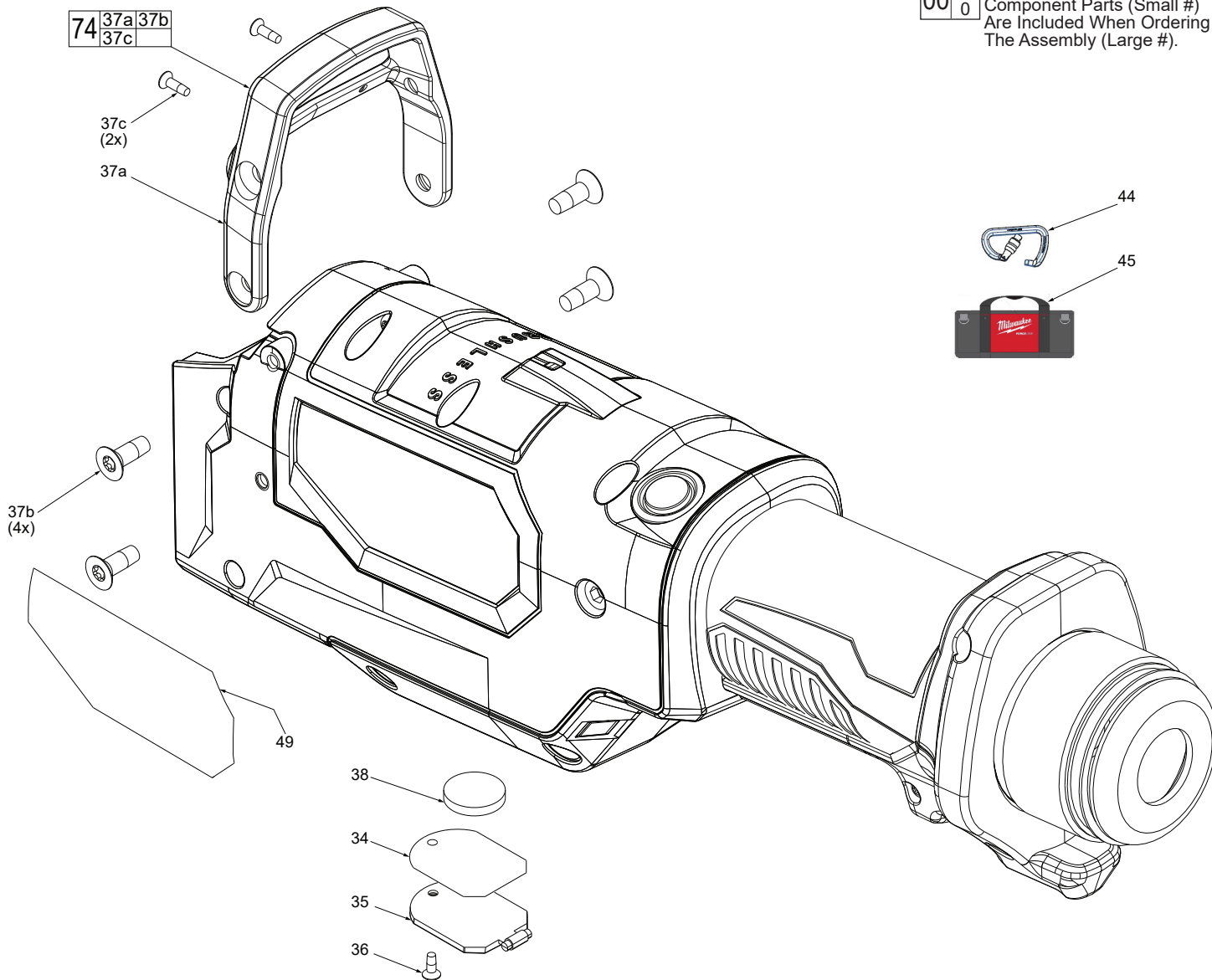


FIG.	PART NO.	DESCRIPTION OF PART	NO. REQ.
34	-----	Rubber Seal	(1)
35	-----	Cell Door	(1)
36	-----	M3 x 1.058mm Fine Hd. T-10 Screw	(1)
37a	-----	Hook Ring	(1)
37b	-----	M6 x 1.814mm Fine Hd. T-30 Screw	(4)
37c	-----	M3 x 1.058mm C Hd. Screw	(2)
38	-----	Battery Cell	(1)
44	42-70-0027	Carabiner	(1)
45	48-22-8280	Tool Bag	(1)
49	12-20-0208	Service Nameplate	(1)
74	44-90-0047	Hook Ring Assembly	(1)

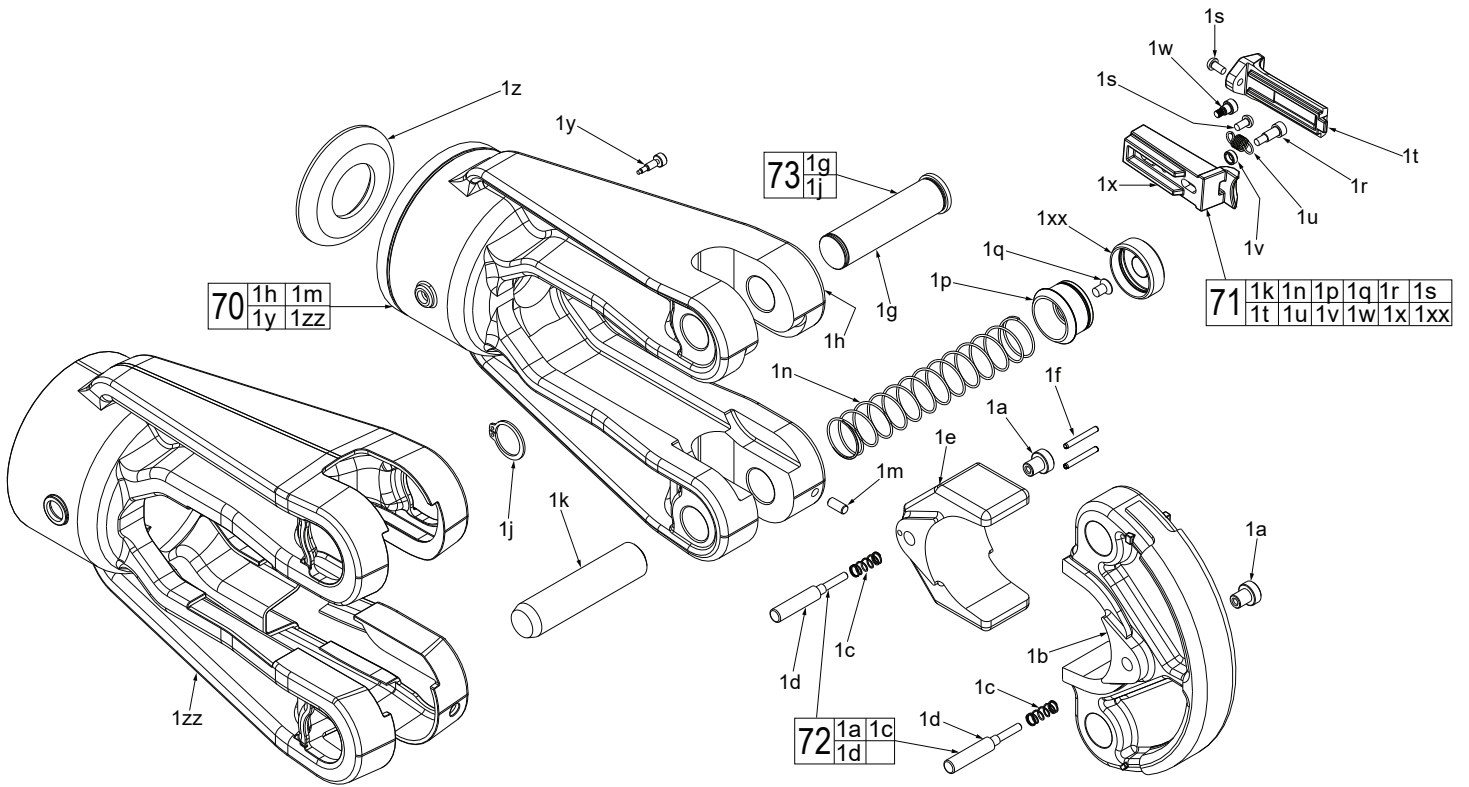


FIG.	PART NO.	DESCRIPTION OF PART	NO. REQ.
1a	-----	Die Holder Stop Ring	(2)
1b	-----	Nest	(1)
1c	-----	Die Spring Pin	(2)
1d	-----	Die Holder Pin	(2)
1e	-----	Spring Pin	(1)
1f	-----	Roll Pin	(2)
1g	-----	Clevis Pin	(1)
1h	-----	Clevis	(1)
1j	44-86-0042	Retaining Ring	(1)
1k	-----	Fixed Pin	(1)
1m	-----	Retention Pin	(1)
1n	-----	Compression Spring	(1)
1p	-----	Spring Cap Pin	(1)
1q	-----	M4 X 0.7mm Pan Hd. T-20 Machine Screw	(1)
1r	-----	Shoulder Screw	(1)

FIG.	PART NO.	DESCRIPTION OF PART	NO. REQ.
1s	-----	M3 x 0.5mm Pan Hd. T-10 Screw	(2)
1t	-----	Pin Release Cover	(1)
1u	-----	Extension Spring	(1)
1v	-----	Spacer	(1)
1w	-----	Shoulder Screw	(1)
1x	-----	Pin Release Bottom	(1)
1xx	-----	Spring Cap Cover	(1)
1y	-----	Rotation Stop Screw	(1)
1z	-----	Stop Ring	(1)
1zz	45-12-0016	Rubber Boot	(1)
70	28-25-0014	Clevis w/ Pin Kit	(1)
71	44-60-0079	Pin Release Kit	(1)
72	44-86-0013	Die Retention Assembly Kit	(1)
73	43-64-0017	Fixed Pin Assembly Kit	(1)

Accessories:

FIG.	PART NO.	DESCRIPTION OF PART	NO. REQ.
47a	-----	Die Adapter Holder	(1)
47b	-----	Spring	(1)
47c	-----	P to U Die Adapter	(1)
47d	-----	Adapter Release Button	(1)
47e	-----	Roll Pin	(1)
81	49-15-PUAD	15T PU Die Adapter	(1)

