



SERVICE PARTS LIST

BULLETIN NO.
54-04-1205

SPECIFY CATALOG NO. AND SERIAL NO. WHEN ORDERING PARTS		REVISED BULLETIN	DATE
3' USB-C and 2.1 A Wall CHARGER W/Micro USB ADAPTOR			Nov. 2022
CATALOG NO.	48-59-1209	WIRING INSTRUCTION	
	STARTING SERIAL NO.		

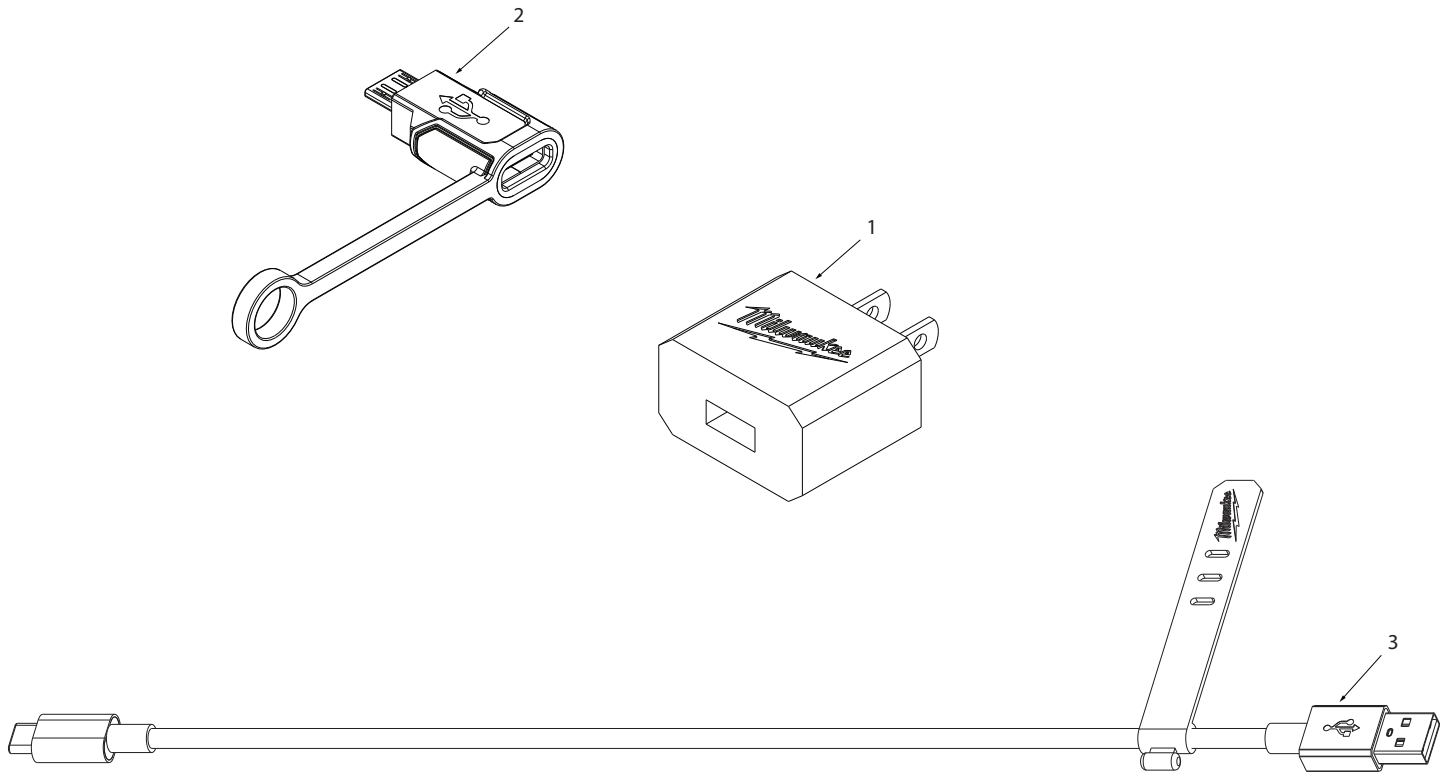


FIG.	PART NO.	DESCRIPTION OF PART	NO. REQ.
1	-----	USB-A Wall Adapter	(1)
2	42-44-1201	USB-C to Micro-USB Adapter	(1)
3	42-44-1209	3FT USB-C to USB-A Cord	(1)