



# SERVICE PARTS LIST

**BULLETIN NO.**  
**54-06-2113**

<b>SPECIFY CATALOG NO. AND SERIAL NO. WHEN ORDERING PARTS</b>		REVISED BULLETIN	DATE
<b>USB Rechargeable Pivoting Flashlight</b>			August 2018
<b>CATALOG NO.</b>	<b>2113-20</b>	WIRING INSTRUCTION	
	STARTING SERIAL NO.		

**EXAMPLE:**  
Component Parts (Small #) Are Included  
When Ordering The Assembly (Large #).

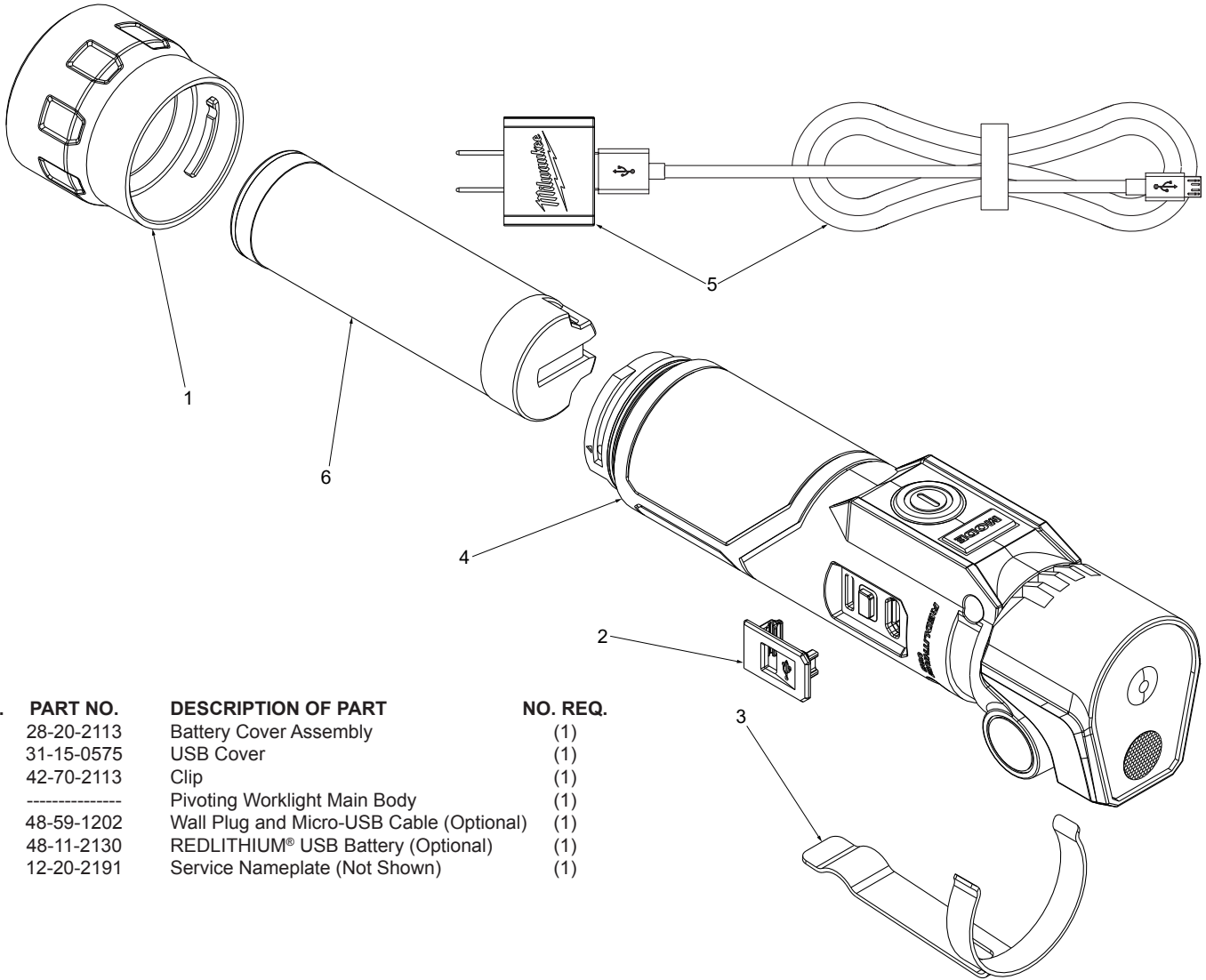


FIG.	PART NO.	DESCRIPTION OF PART	NO. REQ.
1	28-20-2113	Battery Cover Assembly	(1)
2	31-15-0575	USB Cover	(1)
3	42-70-2113	Clip	(1)
4	-----	Pivoting Worklight Main Body	(1)
5	48-59-1202	Wall Plug and Micro-USB Cable (Optional)	(1)
6	48-11-2130	REDLITHIUM® USB Battery (Optional)	(1)
7	12-20-2191	Service Nameplate (Not Shown)	(1)