



SERVICE PARTS LIST

BULLETIN NO.
54-06-2115

SPECIFY CATALOG NO. AND SERIAL NO. WHEN ORDERING PARTS		REVISED BULLETIN	DATE
ROVER™ USB RECHARGEABLE POCKET FLOOD LIGHT			May 2017
CATALOG NO.	2112-21	STARTING SERIAL NO.	J27A
WIRING INSTRUCTION			

00 0 **EXAMPLE:**
Component Parts (Small #)
Are Included When Ordering
The Assembly (Large #).

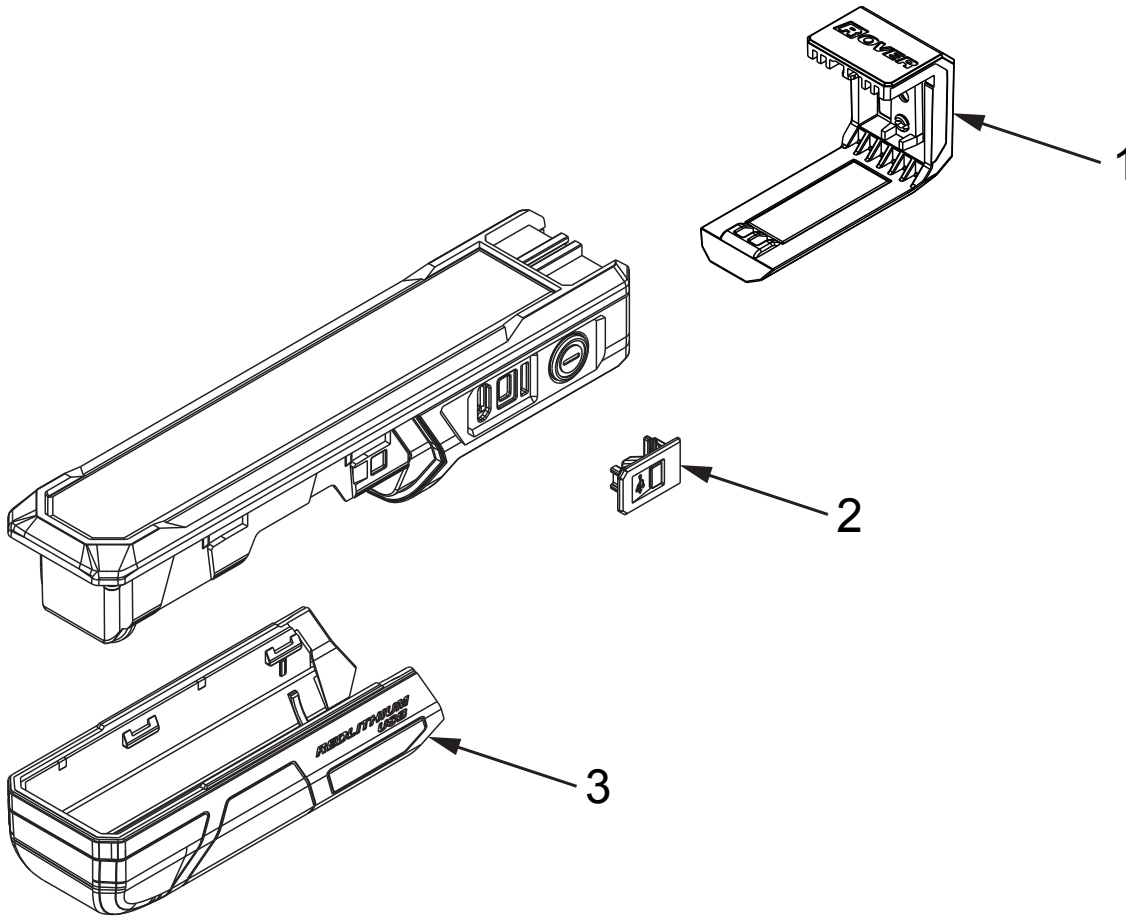


FIG.	PART NO.	DESCRIPTION OF PART	NO. REQ.
1	42-70-0015	Magnet Clip	(1)
2	31-15-0575	USB Cover	(1)
3	31-21-0135	Battery Cover	(1)