



# SERVICE PARTS LIST

**BULLETIN NO.**  
**54-07-2375**

SPECIFY CATALOG NO. AND SERIAL NO. WHEN ORDERING PARTS		REVISED BULLETIN	DATE
<b>M-SPECTOR™ 4' INSPECTION CAMERA</b>			Nov. 2022
<b>CATALOG NO.</b>	<b>2319-20</b>	<b>SERIAL NUMBER</b>	<b>N37A</b>
WIRING INSTRUCTION			

**EXAMPLE:**  
Component Parts (Small #)  
Are Included When Ordering  
The Assembly (Large #).

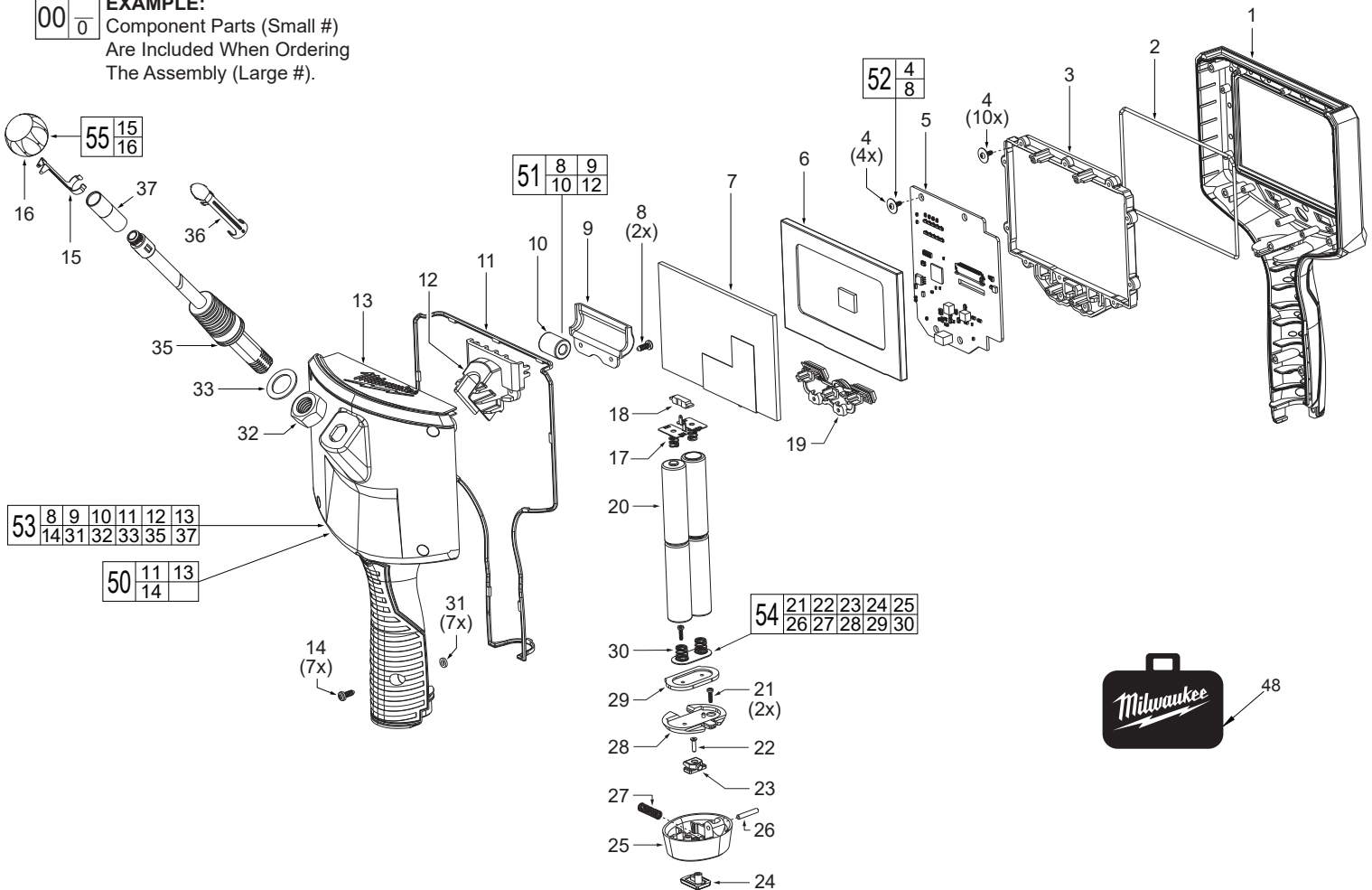


FIG.	PART NO.	DESCRIPTION OF PART	NO. REQ.	FIG.	PART NO.	DESCRIPTION OF PART	NO. REQ.
1	31-44-1018	Front Housing	(1)	23	-----	Plastic Hook	(1)
2	43-44-0097	Display Gasket	(1)	24	-----	Button Cover	(1)
3	44-06-0016	Lens	(1)	25	-----	Battery Cover	(1)
4	-----	Screw 2 x 6.5	(14)	26	-----	Shaft	(1)
5	22-80-0128	PCBA	(1)	27	-----	Spring	(1)
6	43-44-0104	Display Silicone Sleeve	(1)	28	-----	Lock Bracket	(1)
7	23-28-2319	LCD Display	(1)	29	-----	Battery Door Silicone	(1)
8	-----	Screw 2.6 x 8	(2)	30	-----	Battery Door	(1)
9	-----	Ferrite Ring Cover	(1)	31	-----	Rubber Washer	(7)
10	-----	Ferrite Ring	(1)	32	-----	Nut	(1)
11	14-46-2032	Housing Sealing Ring	(1)	33	-----	Metal Pad	(1)
12	-----	Cable Bracket	(1)	35	-----	Cable Assembly	(1)
13	-----	Back Housing	(1)	36	44-79-0300	Accessory Mirror	(1)
14	-----	Screw 3 x 8	(7)	37	-----	Camera Module Assembly	(1)
15	-----	Ball Hook	(1)	46	42-55-2319	Carrying Case	(1)
16	-----	Plumbing Ball	(1)	50	14-46-2033	Handle Screw & Gasket Service Kit	(1)
17	23-52-0280	Battery Terminals Spring	(2)	51	14-46-2034	Ferrite Clamp Service Kit	(1)
18	45-36-0006	Spacer	(1)	52	14-46-2031	Internal Fastener Service Kit	(1)
19	42-42-0304	Button Connector	(1)	53	14-38-0057	Back Housing Service Kit	(1)
20	-----	AA battery	(4)	54	14-38-0056	Battery Door Service Kit	(1)
21	-----	Screw 2 x 6	(2)	55	43-74-0038	Plumbing Ball Assembly	(1)
22	-----	Screw 2 x 8	(1)				