

SERVICE PARTS LIST

BUL. 54-14-4100

TWO SPEED DRILL

REVISED BUL. 6348-1 DATE Aug. '73

Catalog No. 4295-1

Starting Serial No. **348-1001**

WIRING INSTRUCTIONS
58-01-0370

Specify Catalog and Serial No. when ordering parts

250/500 R.P.M.

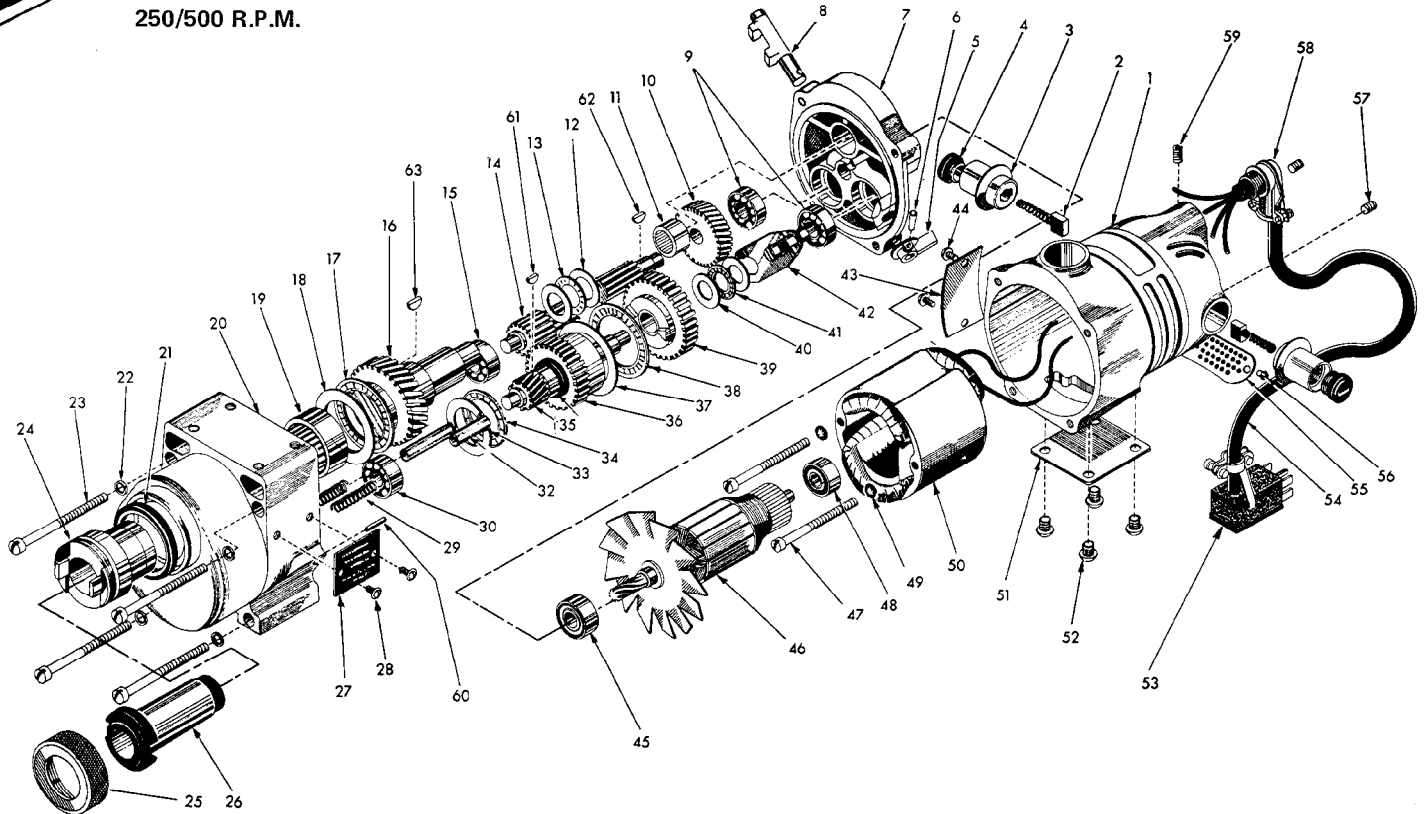


FIG.	PART NO.	DESCRIPTION OF PART	NO. REQ.
1	28-50-4121	Motor Housing	(1)
2	22-18-0055	Carbon Brush Assembly	(2)
3	22-22-0015	Brush Holder Assembly	(2)
4	23-44-0030	Brush Retaining Screw	(2)
5	28-60-0051	Shifting Knob	(1)
6	06-65-0840	Groove Pin	(1)
7	28-28-1365	Diaphragm	(1)
8	30-15-0051	Shifting Cam	(1)
9	02-04-1205	Ball Bearing	(2)
10	32-40-1581	Intermediate Gear	(1)
11	02-50-4830	Roller Bearing	(1)
12	45-88-0515	Spindle Thrust Washer	(2)
13	02-80-1525	Spindle Thrust Bearing	(1)
14	36-66-3751	Intermediate Pinion Shaft	(1)
15	02-04-1260	Ball Bearing	(1)
16	32-75-2581	Spindle Gear	(1)
17	02-80-5000	Thrust Bearing	(1)
18	45-88-0530	Thrust Washer	(1)
19	02-50-9975	Roller Bearing	(1)
20	28-14-1221	Gear Case	(1)
21	45-06-0100	Oil Seal	(1)
22	06-97-3800	No. 14 Kantlink gear case lock washer	(4)
23	06-81-2125	1/4-20x3-1/2 Fil. Hd. Gear Case Scrs.	(4)
24	38-50-4651	Spindle	(1)
25	42-52-0050	Taper Socket Cap	(1)
26	45-34-0050	Taper Socket	(1)
27	12-98-2105	Instruction Name	(1)
28	06-81-8400	4-40x1/4 Rd. Hd. Sems Ins. Plate Scr.	(2)
29	40-50-6300	Shifting Spring	(2)
30	02-04-1260	Ball Bearing	(1)
32	44-70-0100	Shifting Plunger	(2)
33	45-88-0520	Thrust Washer	(1)

FIG.	PART NO.	DESCRIPTION OF PART	NO. REQ.
34	02-80-1800	Thrust Bearing	(1)
35	36-14-0071	Pinion Clutch Shaft	(1)
36	32-10-0061	Clutch Gear	(1)
37	45-88-0530	Thrust Washer	(1)
38	02-80-5000	Thrust Bearing	(1)
39	32-10-0051	Clutch Gear	(1)
40	45-88-0510	Thrust Washer	(2)
41	02-80-1200	Thrust Bearing	(1)
42	45-98-0090	Shifting Yoke	(1)
43	12-98-2075	Nameplate	(1)
44	06-85-0200	Nameplate Screws	(2)
45	02-04-1265	Ball Bearing	(1)
46	16-82-1781	Armature Assembly	(1)
47	06-81-1150	10-24x3-1/8 Fil. Hd. Field Screw	(2)
48	02-04-1070	Ball Bearing	(1)
49	06-97-2200	Field Lock Washer	(2)
50	18-82-1070	Field Assembly	(1)
51	44-66-0050	Body Cover Plate	(1)
52	06-81-5000	1/4-20x3/8 Thrust Hd. Cover Plate Scr.	(4)
53	22-56-0210	Plug	(1)
54	22-64-0530	Cord Set (Incl. Item 53)	(1)
55	44-66-0180	Air Intake Cover Plate	(1)
56	06-81-8650	6-32x1/4 Rd. Hd. Air Intake Cover Plate Scr.	(2)
57	06-83-2650	1/4-20x3/8 Hd ^l less Brush Holder Set Scr.	(2)
58	22-56-0060	Right Angle Connector	(1)
59	06-83-2650	1/4-20x3/8 Hd ^l less Cord Elbow Set Screw	(1)
60	06-65-1535	1/8x3/4 Roll Pin (Gear Case Dowell)	(1)
61	06-42-2000	No. 3 Woodruff Key	(1)
62	06-42-1600	Woodruff Key	(1)
63	06-42-2400	Woodruff Key	(1)