



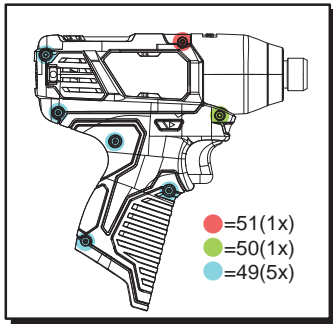
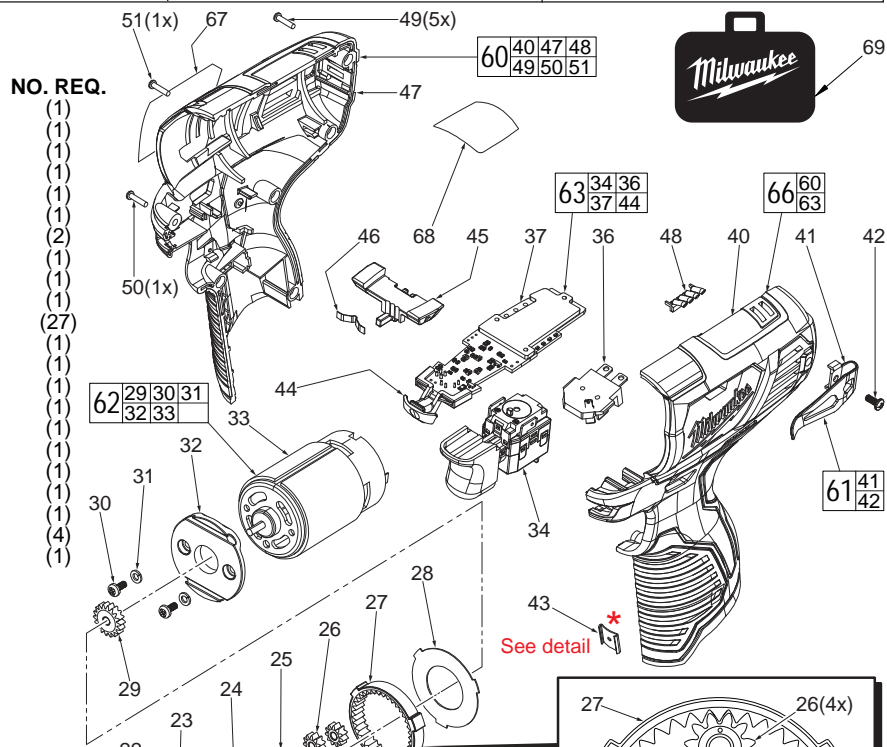
SERVICE PARTS LIST

BULLETIN NO.
54-26-2410

SPECIFY CATALOG NO. AND SERIAL NO. WHEN ORDERING PARTS		REVISED BULLETIN	DATE
M12™ 1/4" HEX IMPACT WRENCH			Feb. 2014
CATALOG NO.	2462-20	STARTING SERIAL NO.	F05A
		WIRING INSTRUCTION SEE PAGE 3	

EXAMPLE:
00 0 Component Parts (Small #) Are Included
When Ordering The Assembly (Large #).

FIG.	PART NO.	DESCRIPTION OF PART	NO. REQ.
1	-----	Retaining Ring	(1)
2	-----	Washer	(1)
3	-----	Spring	(1)
4	-----	Sleeve	(1)
5	14-30-0135	Gearcase Assembly with Bushing	(1)
8	45-88-2135	Nylon Ring	(1)
9	02-02-0170	3.5mm Steel Ball	(2)
10	-----	1/4" Hex Anvil	(1)
11	02-02-1300	5.0mm Steel Ball	(1)
12	-----	Hammer	(1)
13	-----	3.0mm Steel Ball	(27)
14	-----	Washer	(1)
15	-----	Compression Spring	(1)
16	-----	Retaining Ring	(1)
17	-----	Washer	(1)
18	-----	Washer	(1)
19	-----	Ball Bearing	(1)
20	-----	Gear Housing	(1)
21	-----	4.7mm Steel ball	(1)
22	-----	Cam Shaft	(1)
23	-----	2nd Stage Planet Gear	(4)
24	-----	2nd Stage Ring Gear	(1)



59	12	13	14	15	16	17	18	19	20
	21	22	23	24	25	26	27	28	

NOTE: Impact Assembly #59 comes completely assembled and lubricated.

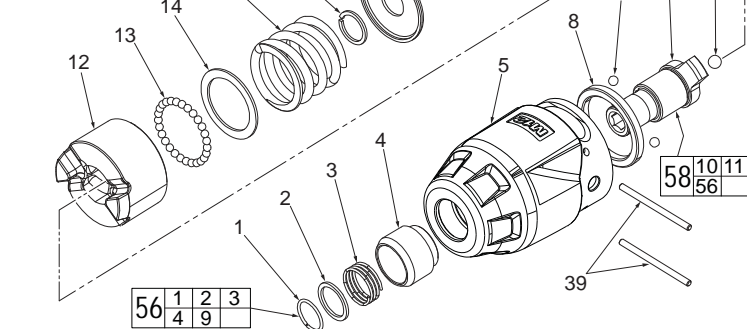
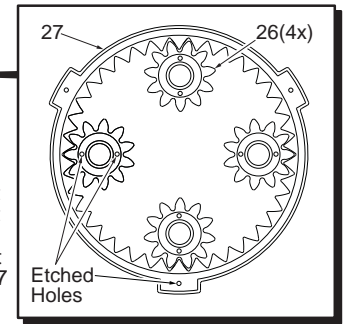


FIG.	PART NO.	DESCRIPTION OF PART	NO. REQ.
25	-----	2nd Stage Sun Gear and Carriage	(1)
26	-----	1st Stage Planet Gear	(4)
27	-----	1st Stage Ring Gear	(1)
28	-----	Washer	(1)
29	-----	Motor Pinion	(1)
30	-----	M3.0 Screw	(2)
31	-----	Lock Washer	(2)
32	-----	Motor Mounting Bracket	(1)
33	-----	Motor	(1)
34	-----	Switch	(1)
36	-----	Battery Contact Plate	(1)
37	-----	PCBA	(1)
38	06-65-0022	M2.5 x 30mm Pin	(2)
39	06-65-0502	M2.5 x 36.7mm Pin	(2)
40	-----	Left Handle Halve	(1)
41	-----	Belt Clip	(1)
42	-----	M3.0 Screw	(1)
43	42-70-0055	Housing Connection Clip	(1)

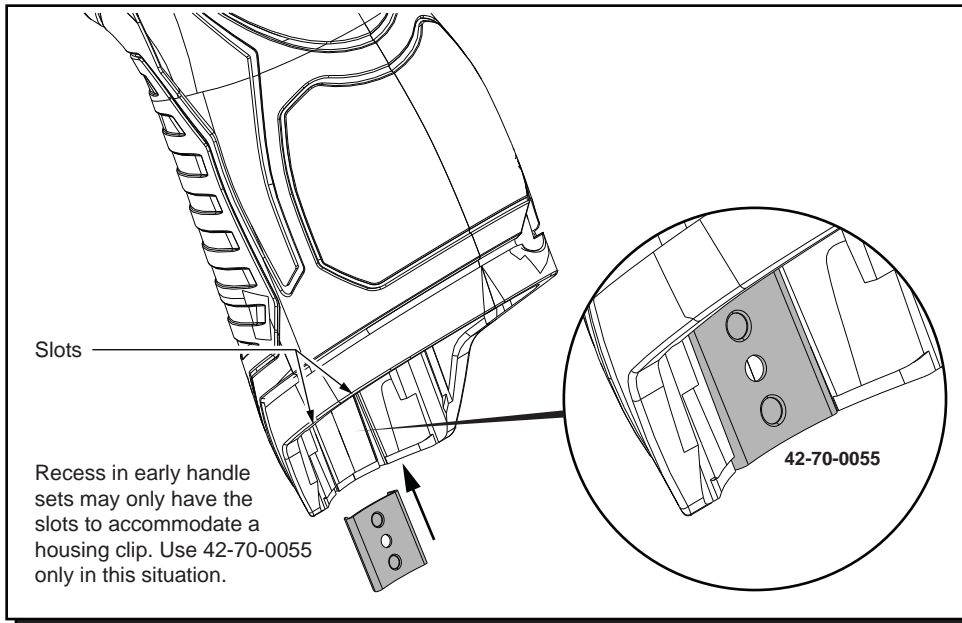
IMPORTANT:
If during Motor replacement the gearing from the Impact Assembly becomes dislodged, it is to be noted that the Ring Gears #24 and #27 and the Planet Gears #23 and #26 look the same but are different! The 1st stage gearing (26 and 27) are marked with etched holes as shown. The 2nd stage gearing will not have these markings.



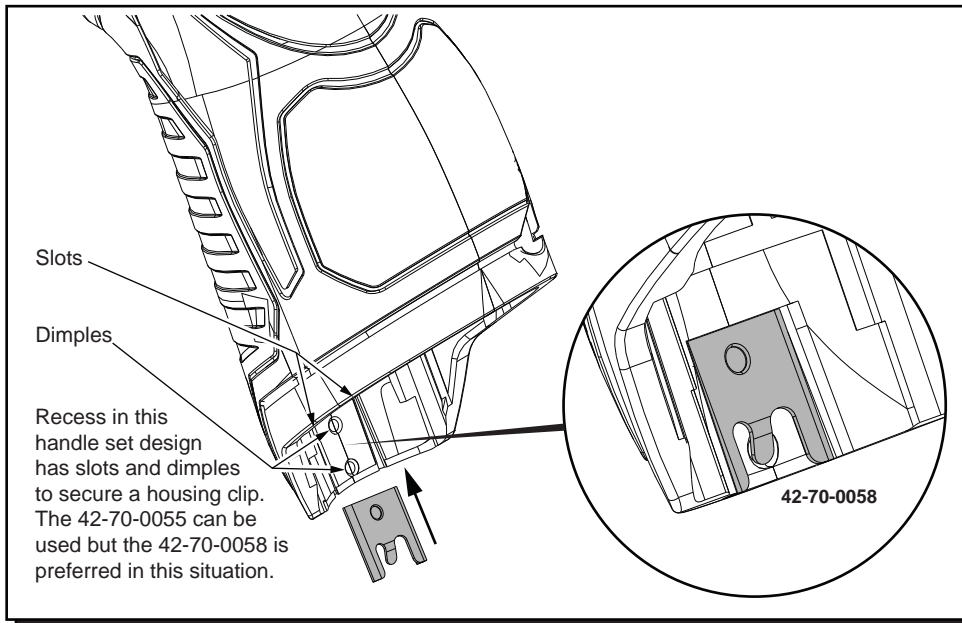
***** Original Design 42-70-0055 Improved Design 42-70-0058
M12™ tools utilize two different Housing Connection Clip designs depending on the Handle Set. See page two for details.

FIG.	PART NO.	DESCRIPTION OF PART	NO. REQ.
44	-----	LED Lens	(1)
45	45-24-0077	Forward/Reverse Shuttle	(1)
46	40-50-1135	Spring Plate	(1)
47	-----	Right Handle Halve	(1)
48	31-01-0003	Light Pipe	(1)
49	06-82-1080	M3 x 14mm Pan Hd. Plast. T-10 Screw	(5)
50	06-82-6350	M3 x 16mm Pan Hd. Plast. T-10 Screw	(1)
51	06-82-7336	M3 x 20mm Pan Hd. Plast. T-10 Screw	(1)
56	45-22-0035	Sleeve and Ball Assembly	(1)
58	42-06-1015	Sleeve and 1/4" Hex Anvil Assembly	(1)
59	14-29-0032	Impact Assembly	(1)
60	31-50-0005	Handle Set	(1)
61	42-70-0490	Belt Clip Assembly	(1)
62	23-30-0430	Motor Assembly	(1)
63	23-66-0212	Electronics Assembly	(1)
66	31-50-0315	Handle/Electronics Assembly	(1)
67	12-20-2485	Service Nameplate	(1)
68	10-20-2952	Warning Label	(1)
69	42-55-2461	Carrying Case	(1)

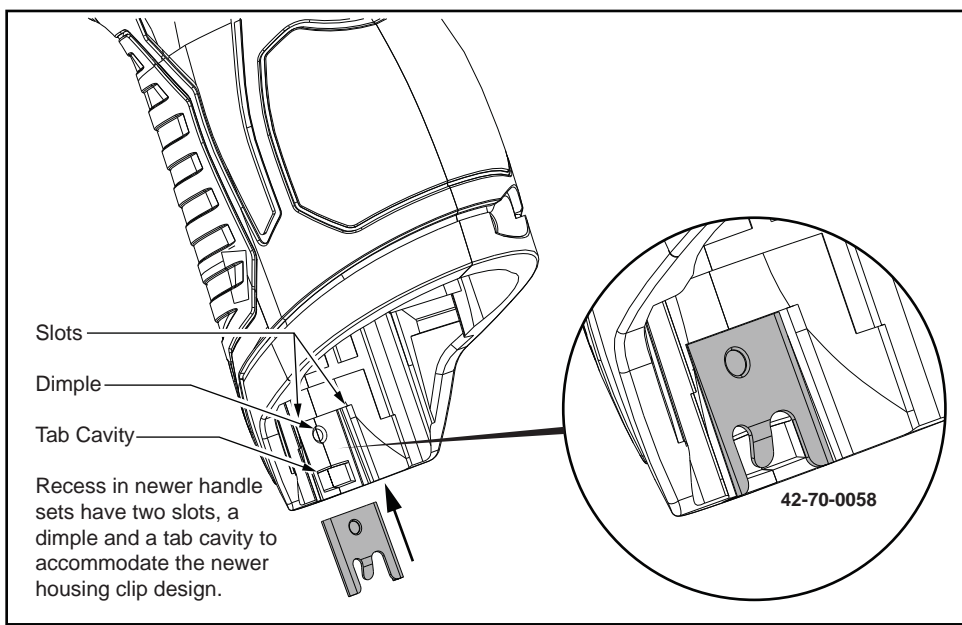
FIG. LUBRICATION (Type 'J' Grease, No. 49-08-4220):
5 Coat inside of bushing inside front gearcase with grease.
10 Lightly coat front washer surface of anvil (10) with grease.
29 Coat pinion of motor assembly (62) with grease.



Early M12™ Handle Sets utilize **Housing Connection Clip No. 42-70-0055**. Install this clip design by aligning the side rails of the clip with the two slots in the handle set. Gently push into place with the aid of a small flat blade screwdriver or a similar instrument. Be sure that the clip is properly seated in both slots and that the clip is flush to sub-flush to the end of the handle set. To remove the clip, use the same small flat blade screwdriver or a similar instrument and push the clip out of the handle set. If the clip is loose or will not stay in place, a needle nose pliers can be used to gently bend/pinch the side rails of the clip. If the clip is damaged do not use, replace with a new 42-70-0055 housing clip.



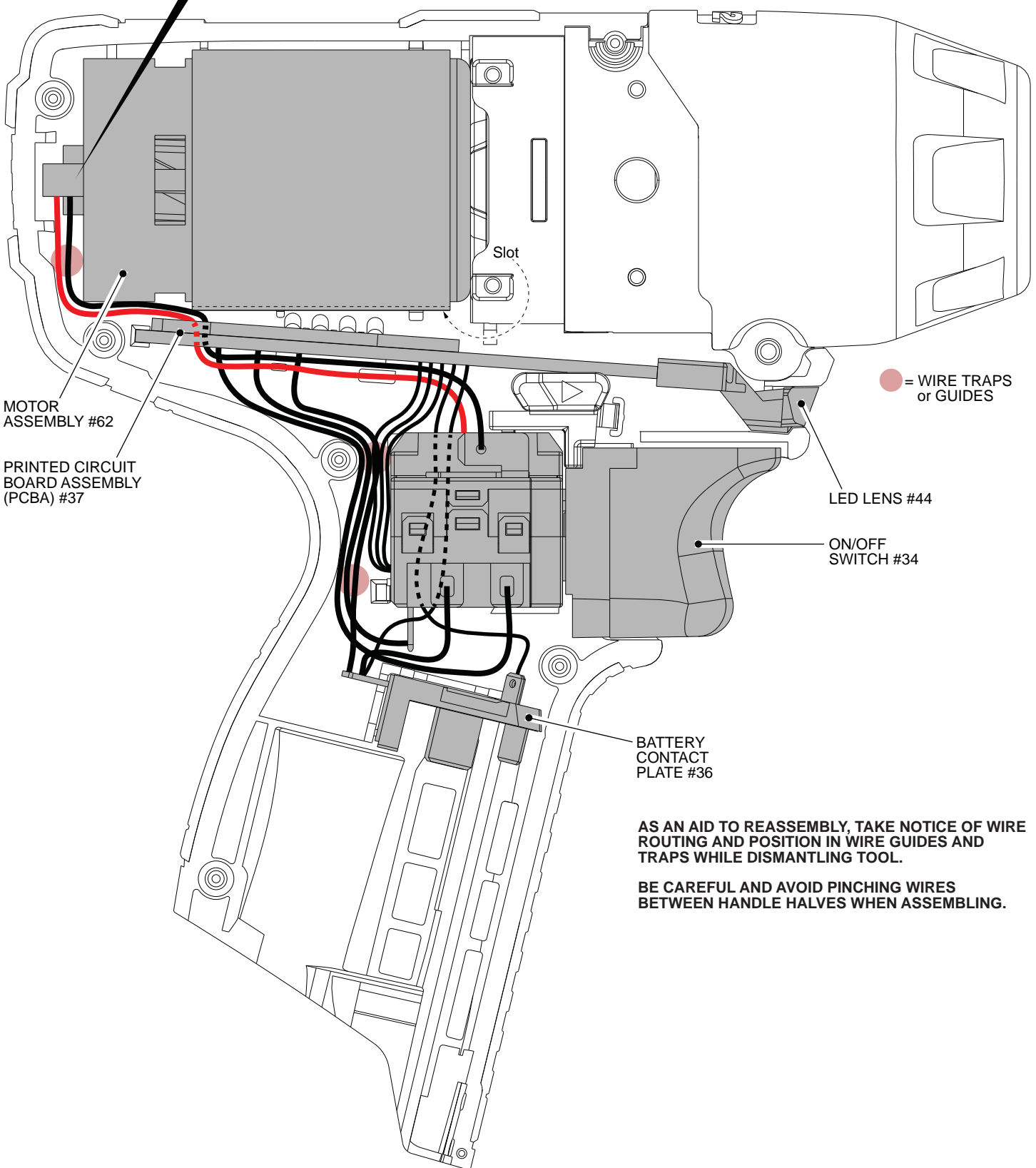
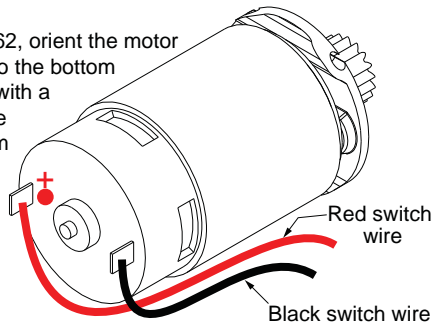
Updated M12™ Handle Sets utilize **Housing Connection Clips No. 42-70-0055 and 42-70-0058. (The 42-70-0058 is a preferred upgrade)**. Install this clip design by aligning the side rails of the clip with the two slots in the handle set. Gently push into place with the aid of a small flat blade screwdriver or a similar instrument. Be sure that the clip is properly seated in both slots and that the tab of the clip snaps down in the round dimpled cavity of the handle set. Be sure that the clip is flush to sub-flush to the end of the handle set. To remove the clip, use the same small flat blade screwdriver or a similar instrument and lift up on the clip tab while pushing the clip out of the handle set. Use a needle nose pliers to gently rebend the clip tab if necessary. If the tab on the clip is damaged during this process and is loose or will not stay in place, replace with a new 42-70-0058 clip.



Newer M12™ Handle Sets utilize **Housing Connection Clip No. 42-70-0058**. Install this clip design by aligning the side rails of the clip with the two slots in the handle set. Gently push into place with the aid of a small flat blade screwdriver or a similar instrument. Be sure that the clip is properly seated in both slots and that the tab of the clip snaps down in the rectangular cavity of the handle set. Be sure that the clip is flush to sub-flush to the end of the handle set. To remove the clip, use the same small flat blade screwdriver or a similar instrument and lift the clip tab out of the cavity while pushing the clip out of the handle set. Use a needle nose pliers to gently rebend the clip tab if necessary. If the tab on the clip is damaged during this process and is loose or will not stay in place, replace with a new 42-70-0058 clip.

NOTE:

When installing Motor Assembly #62, orient the motor with the slot in the motor canister to the bottom and the positive terminal (marked with a red dot) to the inside of Left Handle Halve #40. Solder the red wire from the top left position of the switch to the positive motor terminal. Solder the black wire from the top right position of the switch to the negative terminal on motor.



● = WIRE TRAPS or GUIDES

AS AN AID TO REASSEMBLY, TAKE NOTICE OF WIRE ROUTING AND POSITION IN WIRE GUIDES AND TRAPS WHILE DISMANTLING TOOL.

BE CAREFUL AND AVOID PINCHING WIRES BETWEEN HANDLE HALVES WHEN ASSEMBLING.