

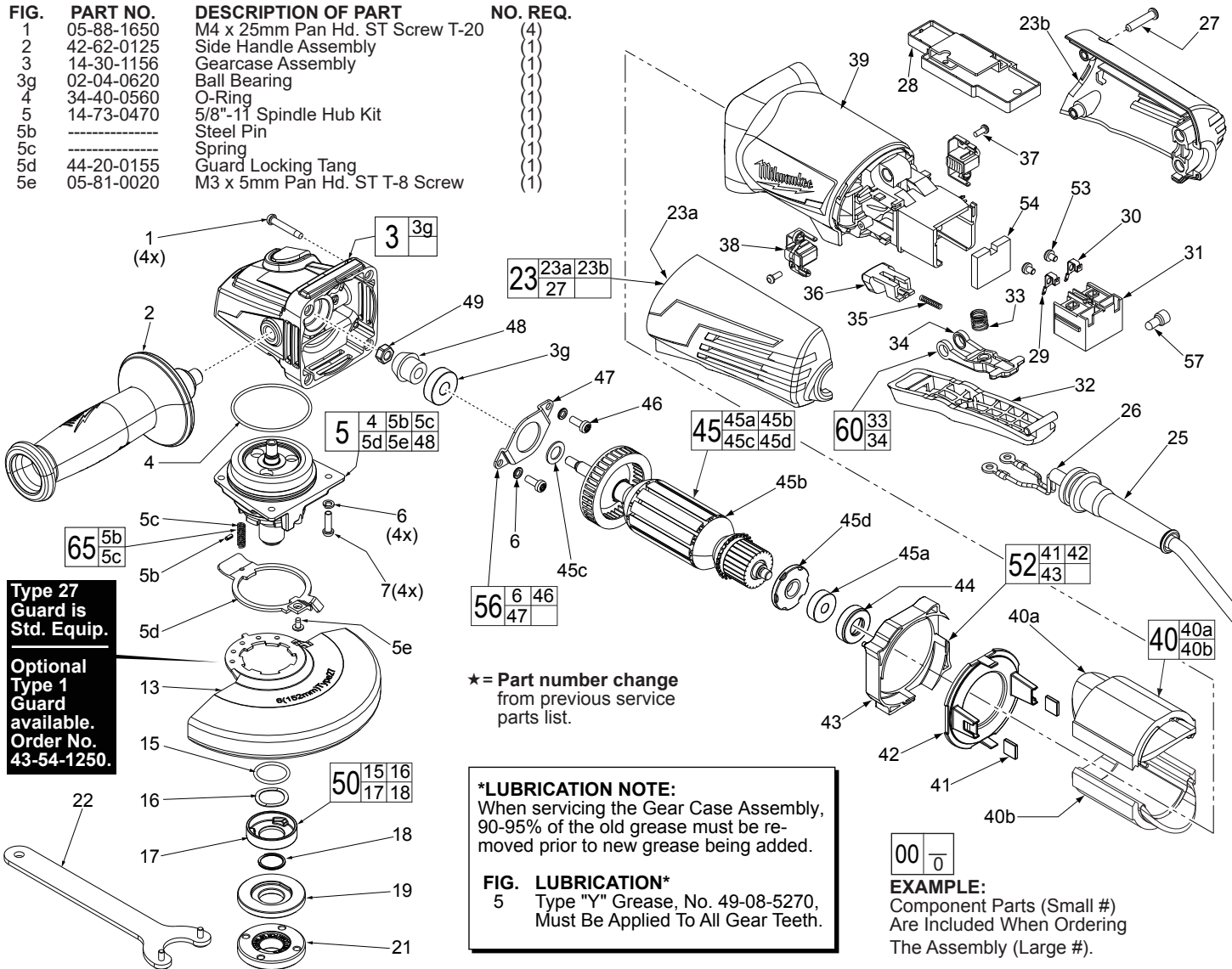


SERVICE PARTS LIST

BULLETIN NO.
54-38-2253

SPECIFY CATALOG NO. AND SERIAL NO. WHEN ORDERING PARTS		REVISED BULLETIN 54-38-2252	DATE Feb. 2023
6" HP ANGLE GRINDER with PADDLE SWITCH with lock-on		WIRING INSTRUCTION See Reverse Side	
CAT. NO.	6161-30	STARTING SERIAL NUMBER	D07E

FIG.	PART NO.	DESCRIPTION OF PART	NO. REQ.
1	05-88-1650	M4 x 25mm Pan Hd. ST Screw T-20	(4)
2	42-62-0125	Side Handle Assembly	(1)
3	14-30-1156	Gearcase Assembly	(1)
3g	02-04-0620	Ball Bearing	(1)
4	34-40-0560	O-Ring	(1)
5	14-73-0470	5/8"-11 Spindle Hub Kit	(1)
5b	-----	Steel Pin	(1)
5c	-----	Spring	(1)
5d	44-20-0155	Guard Locking Tang	(1)
5e	05-81-0020	M3 x 5mm Pan Hd. ST T-8 Screw	(1)



* = Part number change from previous service parts list.

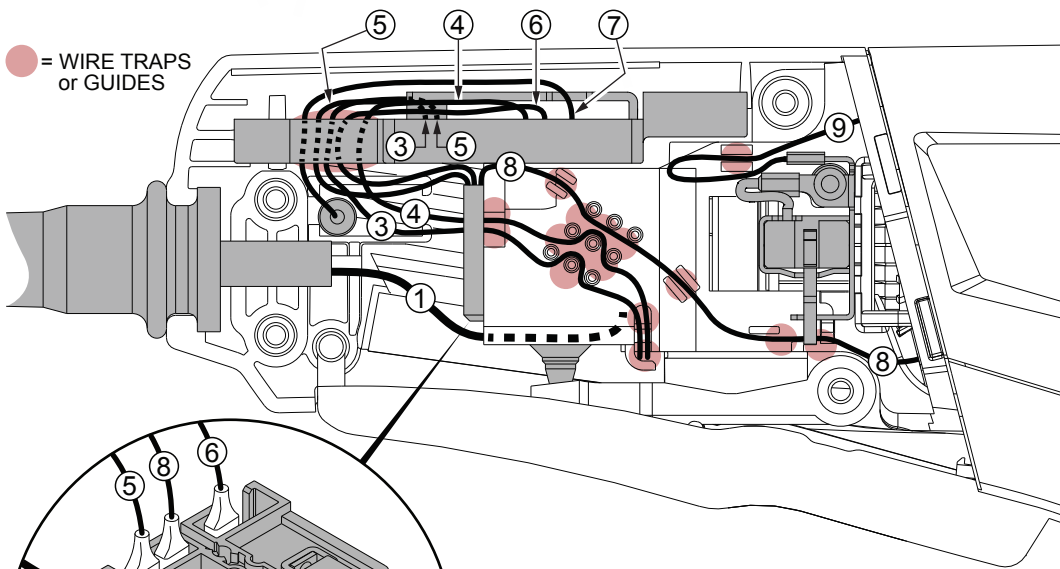
***LUBRICATION NOTE:**
When servicing the Gear Case Assembly, 90-95% of the old grease must be removed prior to new grease being added.

FIG. LUBRICATION*
5 Type "Y" Grease, No. 49-08-5270, Must Be Applied To All Gear Teeth.

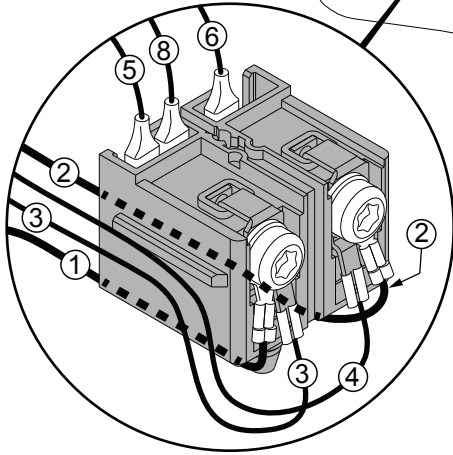
EXAMPLE:
Component Parts (Small #) Are Included When Ordering The Assembly (Large #).

FIG.	PART NO.	DESCRIPTION OF PART	NO. REQ.
6	05-90-0225	Spring Washer	(6)
7	05-78-5316	M4 x 14mm Pan Hd. Tapt. Screw T-20	(4)
13	28-41-0034	6" Type 27 Guard (Standard Equip.)	(1)
	43-54-1250	6" Type 1 Guard (Optional, Not Shown)	(1)
15	-----	O-Ring	(1)
16	-----	Wavy Spring	(1)
17	-----	Flange with Ramps	(1)
18	-----	Retaining Ring	(1)
19	43-34-0935	Inner Disc Flange	(1)
21	44-40-0035	Outer Flange Nut	(1)
22	49-96-7215	Spanner Wrench	(1)
23	31-44-0645	Rear Handle Set	(1)
23a	-----	Left Handle Halve	(1)
23b	-----	Right Handle Halve	(1)
25	44-76-0095	Cord Protector	(1)
26	22-64-3430	Power Cord	(1)
27	05-88-1300	M4 x 28mm Pan Hd. ST Screw T-20	(4)
*28	22-09-1845	PCB Assembly	(1)
29	23-74-1620	Terminal	(1)
30	23-74-1615	Terminal	(1)
31	23-66-2665	On-Off Switch	(1)
32	31-92-0275	Paddle Trigger	(1)
33	-----	Paddle Trigger Spring	(1)
34	-----	Paddle Linkage	(1)
35	40-50-1155	Lock Button Spring	(1)
36	42-42-0495	Lock-On Button	(1)
37	05-88-0030	M3 x 8.5mm Pan Hd. ST Screw T-10	(2)
38	22-18-2250	Carbon Brush Assembly (Set of 2)	(1)
39	31-50-2165	Motor Housing	(1)
40	18-07-0300	Field Assembly	(1)

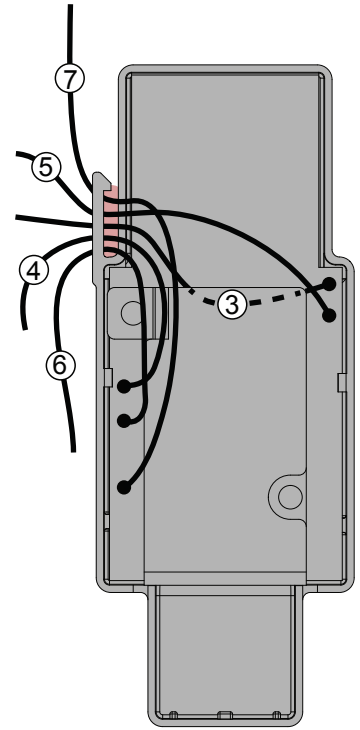
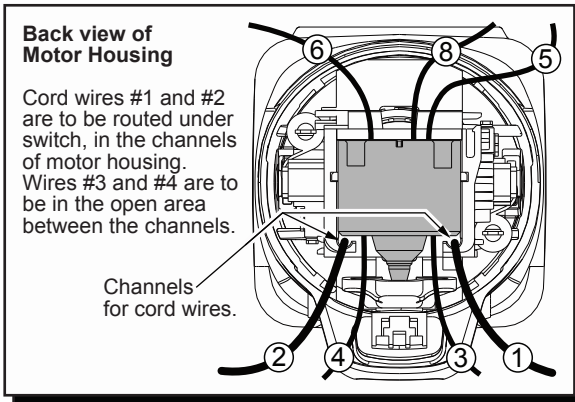
FIG.	PART NO.	DESCRIPTION OF PART	NO. REQ.
40a	-----	Field Halve	(1)
40b	-----	Field Halve	(1)
41	42-28-0085	Rubber Block	(2)
42	-----	Baffle Foot	(1)
43	-----	Baffle	(1)
44	42-96-0016	Rubber Bearing Cap	(1)
45	16-10-0845	Armature Assembly	(1)
45a	02-04-2110	Ball Bearing	(1)
45b	-----	Armature	(1)
45c	45-88-0406	Washer	(1)
45d	-----	Magnetic Disc	(1)
46	05-78-0105	M4 x 10mm Pan Hd. Tapt. Screw T-20	(2)
47	44-86-0155	Bearing Retainer	(1)
48	-----	Pinion	(1)
49	05-55-0620	M5 Hex Nut	(1)
50	14-46-6105	Flange with Ramps Assembly	(1)
52	42-14-0515	Baffle Assembly	(1)
53	05-78-0305	M3.5 x 7mm Pan Hd. Phil. Switch Scr.	(2)
54	23-16-0075	Foam Block	(1)
56	44-86-0145	Bearing Retaining Plate Assembly	(1)
57	22-56-0150	Closed End Wire Connector	(1)
60	14-46-6100	Paddle Linkage/Spring Service Kit	(1)
65	14-46-0241	Spring/Pin Kit	(1)
	12-20-1560	Service Nameplate (Not Shown)	(1)
	10-20-2225	Bi-Lingual Warning Label (Not Shown)	(1)



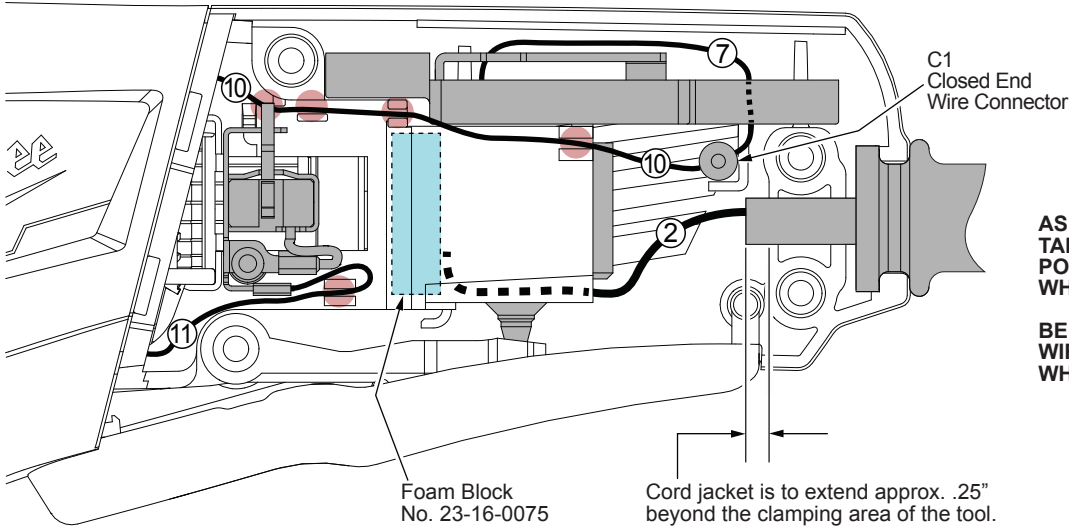
● = WIRE TRAPS or GUIDES



Attach all wires to the switch as shown prior to inserting switch into the motor housing. Be sure that foam block is seated in the switch opening of motor housing before switch is installed.



Top view of PCB Assembly



AS AN AID TO REASSEMBLY, TAKE NOTICE OF WIRE ROUTING AND POSITION IN WIRE GUIDES AND TRAPS WHILE DISMANTLING TOOL.

BE CAREFUL AND AVOID PINCHING WIRES BETWEEN HANDLE HALVES WHEN ASSEMBLING.

WIRING SPECIFICATIONS

Wire No.	Wire Color	Origin or Part No.	Gauge	Length	Terminals, Connectors and End Wire Preparation
1	Black	22-64-3430	--	--	Component of Cord Set. Connect to Switch.
2	White	22-64-3430	--	--	Component of Cord Set. Connect to Switch.
3	Black	22-09-1865	--	--	Component of PCBA. Connect to Switch.
4	White	22-09-1865	--	--	Component of PCBA. Connect to Switch.
5	Black	22-09-1865	--	--	Component of PCBA. Connect to Switch.
6	White	22-09-1865	--	--	Component of PCBA. Connect to Switch.
7	Red	22-09-1865	--	--	Component of PCBA. Connect to C1 with wire #10.
8	Black	18-07-0300	--	--	Component of Field. Connect to Switch.
9	Black	18-07-0300	--	--	Component of Field. Connect to Right Brush Assy.
10	Black	18-07-0300	--	--	Component of Field. Connect to C1 with wire #7.
11	Black	18-07-0300	--	--	Component of Field. Connect to Left Brush Assy.

BULK LEAD WIRE - BULLETIN 58-01-0003

NOTE:

All leads must be held to ± 1/16". All lead lengths are before stripping.

TERMINAL DESCRIPTION

Code	Part No.	Qty.

CONNECTOR DESCRIPTION

C1	22-56-0150	1
----	------------	---