



SERVICE PARTS LIST

BULLETIN NO.
54-40-5465

SPECIFY CATALOG NO. AND SERIAL NO. WHEN ORDERING PARTS		REVISED BULLETIN	DATE
FOLDING TABLE SAW STAND			Mar. 2019
CATALOG NO. 48-08-0561	SERIAL NUMBER J94A	WIRING INSTRUCTION	

EXAMPLE:
Component Parts (Small #) Are Included
When Ordering The Assembly (Large #).

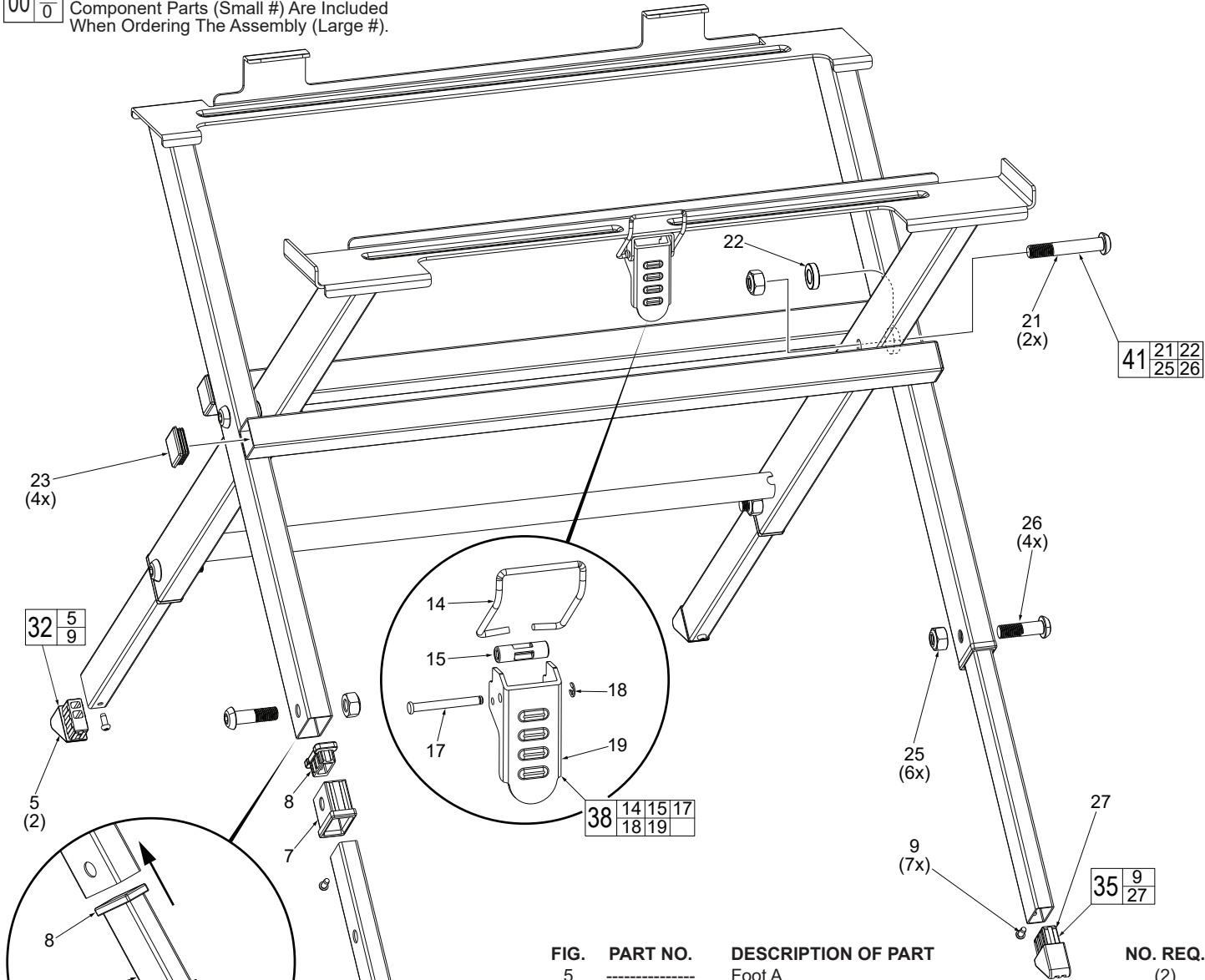


FIG.	PART NO.	DESCRIPTION OF PART	NO. REQ.
5	-----	Foot A	(2)
7	-----	Plastic Cushion B	(4)
8	-----	Plastic Cushion A	(4)
9	-----	M4 x 10mm Pan Head Phillips Screw	(7)
12	-----	M6 Hex Nut	(1)
13	-----	Adjustment Foot	(1)
14	-----	Latch Wire	(1)
15	-----	Latch Sleeve	(1)
17	-----	Latch Pin	(1)
18	-----	E-Retaining Ring	(1)
19	-----	Latch Lever	(1)
21	-----	M10 x 60mm Pan Head Screw, 6mm Hex	(2)
22	-----	Plastic Washer	(2)
23	-----	Tube Cap	(4)
25	-----	M10 Hex Nut with Nylon	(6)
26	-----	M10 x 35mm Pan Head Screw, 6mm Hex	(4)
27	-----	Foot B	(1)
32	42-38-0011	Foot A Service Kit	(2)
34	42-38-0013	Adjustment Foot Service Kit	(1)
35	42-38-0016	Foot B Service Kit	(1)
38	42-70-0032	Latching Service Kit	(1)
39	12-20-0171	Service Nameplate (Not Shown)	(1)
40	45-76-0029	Adjustable Foot Tubing Assembly	(1)
41	14-46-0126	Hardware Kit	(1)