



# SERVICE PARTS LIST

**BULLETIN NO.**  
**54-49-0250**

SPECIFY CATALOG NO. AND SERIAL NO. WHEN ORDERING PARTS			REVISED BULLETIN	DATE
<b>46" 16 DRAWER STEEL STORAGE CABINET &amp; CHEST COMBO</b>				Sep. 2016
			WIRING INSTRUCTION	
<b>CHEST CATALOG NO.</b>	<b>48-22-8510</b>	<b>SERIAL NUMBER</b>	<b>G54A</b>	
<b>CABINET CATALOG NO.</b>	<b>48-22-8520</b>	<b>SERIAL NUMBER</b>	<b>G55A</b>	

●14-46-1607  
**Hardware Kit**

5	-----	Screw M4 x 10L	(8)
8	-----	Screw M4 x 10L	(8)
11	-----	Bolt M6 x 15L	(4)
18	-----	Bolt M6 x 15L	(8)
22	-----	Bolt M8 x 15L	(16)
23	-----	Washer M8	(16)
--	-----	Charger Mounting Screw M4 x 10L	(4)

00/0

**EXAMPLE:**  
Component Parts (Small #) Are Included  
When Ordering The Assembly (Large #).

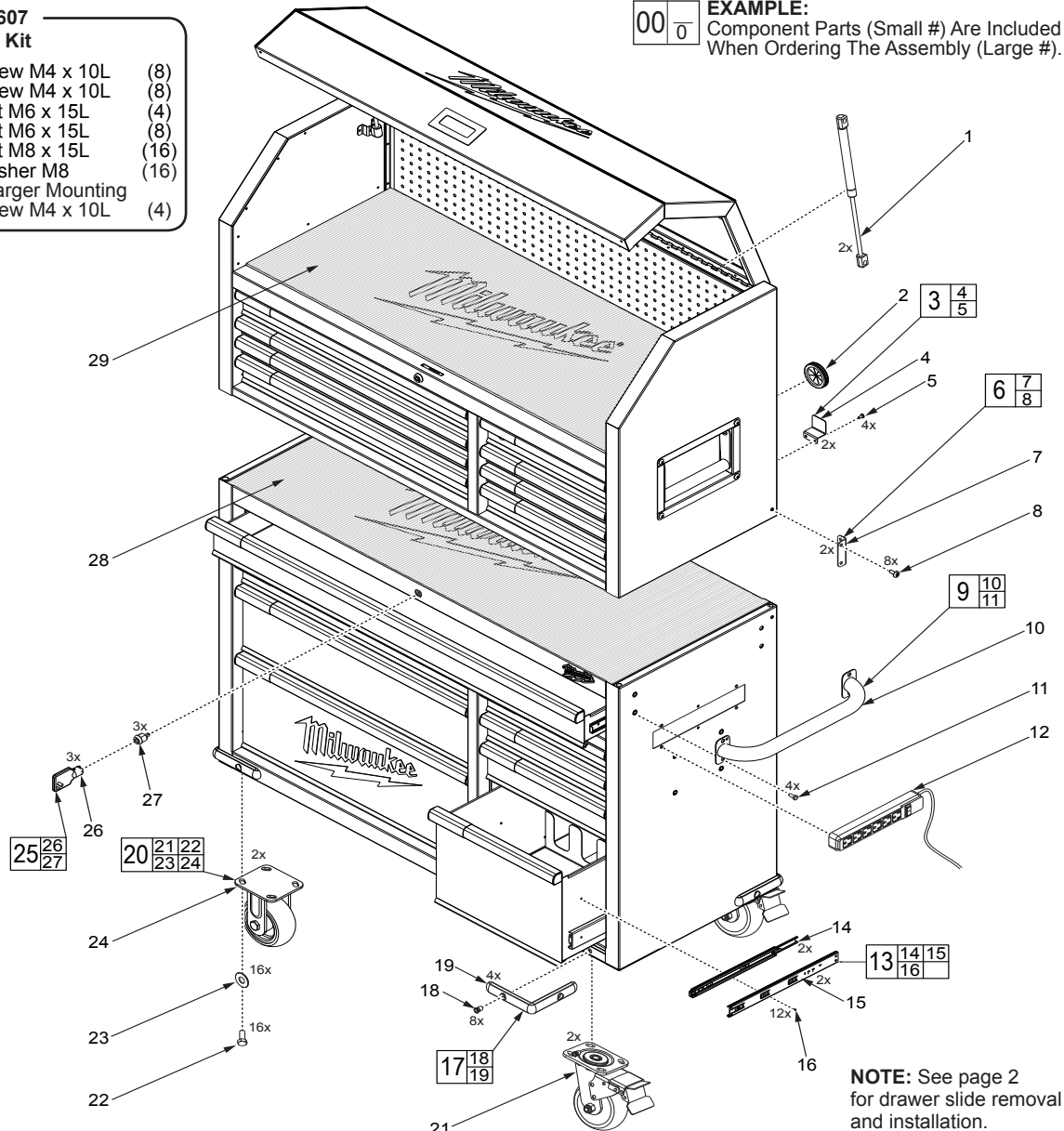
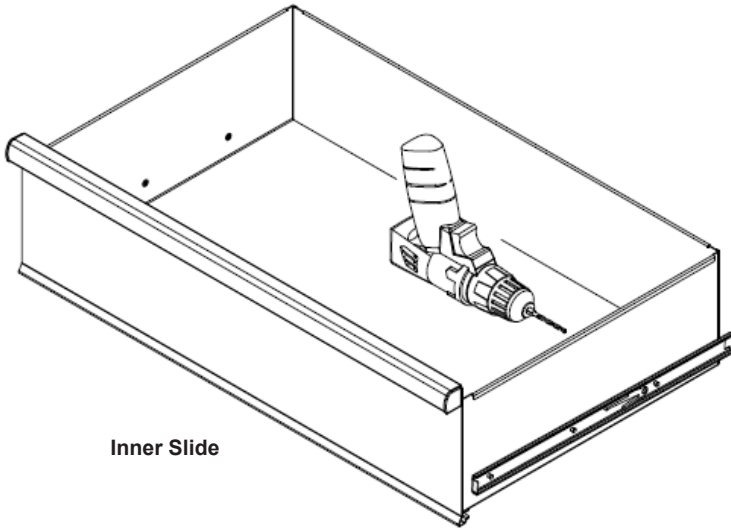


FIG.	PART NO.	DESCRIPTION OF PART	NO. REQ.
1	14-46-1265	Chest Lid Gas Lift (Set of 2)	(1)
2	22-90-0105	Cord Grommet	(2)
3	14-46-1645	Cord Storage Bracket Kit	(1)
4	-----	Cord Storage Bracket	(2)
5	-----	Screw M4 x 10L	(4)
6	14-46-1305	Bracket Kit (Set of 2)	(1)
7	-----	Bracket	(2)
8	-----	Screw M4 x 10L	(8)
9	14-46-1295	Side Handle Kit	(1)
10	-----	Side Handle	(1)
11	-----	Bolt M6 x 15L	(4)
12	14-46-1235	Power Strip	(2)
13	14-46-1285	Drawer Slide Kit (Set of 2)	(1)
14	-----	Inner Drawer Slide	(2)
15	-----	Outer Drawer Slide	(2)
16	-----	5/32" Pop Rivet	(12)
17	42-38-0265	Corner Bumper Kit (Set of 4)	(1)
18	-----	Bolt M6 x 15L	(8)

FIG.	PART NO.	DESCRIPTION OF PART	NO. REQ.
19	-----	Corner Bumper	(4)
20	14-46-1245	Caster Kit (Set of 4)	(1)
21	-----	Swivel Caster with Brake	(2)
22	-----	Bolt M8 x 15L	(16)
23	-----	Washer M8	(16)
24	-----	Rigid Caster	(2)
25	14-46-1255	Key/Lock Kit (Set of 3)	(1)
26	-----	Key	(3)
27	-----	Lock	(3)
28	42-38-0155	Cabinet Mat	(1)
29	42-38-0145	Chest Mat	(1)
	58-95-0085	Chest Drawer Liner Kit (Set of 8) (Not Shown)	(1)
	58-95-0095	Cabinet Drawer Liner Kit (Set of 8) (Not Shown)	(1)

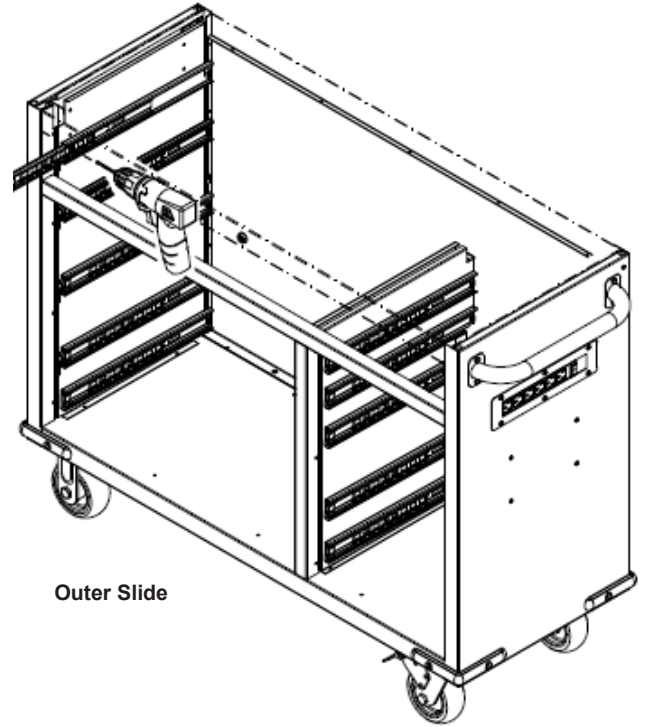
**FIG. NOTES**  
12 A second power strip is located on the inside of the top chest.

Cat. No. 48-22-8520 shown



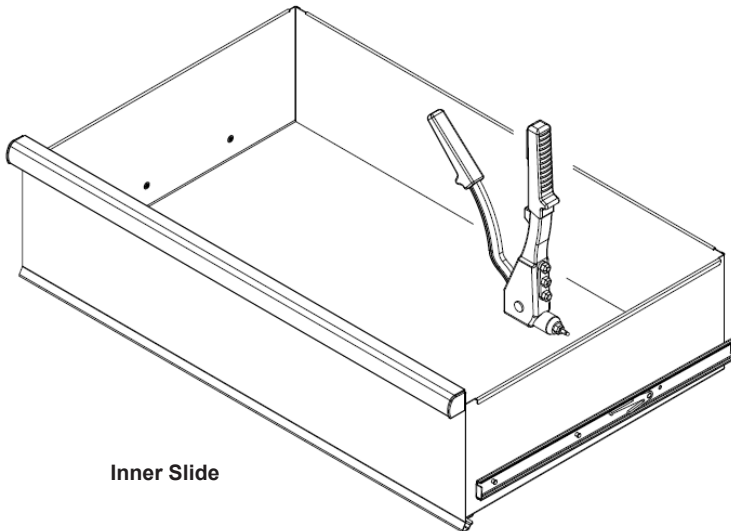
Inner Slide

To remove drawer slide, remove rivets (16) from the inner slide (14) and outer slide (15) by 5/32" drill bit.

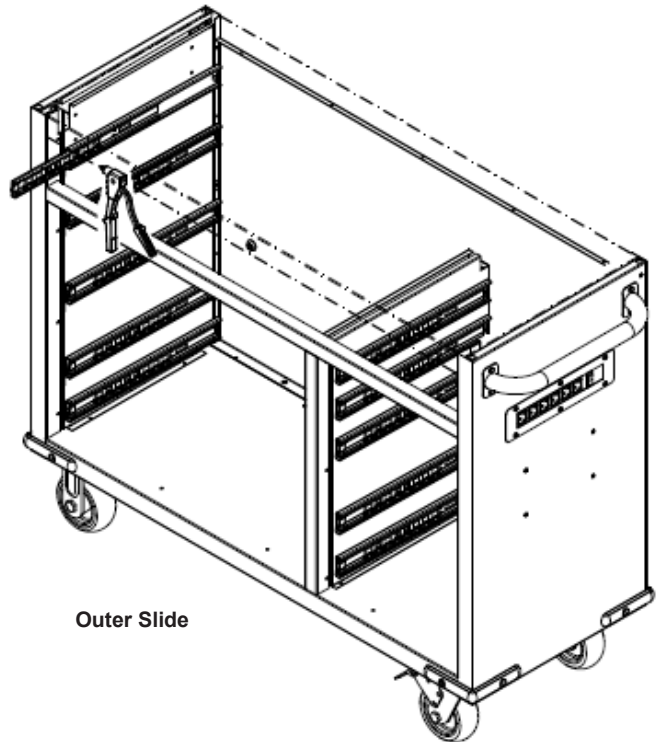


Outer Slide

To install drawer slide, place inner slide (14) into position and insert rivets (16) by using a rivet gun. Repeat steps for outer slide (15).



Inner Slide



Outer Slide