



# SERVICE PARTS LIST

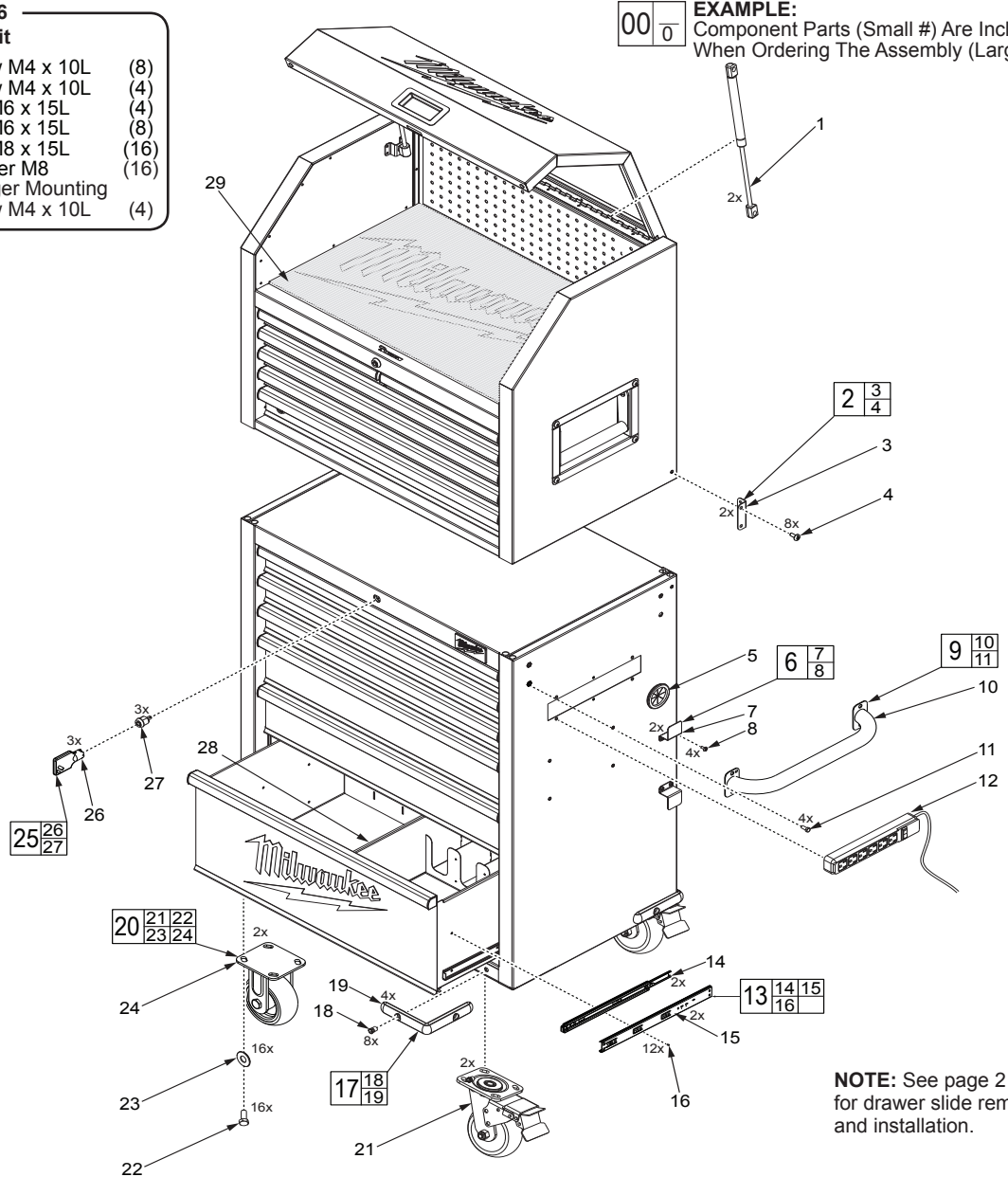
**BULLETIN NO.**  
54-49-0260

| SPECIFY CATALOG NO. AND SERIAL NO. WHEN ORDERING PARTS |                           | REVISED BULLETIN   | DATE      |
|--|---------------------------|--------------------|-----------|
| <b>30" STEEL STORAGE CABINET &amp; CHEST COMBO</b>     |                           |                    | Sep. 2016 |
| <b>CATALOG NO. 48-22-8530</b>                          | <b>SERIAL NUMBER H24A</b> | WIRING INSTRUCTION |           |

●14-46-1606  
**Hardware Kit**

|    |       |                                 |      |
|----|-------|---------------------------------|------|
| 4  | ----- | Screw M4 x 10L                  | (8)  |
| 8  | ----- | Screw M4 x 10L                  | (4)  |
| 11 | ----- | Bolt M6 x 15L                   | (4)  |
| 18 | ----- | Bolt M6 x 15L                   | (8)  |
| 22 | ----- | Bolt M8 x 15L                   | (16) |
| 23 | ----- | Washer M8                       | (16) |
| -- | ----- | Charger Mounting Screw M4 x 10L | (4)  |

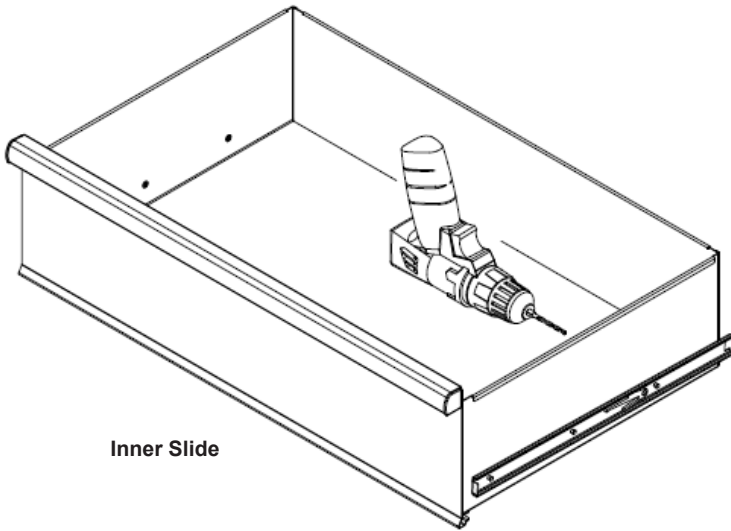
**EXAMPLE:**  
Component Parts (Small #) Are Included When Ordering The Assembly (Large #).



**NOTE:** See page 2 for drawer slide removal and installation.

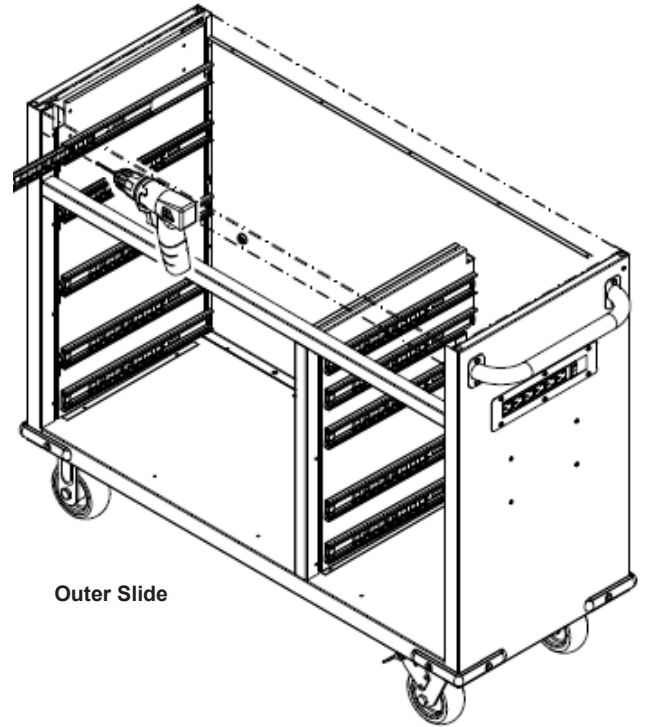
| FIG. | PART NO.   | DESCRIPTION OF PART           | NO. REQ. | FIG. | PART NO.   | DESCRIPTION OF PART                             | NO. REQ. |
|------|------------|-------------------------------|----------|------|------------|---|----------|
| 1    | 14-46-1605 | Chest Lid Gas Lift (Set of 2) | (1)      | 17   | 42-38-0265 | Corner Bumper Kit (Set of 4)                    | (1)      |
| 2    | 14-46-1305 | Bracket Kit (Set of 2)        | (1)      | 18   | -----      | Bolt M6 x 15L                                   | (8)      |
| 3    | -----      | Bracket                       | (2)      | 19   | -----      | Corner Bumper                                   | (4)      |
| 4    | -----      | Screw M4 x 10L                | (8)      | 20   | 14-46-1245 | Caster Kit (Set of 4)                           | (1)      |
| 5    | 22-90-0105 | Cord Grommet                  | (1)      | 21   | -----      | Swivel Caster w/ Brake                          | (2)      |
| 6    | 14-46-1645 | Cord Storage Bracket Kit      | (1)      | 22   | -----      | Bolt M8 x 15L                                   | (16)     |
| 7    | -----      | Cord Storage Bracket          | (2)      | 23   | -----      | Washer M8                                       | (16)     |
| 8    | -----      | Screw M4 x 10L                | (4)      | 24   | -----      | Rigid Caster                                    | (2)      |
| 9    | 14-46-1295 | Side Handle Kit               | (1)      | 25   | 14-46-1255 | Key/Lock Kit (Set of 3)                         | (1)      |
| 10   | -----      | Side Handle                   | (1)      | 26   | -----      | Key   | (3)      |
| 11   | -----      | Bolt M6 x 15L                 | (4)      | 27   | -----      | Lock  | (3)      |
| 12   | 14-46-1235 | Power Strip                   | (1)      | 28   | 31-21-0105 | Center Divider                                  | (1)      |
| 13   | 14-46-1285 | Drawer Slide Kit (Set of 2)   | (1)      | 29   | 42-38-0245 | Chest Mat                                       | (1)      |
| 14   | -----      | Inner Drawer Slide            | (2)      |      | 42-38-0255 | Cabinet Mat (Not Shown)                         | (1)      |
| 15   | -----      | Outer Drawer Slide            | (2)      |      | 58-95-0165 | Chest Drawer Liner Kit (Set of 6) (Not Shown)   | (1)      |
| 16   | -----      | 5/32" Pop Rivet               | (12)     |      | 58-95-0170 | Cabinet Drawer Liner Kit (Set of 6) (Not Shown) | (1)      |

Cat. No. 48-22-8520 shown



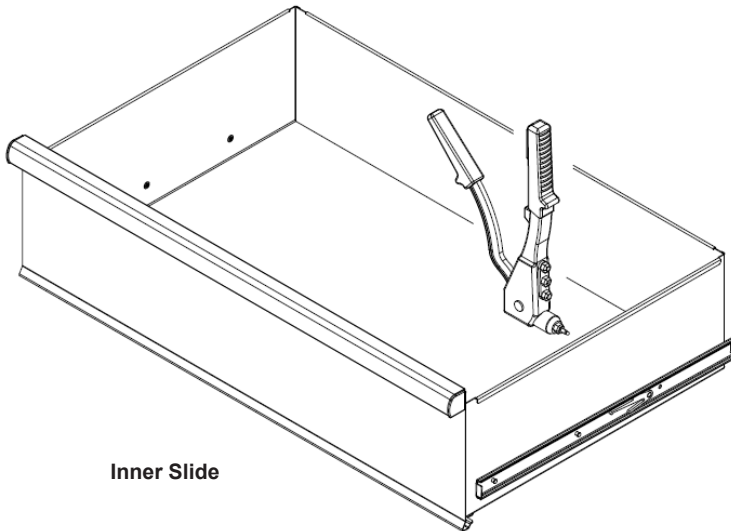
Inner Slide

To remove drawer slide, remove rivets (16) from the inner slide (14) and outer slide (15) by 5/32" drill bit.

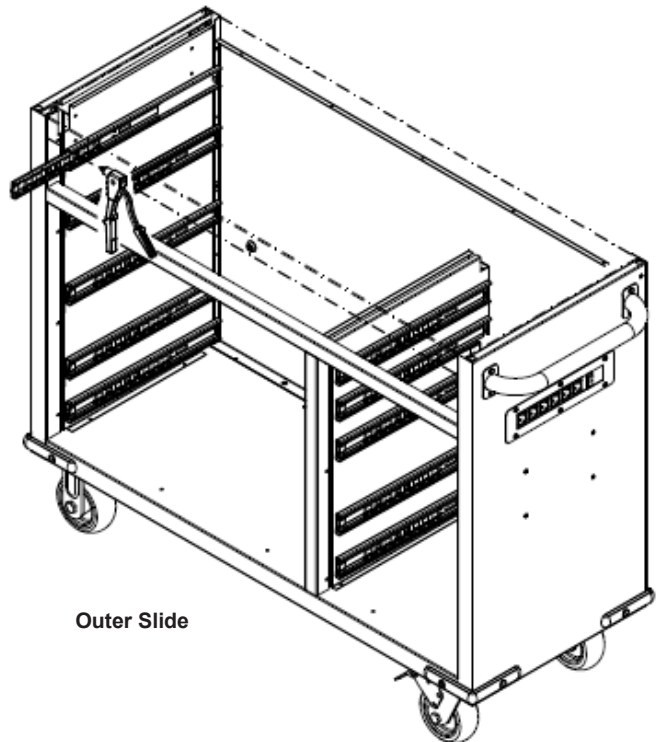


Outer Slide

To install drawer slide, place inner slide (14) into position and insert rivets (16) by using a rivet gun. Repeat steps for outer slide (15).



Inner Slide



Outer Slide