



SERVICE PARTS LIST

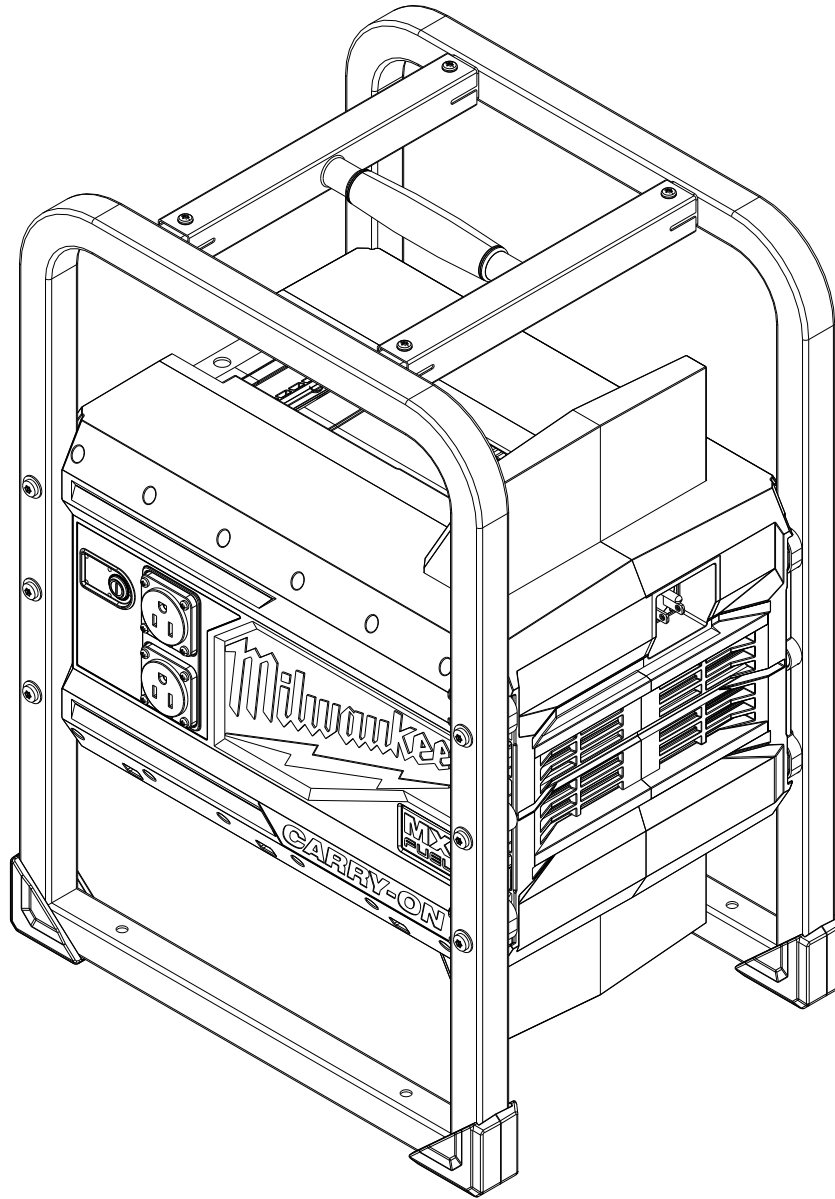
**BULLETIN NO.
54-QC-9000**

SPECIFY CATALOG NO. AND SERIAL NO. WHEN ORDERING PARTS		REVISED BULLETIN	DATE
MX FUEL Portable Power Supply			Jan. 2021
CATALOG NO.	MXF002	SERIAL NUMBER	K23A
		WIRING INSTRUCTION	

EXAMPLE:

00	0
----	---

 Component Parts (Small #) Are Included
 When Ordering The Assembly (Large #).



PART NO.	DESCRIPTION OF PART	NO. REQ.
12-20-0363	Service Nameplate	(1)

Service for Milwaukee Tool MX FUEL Products
Please Call: 1-833-953-2010