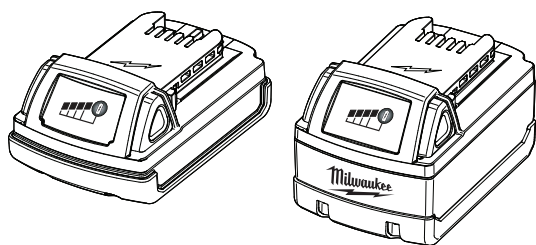
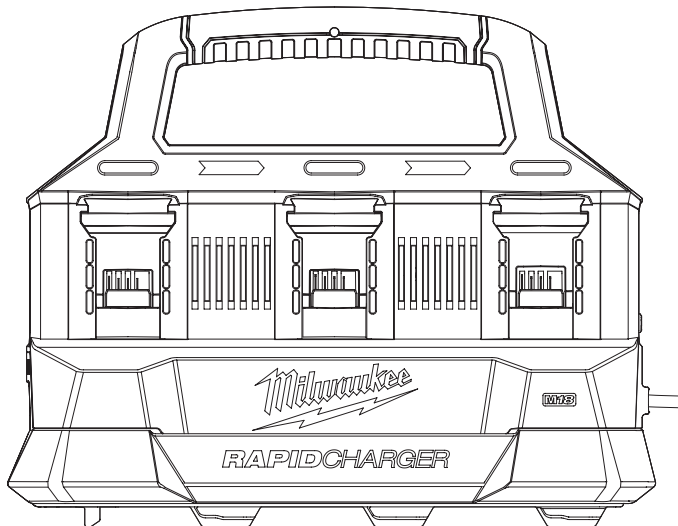




OPERATOR'S MANUAL
MANUEL de L'UTILISATEUR
MANUAL del OPERADOR



New batteries must be charged before first use.

Les batteries neuves doivent être chargées avant leur utilisation initiale.

Las baterías nuevas se deben cargar antes de usarlas por primera vez.

Cat. No. / No de Cat.
48-59-1809

M18™ PACKOUT™ SIX BAY RAPID CHARGER
M18™ LI-ION BATTERY PACKS

CHARGEUR RAPIDE À SIX BAIES M18™ PACKOUT™
BLOCS DE BATTERIES LI-ION M18™

CARGADOR RÁPIDO DE SEIS BAHÍAS M18™ PACKOUT™
BATERÍAS DE IONES DE LITIO M18™



WARNING To reduce the risk of injury, user must read and understand operator's manual.

AVERTISSEMENT Afin de réduire le risque de blessures, l'utilisateur doit lire et bien comprendre le manuel.

ADVERTENCIA Para reducir el riesgo de lesiones, el usuario debe leer y entender el manual.

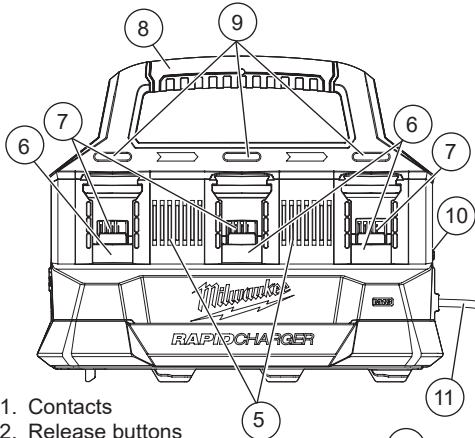
IMPORTANT SAFETY INSTRUCTIONS - SAVE THESE INSTRUCTIONS -

WARNING READ AND UNDERSTAND ALL INSTRUCTIONS. Failure to follow all instructions listed below, may result in electric shock, fire and/or serious personal injury.

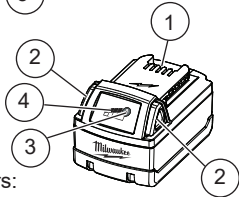
- 1. SAVE THESE INSTRUCTIONS** - This manual contains important safety and operating instructions for the MILWAUKEE Li-Ion charger and MILWAUKEE Li-Ion batteries.
- 2. Before using the battery and charger, read this operator's manual, tool's operator's manual, and all labels on the battery, charger and tool.**
- 3. CAUTION** Use MILWAUKEE Li-Ion batteries only on recommended MILWAUKEE Li-Ion products (i.e., M18™ batteries with M18™ charger/tools, M12™ batteries with M12™ charger/tools). Do not use counterfeit, aftermarket, or "knockoff" batteries or chargers. Other battery types could explode. Do not wire a battery to a power supply plug or car cigarette lighter.
- 4. Keep batteries out of the reach of children.**
- 5. Avoid dangerous environments.** Do not expose to or charge in rain, moisture, snow, damp, or wet locations. Do not use battery or charger in the presence of explosive atmospheres (gaseous fumes, dust or flammable materials). Sparks may be generated when inserting or removing battery, possibly causing fire.
- 6. Only charge in a well ventilated area and within the Recommended Ambient Charging Temperature range.** Do not block vents; keep them clear for proper ventilation. Do not allow smoking or open flames near a charging battery. Vented gases may explode.
- 7. Maintain charger cord.** Pull plug rather than cord to unplug. Never carry charger by its cord. Keep cord from heat, oil and sharp edges. Ensure cord will not be stepped on, tripped over, damaged, or stressed. Do not use charger with damaged cord or plug. Replace damaged cords immediately.
- 8. Avoid using an extension cord when possible.** When unavoidable, use an extension cord in good electrical condition with the proper wire gauge and length for the current rating of the charger. The pin size and shape must match the pins on the charger cord.
- 9. Charger is rated for 120-127 V AC ONLY.** Charger must be plugged into an appropriate receptacle.
- 10. Use only recommended attachments.**
- 11. Unplug charger and remove batteries** when not in use.
- 12. Always unplug charger before cleaning or maintenance.** Do not allow water to flow into AC/DC plug. Use a Ground Fault Circuit Interrupter (GFCI) to reduce shock hazards.
- 13. Do not burn, incinerate, or expose batteries to fire or excessive temperatures above 265°F (130°C).** Batteries may explode. Toxic fumes and materials are created when batteries are burned.
- 14. Do not crush, drop, shred, modify, or damage battery. Always securely contain batteries during transport.** Do not use a battery that has received a sharp blow, been dropped, run over, or damaged in any way (e.g., pierced with a nail, hit with a hammer, stepped on, in a vehicle accident).







Do not use or charge batteries that appear damaged or swollen, or are not functioning properly. Damaged or modified batteries may exhibit unpredictable behavior.
- 15. Do not disassemble or attempt to repair batteries or chargers.** No internal serviceable parts. Take batteries/chargers that have been damaged, broken, or need repair to a MILWAUKEE service facility to ensure the safety of the product is maintained.
- 16. Battery chemicals cause serious burns.** Never allow contact with skin, eyes, or mouth. If a damaged battery leaks battery chemicals, use rubber or neoprene gloves to dispose of it. If skin is exposed to battery fluids, wash with soap and water and rinse with vinegar. If eyes are exposed to battery chemicals, immediately flush with water for 20 minutes and seek medical attention.
- 17. Do not short circuit.** A short-circuited battery pack may cause fire, personal injury, and product damage. A battery pack will short circuit if a metal object makes a connection between the positive and negative contacts on the battery pack. Do not place a battery pack near anything that may cause a short circuit (e.g., coins, keys, nails, or small metal objects in a pocket, toolbox, or drawer).
- 18. Do not allow fluids to flow into battery pack.** Corrosive or conductive fluids, such as seawater, certain industrial chemicals, and bleach or bleach-containing products, etc., can cause a short circuit. Do not use battery packs that have been exposed to these types of fluids.
- 19. Battery packs marked as Resistant** are suitable for environments where incidental contact or exposure to oils, greases, and solvents can occur. These packs are not resistant to acids or other corrosive chemicals. Never immerse or allow fluids to penetrate the battery pack.
- 20. Always use a side handle when using a HIGH OUTPUT or HIGH DEMAND battery pack 6.0 Ah or above;** the output torque of some tools may increase. If your drill/driver did not come with a side handle, visit the MILWAUKEE TOOL website for the appropriate accessory handle.
- 21. Store the battery pack and charger** in a cool, dry place. Do not store where temperatures may exceed 120°F (50°C) such as in direct sunlight, a vehicle, or metal building during the summer.
- 22. Always ship Li-Ion batteries in accordance with the current regulations governing the chosen mode of transport (e.g. ground, air, sea).** When in doubt, contact MILWAUKEE, the carrier or other trained Dangerous Goods professional to determine applicable regulations.
- 23. Do not mount vertically in vehicles.** Battery or charger damage could occur. See the instructions available on the PACKOUT™ Mounting Plate (48-22-8485) product page at www.milwaukeetool.com.
- 24. Maintain labels and nameplates.** These carry important information. If unreadable or missing, contact a MILWAUKEE service facility for a replacement.

FUNCTIONAL DESCRIPTION



1. Contacts
2. Release buttons
3. Fuel gauge button
4. Fuel gauge
5. Vents
6. Bays
7. Electrical contacts
8. Handle
9. Charger light indicators:









-  Continuous red: Charging
-  Slow flashing green: Approaching full charge
-  Continuous green: Charging is complete
-  Slow flashing red: Battery charge is pending - Charging will begin when the first pack is fully charged
-  Fast flashing red: Battery and/or charger is too hot/cold - Charging will begin when battery and/or charger reach correct charging temperature
-  Flashing red/green: Damaged or faulty battery pack and/or charger

10. USB-A charger
11. Cord

SPECIFICATIONS

Cat. No.	48-59-1809
Input Volts	120-127 AC
Max Input Amps	5.5 AC
Output Volts	18 DC
Max Output Amps	6 DC
Recommended Ambient Charging Temperature	40°F to 104°F (5°C à 40°C)
M18™ Li-Ion Battery Packs	18 V DC

SYMBOLOLOGY

-  Volts
-  Direct Current
-  Alternating Current
-  Double Insulated
-  Properly Recycle Batteries
- BFP** Backfeed Protected
- Hz** Hertz
- A** Amps
-  UL Listing for Canada and U.S.

BATTERY OPERATION

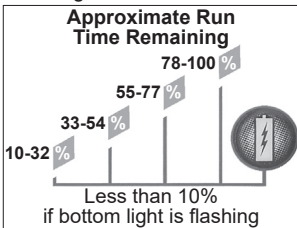
Fuel Gauge

Compared to NiCd battery pack types, MILWAUKEE Li-Ion battery packs deliver fade-free power for their entire run time. The tool will not experience a slow, gradual loss of power during use.

Use the fuel gauge to determine the battery pack's remaining run time. Press the fuel gauge button to display the lights. The fuel gauge will light up for 2-3 seconds. To signal the end of discharge, 1 light

on the fuel gauge will flash quickly for 2-3 seconds and the tool will not run. Charge the battery pack. An alternating blinking pattern indicates that an error or overtemperature state was encountered. Allow the battery pack to cool and reinsert. If the pattern continues, contact a MILWAUKEE service facility. If the fuel gauge doesn't appear to be working, place the battery pack on the charger and charge as needed.

Immediately after using the battery pack, the fuel gauge may display a lower charge than it will if checked a few minutes later. The battery cells "recover" some of their charge after resting.



Battery Pack Protection

To protect itself from damage and extend its life, the battery pack's intelligent circuit monitors current draw and temperature. In extremely high torque, binding, stalling, and short circuit situations, the battery pack will turn OFF the tool if the current draw becomes too high. All the fuel gauge lights will flash. Release the trigger and restart.

Under extreme circumstances, the internal temperature of the battery could become too high. If this happens, the fuel gauge lights will flash in an alternating pattern and the product will not run. Allow the battery to cool down.

Fuel Gauge Lights	Diagnosis	Solution
Lights 1 - 4 Solid	Remaining run time	Continue working
1 Light, flashing slowly	Less than 10% run time left	Prepare to charge pack
1 Light, flashing quickly	End of discharge	Charge pack
Lights 1-4, flashing quickly	Current draw too high	Release trigger and restart, reduce pressure
Lights 1&3 / 2&4, flashing alternately	Battery temperature too high	Release trigger and allow battery to cool

Cold Weather Operation

MILWAUKEE Li-Ion battery packs are designed to operate in temperatures below freezing. When the battery pack is too cold, it may need to warm up before normal use. Put the battery on a product and use the product in a light application.

It may "buzz" for a short time until it warms up. When the buzzing stops, use the tool normally.

Transport

The regulations pertaining to the transport of Li-Ion batteries are affected by whether the battery is transported in a personal vehicle or offered for shipment via a commercial carrier. Always ship Li-Ion batteries in accordance with the current regulations governing the chosen mode of transport (e.g. ground, air, sea). When in doubt, contact MILWAUKEE, the carrier or other trained Dangerous Goods professional to determine applicable regulations.

The personal transport of Li-Ion battery packs is allowed when done in accordance with these warnings and instructions. When shipping Li-Ion batteries with a commercial carrier, they are shipped under classification UN 3480 (battery only) or UN 3481 (batteries contained in or packed with equipment). The proper packaging, labeling, marking, and documentation requirements are generally dependent upon whether the particular batteries are rated greater than or less than 100 Wh. Often, Li-Ion batteries rated 100 Wh or less are "excepted" from certain shipping regulations. In the U.S., products shipped via ground transport may be "excepted" from certain hazardous material shipping regulations if they are under 300Wh.

⚠️ WARNING To reduce the risk of injury or explosion, never burn or incinerate a battery pack even if it is damaged, dead, or completely discharged. When burned, toxic fumes and materials are created.

Disposing of MILWAUKEE Li-Ion Battery Packs

MILWAUKEE Li-Ion battery packs are more environmentally friendly than some other types of battery packs (e.g., nickel-cadmium). Always dispose of battery packs according to federal, state and local regulations. Contact a local recycling agency for recycling locations.

Even discharged battery packs contain some energy. Before disposing, use electrical tape to cover the terminals to prevent the battery pack from shorting, which could cause a fire or explosion.

RBRC Battery Recycling Seals

The RBRC™ Battery Recycling Seals (see the Symbology section) on battery packs indicates that MILWAUKEE has arranged for recycling with the Rechargeable Battery Recycling Corporation (RBRC). At the end of its useful life, return the battery pack to a MILWAUKEE Branch Office/Service Center or a participating retailer. For more information, visit the RBRC web site at www.rbrc.org.

CHARGER OPERATION

WARNING Charge only MILWAUKEE M18™ Li-Ion batteries in this MILWAUKEE Li-Ion charger. Other types of batteries may cause personal injury and damage.

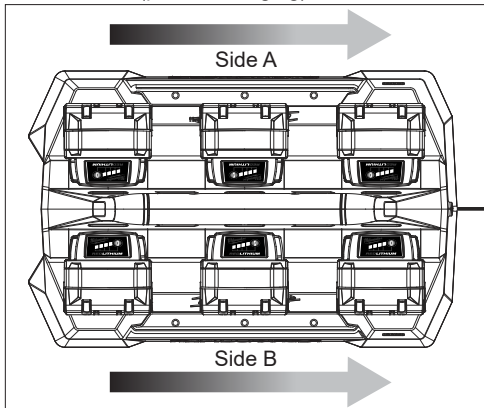
When to Charge the Battery Pack with this MILWAUKEE Charger

Remove the battery pack from the product for charging when convenient for you and your job. MILWAUKEE batteries do not develop a "memory" when charged after only a partial discharge. It is not necessary to run down the battery pack before placing it on the charger.

- Use the fuel gauge to determine when to charge your MILWAUKEE Li-Ion battery pack.
- The battery pack's charge can be "Topped-Off" before starting a big job or long day of use.
- The only time it is necessary to charge the MILWAUKEE Li-Ion battery pack is when the battery pack has reached the end of its charge. To signal the end of charge, power to the product will drop quickly, allowing enough power to finish the operation. Charge the battery pack as needed.

How to Charge the Battery Pack

Align the battery pack with the bay and slide the battery pack into the charger as far as possible. The red light will come on, either flashing quickly (battery pack or charger is too hot or cold), flashing slowly (communication between pack and charger) or continuous (pack is charging).



- The 48-59-1809 can charge two batteries at a time, one on each side of the charger. It will then charge any other attached batteries in sequence, following the direction of arrows on the charger.
- If batteries are inserted on a charger that is already plugged into power, the first battery inserted will charge first. The direction of arrows on the charger indicates the next battery to be charged.
- If batteries are inserted on a charger before it is plugged into power, the direction of arrows on the charger indicates the order of charge.

- Charge time depends on capacity of battery pack. Heavily cycled batteries may take longer to charge completely.
- On M18™ battery packs, the fuel gauge lights are displayed as the pack is being charged, indicating how fully charged the pack is. The fuel gauge will turn off when charging is complete.
- After charging is complete, the continuous green light will come on.
- If the light indicator flashes red and green or does not come on, check that the battery pack is fully seated into the bay. Remove the battery pack and reinsert. If the problem persists, remove pack(s) and unplug charger for at least 2 minutes. After 2 minutes, plug charger back in and insert pack. If the problem continues, contact a MILWAUKEE service facility.

Charging a Hot or Cold Battery Pack

The Charging a Hot or Cold Battery Pack. The charger has advanced electronics that adjust the charge rate based on battery temperature. Hot or cold batteries may take longer to charge. When the battery pack temperature is outside the normal charging range, the red light will flash and the battery will not charge. Once the battery pack is within the acceptable range, normal charging will take place and the red light will be continuous. This optimizes charge time and battery life.

Battery Pack Temperature	Red Charger Indicator Light	Charging Status
Too Hot	Fast Flashing	Not charging
Normal Range	Continuous	Normal charging
Too Cold	Fast Flashing	Not charging

Powering the Charger with an Inverter or Generator

The charger will operate with most 120-127 V generators and inverters rated at 500 Watts or higher.

USB Power Outlet

This outlet can be used to charge a cell phone, power an MP3 player or any other device that uses less than 2.1 A of DC electrical current.

NOTE: Any device that uses more than 2.1 A of DC electrical current will trip a self-resetting overload and disable the output.

MAINTENANCE

WARNING To reduce the risk of fire, personal injury, and product damage due to a short circuit, never immerse a tool, battery pack or charger in fluid or allow a fluid to flow inside them. Corrosive or conductive fluids, such as seawater, certain industrial chemicals, and bleach or bleach containing products, etc., can cause a short circuit.

Always unplug the charger and remove the battery from the charger before performing any maintenance. Never disassemble the battery or charger. Contact a MILWAUKEE service facility for ALL repairs.

Do not expose battery packs, chargers or tools to fluids, water, or rain, or allow them to get wet. This could damage the tool, charger, and/or battery pack. Clean out dust and debris from tool, charger and battery vents and electrical contacts by vacuuming or brushing. Clean housings with a damp, soapy cloth, keeping away from all electrical contacts. Certain cleaners and solvents, such as gasoline, turpentine, lacquer thinner, paint thinner, bleach, chlorinated cleaning solvents, ammonia and household detergents containing ammonia, are harmful to plastics and other insulated parts; plastic casings will become brittle and crack. Never use flammable or combustible solvents around batteries, charger, or tools.

Storage

As a general practice, it is best to unplug chargers and remove battery packs when not in use, however, no damage to the battery pack will occur. Store at room temperature away from moisture. Store batteries upright. Do not store in damp locations where corrosion of terminals may occur. Storing in high temperatures (over 120°F) for long periods can result in permanent capacity loss for any battery. Charge before use after storing for long periods.

Repairs

No serviceable parts.

SERVICE - UNITED STATES

1-800-SAWDUST (1.800.729.3878)

Monday-Friday, 7:00 AM - 6:30 PM CST
or visit www.milwaukeeetool.com

Contact Corporate After Sales Service Technical Support with technical, service/repair, or warranty questions.

Email: metproductsupport@milwaukeeetool.com

Become a Heavy Duty Club Member at www.milwaukeeetool.com to receive important notifications regarding your tool purchases.

SERVICE - CANADA

Milwaukee Tool (Canada) Ltd
1.877.948.2360

Monday-Friday, 7:00 AM - 4:30 PM CST
or visit www.milwaukeeetool.ca

LIMITED WARRANTY USA & CANADA

Every MILWAUKEE Battery Pack (sold with cordless product and/or as a replacement battery pack) is warranted to the original purchaser from an authorized MILWAUKEE distributor only to be free from defects in material and workmanship. Subject to certain exceptions, MILWAUKEE will repair or replace a battery pack which, after examination, is determined by MILWAUKEE to be defective in material or workmanship for the stated warranty period from date of purchase. Return of the battery pack to a MILWAUKEE factory Service Center location or MILWAUKEE Authorized Service Station, freight prepaid and insured, is required. For the proper shipping procedure of battery packs, contact 1.800.SAWDUST (1.800.729.3878), or go to www.milwaukeeetool.com. A copy of the proof of purchase should be included with the return product. This warranty does not apply to damage that MILWAUKEE determines to be from repairs made or attempted by anyone other than MILWAUKEE authorized personnel, misuse, alterations, abuse, normal wear and tear, lack of maintenance, or accidents.

Battery Pack Cat. No.	Chemistry	Warranty Period (from date of purchase)
48-11-1812, 48-11-1813, 48-11-1828 (Serial number prefix "B41E" and later), 48-11-1840, 48-11-1850, 48-11-1850R, 48-11-1860, 48-11-1861, 48-11-1865, 48-11-1880, 48-11-1881, 48-11-1890, 48-11-2402, 48-11-2440, 48-11-2450, 48-11-2460, 48-11-2830 (Serial number prefix "C71")	LITHIUM-ION	Three (3) Years
48-11-0490, 48-11-1815, 48-11-1820, 48-11-1835, 48-11-2001, 48-11-2330, 48-11-2401, 48-11-2420, 48-11-2425, 48-11-2430	LITHIUM-ION	Two (2) Years
48-11-1828 (Serial number prefix "B41D" and earlier), 48-11-1830 (Serial number prefix "A95"), 48-11-2830 (Serial number prefix "A71")	LITHIUM-ION	Two (2) Years - plus, Three (3) Years Pro-Rata (prorated)*
48-11-0100, 48-11-1024, 48-11-1830 (Serial number prefix "E95"), 48-11-1970, 48-11-2230	Nickel-Cadmium (Ni-Cd), Nickel-Metal-Hydride (Ni-MH), LITHIUM-ION	One (1) Year

*The warranty period for MILWAUKEE M18™ 48-11-1828 (with the serial number prefix "B41D" and earlier), V18™ 48-11-1830 (with the serial number prefix "A95"), and V28™ 48-11-2830 (with the serial number prefix "A71") is five (5) years / 2000 charges from the date of purchase, whichever first occurs. The first 1000 charges or 2 years of the warranty, whichever first occurs, are covered through free replacement of the defective battery. This means that for the earlier of the first 1000 charges or two (2) years from the date of purchase/first charge, a replacement battery will be provided to the customer for any defective battery free of charge. Thereafter, the remaining charges up to a total of 2000 or the remainder of the five (5) year period from the date of purchase, whichever first occurs, will be covered on a pro rata basis. This means that every customer gets an additional 1000 charges or three (3) years of pro rata warranty on the these battery packs, depending upon the amount of use. MILWAUKEE M18™ 48-11-1828 (with the serial number prefix "B41E" and later), V18™ 48-11-1830 (with the serial number prefix "E95"), and M28™ 48-11-2830 (with the serial number prefix "C71") have different warranty periods, as listed. Warranty Registration is not necessary to obtain the applicable warranty on a MILWAUKEE battery pack. The manufacturing date of the product will be used to determine the warranty period if no proof of purchase is provided at the time warranty service is requested. ACCEPTANCE OF THE EXCLUSIVE REPAIR AND REPLACEMENT REMEDIES DESCRIBED HEREIN IS A CONDITION OF THE CONTRACT FOR THE PURCHASE OF EVERY MILWAUKEE PRODUCT. IF YOU DO NOT AGREE TO THIS CONDITION, YOU SHOULD NOT PURCHASE THE PRODUCT. IN NO EVENT SHALL MILWAUKEE BE LIABLE FOR ANY INCIDENTAL, SPECIAL, CONSEQUENTIAL, OR PUNITIVE DAMAGES, OR FOR ANY COSTS, ATTORNEY FEES, EXPENSES, LOSSES OR DELAYS ALLEGED TO BE AS A CONSEQUENCE OF ANY DAMAGE TO, FAILURE OF, OR DEFECT IN ANY PRODUCT INCLUDING, BUT NOT LIMITED TO, ANY CLAIMS FOR LOSS OF PROFITS. SOME STATES DO NOT ALLOW THE EX-

CLUSION OR LIMITATION OF INCIDENTAL OR CONSEQUENTIAL DAMAGES, SO THE ABOVE LIMITATION OR EXCLUSION MAY NOT APPLY TO YOU. THIS WARRANTY IS EXCLUSIVE AND IN LIEU OF ALL OTHER EXPRESS WARRANTIES, WRITTEN OR ORAL, TO THE EXTENT PERMITTED BY LAW, MILWAUKEE DISCLAIMS ANY IMPLIED WARRANTIES, INCLUDING WITHOUT LIMITATION ANY IMPLIED WARRANTY OF MERCHANTABILITY OR FITNESS FOR A PARTICULAR USE OR PURPOSE; TO THE EXTENT SUCH DISCLAIMER IS NOT PERMITTED BY LAW, SUCH IMPLIED WARRANTIES ARE LIMITED TO THE DURATION OF THE APPLICABLE EXPRESS WARRANTY AS DESCRIBED ABOVE. SOME STATES DO NOT ALLOW LIMITATIONS ON HOW LONG AN IMPLIED WARRANTY LASTS, SO THE ABOVE LIMITATION MAY NOT APPLY TO YOU. THIS WARRANTY GIVES YOU SPECIFIC LEGAL RIGHTS, AND YOU MAY ALSO HAVE OTHER RIGHTS WHICH VARY FROM STATE TO STATE.

This warranty applies to product sold in the U.S.A. and Canada only. Please consult the 'Service Center Search' in the Parts & Service section of MILWAUKEE's website www.milwaukeeetool.com or call 1.800.SAWDUST (1.800.729.3878) to locate your nearest service facility for warranty and non-warranty service on a MILWAUKEE Battery Pack.

LIMITED WARRANTY USA & CANADA

This MILWAUKEE power tool* is warranted to the original purchaser from an authorized MILWAUKEE distributor only to be free from defects in material and workmanship. Subject to certain exceptions, MILWAUKEE will repair or replace any part on this power tool which, after examination, is determined by MILWAUKEE to be defective in material or workmanship for a period of five (5) years after the date of purchase unless otherwise noted. Return of the power tool to a MILWAUKEE factory Service Center location or MILWAUKEE Authorized Service Station, freight prepaid and insured, is required. A copy of the proof of purchase should be included with the return product. This warranty does not apply to damage that MILWAUKEE determines to be from repairs made or attempted by anyone other than MILWAUKEE authorized personnel, misuse, alterations, abuse, normal wear and tear, lack of maintenance, or accidents.

Normal Wear: Many power tools need periodic parts replacement and service to achieve best performance. This warranty does not cover repair when normal use has exhausted the life of a part including, but not limited to, chucks, brushes, cords, saw shoes, blade clamps, o-rings, seals, bumpers, driver blades, pistons, strikers, lifters, and bumper cover washers.

*This warranty does not cover battery packs or all power tools. Refer to the separate and distinct warranties available for those products. The warranty period for the LED in the LED Work Light (49-24-0171) and the LED Upgrade Bulb (49-81-0090) is the lifetime of the product subject to the limitations above. If during normal use the LED or LED Upgrade Bulb fails, the part will be replaced free of charge.

Warranty Registration is not necessary to obtain the applicable warranty on a MILWAUKEE power tool product. The manufacturing date of the product will be used to determine the warranty period if no proof of purchase is provided at the time warranty service is requested.

ACCEPTANCE OF THE EXCLUSIVE REPAIR AND REPLACEMENT REMEDIES DESCRIBED HEREIN IS A CONDITION OF THE CONTRACT FOR THE PURCHASE OF EVERY MILWAUKEE PRODUCT. IF YOU DO NOT AGREE TO THIS CONDITION, YOU SHOULD NOT PURCHASE THE PRODUCT. IN NO EVENT SHALL MILWAUKEE BE LIABLE FOR ANY INCIDENTAL, SPECIAL, CONSEQUENTIAL, OR PUNITIVE DAMAGES, OR FOR ANY COSTS, ATTORNEY FEES, EXPENSES, LOSSES OR DELAYS ALLEGED TO BE AS A CONSEQUENCE OF ANY DAMAGE TO, FAILURE OF, OR DEFECT IN ANY PRODUCT INCLUDING, BUT NOT LIMITED TO, ANY CLAIMS FOR LOSS OF PROFITS. SOME STATES DO NOT ALLOW THE EXCLUSION OR LIMITATION OF INCIDENTAL OR CONSEQUENTIAL DAMAGES, SO THE ABOVE LIMITATION OR EXCLUSION MAY NOT APPLY TO YOU. THIS WARRANTY IS EXCLUSIVE AND IN LIEU OF ALL OTHER EXPRESS WARRANTIES, WRITTEN OR ORAL, TO THE EXTENT PERMITTED BY LAW, MILWAUKEE DISCLAIMS ANY IMPLIED WARRANTIES, INCLUDING WITHOUT LIMITATION ANY IMPLIED WARRANTY OF MERCHANTABILITY OR FITNESS FOR A PARTICULAR USE OR PURPOSE; TO THE EXTENT SUCH DISCLAIMER IS NOT PERMITTED BY LAW, SUCH IMPLIED WARRANTIES ARE LIMITED TO THE DURATION OF THE APPLICABLE EXPRESS WARRANTY AS DESCRIBED ABOVE. SOME STATES DO NOT ALLOW LIMITATIONS ON HOW LONG AN IMPLIED WARRANTY LASTS, SO THE ABOVE LIMITATION MAY NOT APPLY TO YOU. THIS WARRANTY GIVES YOU SPECIFIC LEGAL RIGHTS, AND YOU MAY ALSO HAVE OTHER RIGHTS WHICH VARY FROM STATE TO STATE.

This warranty applies to product sold in the U.S.A. and Canada only. Please consult the 'Service Center Search' in the Parts & Service section of MILWAUKEE's website www.milwaukeeetool.com or call 1.800.SAWDUST (1.800.729.3878) to locate your nearest service facility for warranty and non-warranty service on a MILWAUKEE power tool.

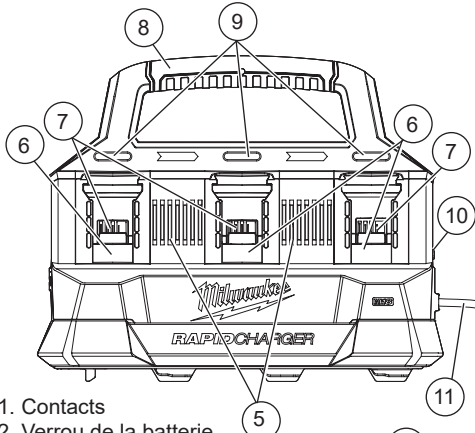
RÈGLES GÉNÉRALES DE SÉCURITÉ - CONSERVER CES INSTRUCTIONS -

⚠ AVERTISSEMENT **LIRE ET COMPRENDRE TOUTES LES INSTRUCTIONS.** Le non-respect des instructions ci-après peut entraîner des chocs électriques, des incendies et/ou des blessures graves.

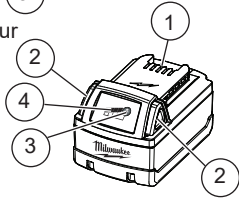
- 1. GARDER CES INSTRUCTIONS** - Ce manuel comprend des instructions d'opération et de sécurité importantes pour le chargeur au lithium-ion de MILWAUKEE et les piles au lithium-ion de MILWAUKEE.
- 2. Avant d'utiliser la pile et le chargeur, veiller à lire ce manuel d'utilisation, le manuel d'utilisation de l'outil ainsi que toutes les étiquettes sur la pile, le chargeur et l'outil.**
- 3. ⚠ ATTENTION** Utiliser uniquement les piles au lithium-ion de MILWAUKEE avec les produits au lithium-ion de MILWAUKEE recommandés (p. ex., piles M18™ avec chargeur/outils M18™, piles M12™ avec chargeur/outils M12™). Ne pas utiliser des piles ou des chargeurs contrefaits, falsifiés ou « truqués ». Autres types de blocs-piles sont susceptibles à exploser. Ne pas relier une pile à une prise secteur ou à un allume-cigare.
- 4. Garder les blocs-piles hors de la portée des enfants.**
- 5. Éviter les environnements dangereux.** Ne pas exposer ou charger le produit sous la pluie, sous la neige ou dans des endroits humides ou mouillés. Ne pas utiliser le bloc-piles ou le chargeur aux atmosphères explosives (où des fumées gazeuses, de la poussière, ou bien des matériaux inflammables sont présents). Il est possible que des étincelles se produisent lors de l'insertion ou l'extraction du bloc-piles, ce qui causera un incendie.
- 6. Charger uniquement dans une aire bien ventilée et dans la plage de température ambiante de chargement suggérée.** Ne pas obstruer les événements d'aération ; il faut les garder libres pour qu'il y ait une ventilation appropriée. Ne pas laisser des fumées ou des flammes vives auprès d'un bloc-piles qui se charge. Les gaz ventilés pourront exploser.
- 7. Bien conserver le cordon du chargeur.** Pour débrancher, ne pas tirer le cordon et tirer plutôt la fiche. Ne jamais prendre le chargeur par le cordon. Garder le cordon à l'écart de la chaleur, de l'huile et des objets tranchants. S'assurer que le cordon ne se trouve pas dans un endroit où il risque d'être piétiné, accroché, endommagé ou maltraité. Ne pas utiliser le chargeur si le cordon ou la fiche sont endommagés. Remplacer immédiatement tout cordon endommagé.


8. **Éviter d'utiliser un cordon prolongateur si possible.** S'il n'est pas possible d'éviter d'utiliser un cordon prolongateur, en utiliser un étant en bon état électrique et d'un calibre de fil et d'une longueur appropriés d'après la puissance nominale actuelle du chargeur. La taille et la forme de la broche devront convenir à ceux du cordon prolongateur.
9. **Le chargeur a UNIQUEMENT une puissance nominale d'entre 120 et 127 V de CA.** Il faut connecter le chargeur à une prise appropriée.
10. **Utiliser uniquement les accessoires recommandés.**
11. **Débrancher le chargeur et retirer les piles** lorsqu'ils ne sont pas utilisés.
12. **Toujours débrancher le chargeur avant de nettoyer ou d'entretenir l'appareil.** Ne pas laisser l'eau se couler dans la fiche CA/CC. Utiliser un disjoncteur de fuite de terre (GFCI) pour minimiser les risques de décharge électrique.
13. **Do not burn, incinerate, or expose batteries to fire or excessive temperatures above 265°F (130°C).** Batteries may explode. Toxic fumes and materials are created when batteries are burned.
14. **Ne pas écraser, laisser tomber, râper, modifier ou endommager le bloc-piles. Toujours mettre les blocs-piles dans un conteneur sûr durant le transport.** Ne pas utiliser un bloc-piles qui a subi un choc violent, a été écrasé ou endommagé d'une manière quelconque (par exemple, s'il a été percé par un clou, frappé par un marteau ou piétiné durant un accident de voiture). Ne pas utiliser ou charger des blocs-piles s'il semble qu'ils sont endommagés ou gonflés ou qu'ils ne fonctionnent pas bien. Il est possible que les blocs-piles endommagés ou modifiés puissent avoir un comportement imprévisible.
15. **Ne pas désarmer ou tenter de réparer les blocs-piles ou les chargeurs.** Ceci ne comporte aucune pièce réparable. Amener les blocs-piles/les chargeurs endommagés, cassés ou nécessitant des réparations à un centre de service de MILWAUKEE pour garantir que la sûreté du produit est assurée.
16. **Les produits chimiques dans les blocs-piles pourront causer des brûlures graves.** Ne jamais laisser les produits chimiques entrer en contact avec la peau, les yeux ou la bouche. Si jamais des produits chimiques se coulent d'un bloc-piles endommagé, porter des gants en nœprène ou en caoutchouc pour se débarrasser de lui. Si la peau est jamais exposée aux fluides d'un bloc-piles, la laver à l'eau et au savon et rincer au vinaigre. Si les yeux sont jamais exposés aux produits chimiques d'un bloc-piles, rincer immédiatement à l'eau pendant 20 minutes et consulter un médecin.
17. **Ne pas court-circuiter.** Un bloc-piles court-circuité pourra causer un incendie, des blessures corporelles et endommager le produit. Un bloc-piles court-circuitera si un objet métallique établit une connexion entre les bornes positive et négative du bloc-piles. Mettre un bloc-piles à l'écart de tout ce qui pourra causer un court-circuit (tel que les pièces de monnaie, des clés, des clous ou de petits objets métalliques dans une poche, une boîte à outils ou un tiroir).
18. **Ne pas laisser des liquides entrer dans le bloc-piles.** Les fluides corrosifs et conducteurs, tels que l'eau de mer, quelques produits chimiques industriels et solutions d'eau de Javel ou d'autres produits ayant de l'hypochlorite, etc., pourront provoquer des courts-circuits. Ne pas utiliser des blocs-piles qui ont été exposés à ce type de liquides.
19. **Les blocs-piles ayant la marque « Résistant »** sont idéaux pour les environnements où il est possible qu'il y ait un contact ou une exposition accidentelle aux huiles, aux graisses et aux solvants. Ces blocs-piles ne sont résistants ni aux acides ni à d'autres produits chimiques corrosifs. Ne jamais immerger dans des liquides et ne jamais laisser que des liquides entrent dans le bloc-piles.
20. **Toujours utiliser une poignée latérale lors de l'utilisation d'un bloc-piles HIGH OUTPUT ou HIGH DEMAND de 6,0 Ah ou plus puissant,** car le couple de sorti de certains outils pourra augmenter. Si votre perceuse/tournevis n'a pas une poignée latérale incluse, visiter le site web de MILWAUKEE TOOL pour en savoir plus sur l'accessoire de la poignée correspondante.
21. **Ranger le bloc-piles et le chargeur** dans un endroit frais et sec. Ne pas ranger dans des endroits où la température peut dépasser 50 °C (120 °F), par exemple, un endroit exposé directement aux rayons du soleil, un véhicule ou une construction en métal pendant l'été.
22. **Toujours livrer les piles au lithium-ion selon les réglementations actuelles régissant le mode de transport choisi (par exemple, terrestre, aérien, maritime).** En cas de doute, veuillez contacter MILWAUKEE, l'entreprise de transport ou d'autres professionnels qualifiés dans le transport de marchandises dangereuses afin de déterminer quelles sont les réglementations correspondantes.
23. **Ne pas monter en vertical sur des véhicules.** Des dommages sur le chargeur ou le bloc-piles pourront survenir. Veuillez vous reporter aux instructions disponibles sur la fiche technique de la plaque de montage PACKOUT™ (48-22-8485) dans www.milwaukeetool.com.
24. **Conservier les étiquettes et les plaques signalétiques en bon état.** Des informations importantes y figurent. Si elles sont illisibles ou manquantes, contacter un centre de service de MILWAUKEE pour obtenir un remplacement.

DESCRIPTION FONCTIONNELLE





1. Contacts
2. Verrou de la batterie
3. Languette de l'indicateur de niveau d'énergie
4. Indicateur de niveau d'énergie
5. Événements
6. Baie
7. Contacts électriques
8. Poignée
9. Témoins lumineux du chargeur :





 Rouge continue : En cours de chargement

 Vert clignotant doucement : Chargement presque complet

 Verte continue : Chargement terminé

 Voyant rouge clignotant doucement : Charge de batterie en attente – La charge commence une fois le premier bloc entièrement chargé

 Rouge clignotant rapidement :
Le bloc-piles et / ou le chargeur est/sont trop chaud(s) / trop froid(s) -
Le chargement commencera alors que le bloc-piles et / ou le chargeur sera/seront parvenu(s) à atteindre la température de chargement correcte

 Rouge et verte clignotante :
Endommagé ou défectueux bloc-pile et / ou chargeur

10. Chargeur USB-A
11. Cordon

SPÉCIFICATIONS

Chargeur No de Cat.	48-59-1809
Alimentation en volts	120-127 CA
Ampérage d'entrée maximale.....	5,5 CA
Sortie en volts.....	18 CD
Ampérage de sortie maximale.....	6 CD
Température ambiante de charge recommandée	
5°C à 40°C (40°F à 104°F)	
Batterie au Li-Ion de M18™	18 V CD

PICTOGRAPHIE



Volts



Courant direct



Courant alternatif



Double isolation



Recyclage correct des batteries



Rétro-alimentation protégée



Fréquence



Ampères



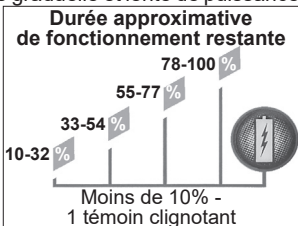
UL Listing Mark pour
Canada et États-unis

FONCTIONNEMENT DE LA PILE

Indicateur de charge de la pile

Contrairement aux types de blocs-piles au nickel-cadmium, les blocs-piles au lithium-ion de MILWAUKEE sont en mesure de produire une puissance constante durant toute leur autonomie. L'outil n'aura pas une perte graduelle et lente de puissance durant l'utilisation.

Utiliser le voyant d'autonomie pour en apprendre sur l'autonomie restante du bloc-piles. Appuyer sur la touche du voyant d'autonomie pour allumer les témoins. Le voyant d'autonomie s'allumera de 2 à 3 secondes.



Un témoin sur le voyant d'autonomie du bloc-piles clignotera rapidement pendant 2 à 3 secondes pour signaler qu'il est épuisé et l'outil cessera de fonctionner. Charger le bloc-piles.

Un affichage clignotant en alternance vaudra dire qu'une erreur ou une surchauffe s'est produite. Laisser refroidir le bloc-piles et le réinsérer après. Si un tel affichage persiste, contacter un centre de service de MILWAUKEE.

S'il paraît que le voyant d'autonomie ne fonctionne pas, mettre le bloc-piles dans le chargeur et le charger au besoin.

Immédiatement après l'utilisation du bloc-piles, le témoin de charge pourra afficher une charge inférieure que d'habitude si vous le réviser quelques minutes après. Les éléments du bloc-piles « récupéreront » un peu de leurs charges après un peu de repos.

Protection du bloc de piles

Pour protéger le bloc de piles et prolonger sa durée de vie, le circuit intelligent du bloc de piles surveille les appels de courant et la température. En cas de couple extrêmement élevé, de coincement, de calage et de courts-circuits, le bloc de piles mettra l'outil HORS TENSION si l'appel de courant est trop élevé. Tous les témoins de l'indicateur de charge de la pile clignoteront. Relâcher la gâchette et redémarrer l'outil.

Dans des conditions extrêmes, la température interne de la pile peut devenir excessive. Si cela se produit, les témoins de l'indicateur de charge de la pile clignoteront en alternance et l'outil cessera de fonctionner. Laisser la pile refroidir.

Témoins de l'indicateur de charge la pile	Diagnostic	Solution
Témoins 1 à 4 – allumés	Autonomie restante	Poursuivre le travail
1 témoin – clignote lentement	Moins de 10 % d'autonomie restante	Se préparer à charger le bloc de piles
1 témoin – clignote rapidement	Fin de la décharge	Charger le bloc de piles
Témoins 1 à 4 – clignotent rapidement	Appel de courant trop élevé	Relâcher la gâchette et redémarrer, réduire la pression
Témoins 1 et 3 ou 2 et 4 – clignotent en alternance	Température de la pile trop élevée	Relâcher la gâchette et laisser la pile refroidir

Fonctionnement par temps froid

Les blocs-piles au lithium-ion de MILWAUKEE ont été conçus pour fonctionner à des températures inférieures au point de congélation. Si le bloc-piles est trop froid, il est possible qu'il nécessite de réchauffer avant de fonctionner normalement. Mettre le bloc-piles dans un produit et utiliser le produit dans une application simple.

Il est possible d'entendre un « bourdonnement » court jusqu'à ce qu'il s'échauffe. Une fois le « bourdonnement » s'arrête, utiliser l'outil comme d'habitude.

Transport

L'application des réglementations concernant le transport de piles au lithium-ion dépendent de si la pile est transportée dans un véhicule privé, ou bien si elle est livrée par une société de transport. Toujours livrer les piles au lithium-ion selon les réglementations actuelles régissant le mode de transport choisi (par exemple, terrestre, aérien, maritime). En cas de doute, veuillez contacter MILWAUKEE, la société de transport ou d'autres professionnels qualifiés dans le transport de marchandises dangereuses afin de déterminer quelles sont les réglementations correspondantes.

Le transport privé des piles au lithium-ion est permis s'il suit ces instructions et avertissements. Lors du transport des piles au lithium-ion par une société de transport, elles sont livrées selon la classification UN 3480 (pile uniquement) ou UN 3481 (piles contenues ou emballées avec une pièce d'équipement). Les conditions en matière d'emballage, d'étiquetage, de marquage et de documentation dépendent généralement de si les piles en question ont une classification supérieure ou inférieure à 100 Wh. Les piles au lithium-ion dont la classification est de 100 Wh ou inférieure sont souvent « exemptes » de certaines réglementations de transport. Aux États-Unis, les produits livrés par transport terrestre pourront être « exemptes » de certaines réglementations de transport de marchandises dangereuses si leur puissance électrique est de moins de 300 Wh.

AVERTISSEMENT Afin de minimiser le risque de blessures ou d'explosion, ne jamais brûler ou incinérer un bloc-piles même s'il est endommagé, mort, ou épuisé. S'il est brûlé, il produira des fumées et des matériaux toxiques.

Mise au rebut des blocs-piles au lithium-ion de MILWAUKEE

Les blocs-piles au lithium-ion de MILWAUKEE sont plus respectueux de l'environnement que d'autres types de blocs-piles (par exemple, ceux au nickel-cadmium). Toujours se débarrasser des blocs-piles selon les réglementations fédérales, provinciales et locales. Contacter une agence de recyclage locale pour connaître les lieux de recyclage.

Les batteries déchargées contiennent du courant résiduel. Avant de mettre une batterie au rebut, couvrir les bornes de la batterie avec du ruban isolant afin d'empêcher un court-circuit pouvant causer un incendie ou une explosion.

Sceaux de recyclage pour pile RBRC

Les opercules de recyclage des batteries RBRC™ (consulter la section « Symbologie ») trouvés sur les blocs-piles vous indiqueront dont MILWAUKEE s'est arrangé avec la Rechargeable Battery Recycling Corporation (RBRC) pour leur recyclage. Une fois votre bloc-piles aura atteint la fin de sa vie utile, il faudra le retourner à un centre de service/une succursale de MILWAUKEE, ou bien à un centre détaillant participant. Pour de plus amples renseignements, veuillez consulter le site web de la RBRC à l'adresse www.rbrc.org.

FONCTIONNEMENT DU CHARGEUR

AVERTISSEMENT Charger uniquement les batterie Li-ion MILWAUKEE M18™ dans l'ensemble chargeur Li-ion MILWAUKEE M18™. Les batteries d'autres types peuvent causer des dommages et des blessures.

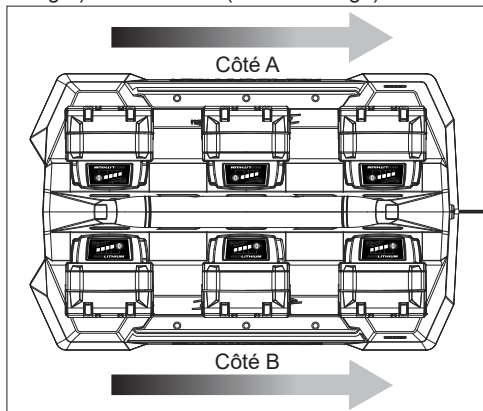
Quand faut-il charger le bloc-piles avec ce chargeur de MILWAUKEE

Retirer le bloc-piles du produit pour le charger alors qu'il vous semble pratique d'après la tâche à effectuer. Les blocs-piles de MILWAUKEE ne développent pas une « mémoire » lorsqu'ils sont chargés après une décharge partielle. Ce n'est pas nécessaire d'épuiser le bloc-piles avant de le mettre dans le chargeur.

- Utiliser le voyant d'autonomie pour définir le moment où il vous faudra charger le bloc-piles au lithium-ion de MILWAUKEE.
- Il est possible de charger complètement le bloc-piles avant de commencer une tâche très exigeante ou une longue journée de travail.
- La seule occasion où il sera nécessaire de charger le bloc-piles au lithium-ion de MILWAUKEE c'est au moment où le bloc-piles est épuisé. Pour signaler la fin de la charge, il y aura une chute très vite de la puissance du produit, ce qui vous laissera savoir que l'outil n'a que la charge suffisante pour finir la tâche en question. Charger le bloc-piles au besoin.

Comment charger la batterie

Aligner la batterie avec la baie et insérer complètement la batterie dans le chargeur. Le voyant rouge s'allume, en clignotant rapidement (bloc de batterie trop chaud ou froid), en clignotant doucement (le bloc de batterie attend qu'un autre bloc finisse de charger) ou en continu (bloc en charge).



- Le modèle 48-59-1809 est capable de charger deux batteries en même temps, en mettant chacun à chaque côté du chargeur. Après il chargera tous les autres blocs-piles de façon séquentielle, en suivant le sens des flèches dans le chargeur.
- Si les blocs-piles sont insérés dans un chargeur étant déjà branché à la prise secteur, le premier bloc-piles qui aura été inséré sera chargé en premier. Le sens des flèches dans le chargeur indiquera le prochain bloc-piles à charger.
- Si les blocs-piles sont insérés dans un chargeur avant qu'il ne soit branché à la prise secteur, le sens des flèches dans le chargeur indiquera l'ordre de chargement.
- Le temps de chargement dépend de la capacité du bloc-piles. Les blocs-piles qui ont été assez mis sous tension pourront prendre plus de temps pour être complètement chargés.
- Les témoins des voyants d'autonomie des blocs-piles M18™ s'allumeront alors que le chargement du bloc est en cours pour en indiquer la progression. Le voyant d'autonomie s'éteindra alors que la charge est pleine.
- Une fois la charge terminée, le témoin vert continu s'allume.
- Si le voyant luminescent clignote en rouge et en vert ou s'il ne s'allume pas, constater que le bloc-piles est bien mis au fond du compartiment. Retirer le bloc-piles et le réinsérer. Si le problème persiste, retirer le ou les blocs et débrancher le chargeur au moins 2 minutes. Après 2 minutes, brancher le chargeur à nouveau et insérer le bloc-piles. Si le problème persiste, contacter un centre de service de MILWAUKEE.

Chargement d'une batterie chaude ou froide

Le témoin clignotant rouge du chargeur indique que la température de la batterie est hors de la plage de charge. Une fois que la batterie est dans la plage acceptable, une charge normale commence et le témoin rouge s'allume en continu. Des batteries froides ou chaudes peuvent nécessiter plus de temps pour se recharger.

Température du bloc de piles	Témoin rouge de l'indicateur du chargeur	État de charge
Trop chaude	Clignotant	Pas de charge
Température correcte	Continu	Charge normale
Trop froide	Clignotant	Pas de charge

Alimentation du chargeur avec un invertisseur ou un générateur

Le chargeur fonctionne avec la plupart des générateurs 120-127 V ou des invertisseurs qualifiés à 500 watts au minimum.

Prise d'alimentation USB

Il est possible d'utiliser cette prise pour charger un téléphone cellulaire, un lecteur MP3, ou bien tout autre appareil personnel utilisant moins que 2,1 A de courant électrique direct.

REMARQUE : Tout appareil utilisant plus que 2,1 A de courant électrique CD activera une surcharge de remise à zéro et désactivera la prise.

ENTRETIEN

⚠ AVERTISSEMENT Afin de minimiser le risque d'incendie, de blessure physique et de dommages au produit causés par un court-circuit, ne jamais plonger un outil, son bloc-piles ou son chargeur dans un liquide et ne pas laisser que ce liquide y entre. Les liquides corrosifs et conducteurs, tels que l'eau de mer, quelques produits chimiques industriels et des solutions d'eau de Javel ou d'autres produits ayant de l'hypochlorite, etc., pourront causer des courts-circuits.

Toujours débrancher le chargeur et retirer le bloc-piles du chargeur avant d'entreprendre toute opération d'entretien. Ne jamais démonter le bloc-piles ou le chargeur. Pour TOUTE réparation, contacter un contre de service de MILWAUKEE.

Nettoyage

Ne pas exposer les bloc-piles, les chargeurs ou les outils aux liquides, à l'eau ou à la pluie et ne pas les laisser se mouiller. Ceci pourrait endommager l'outil, le chargeur et le bloc-piles. Nettoyer la poussière et le débris dans les événements de l'outil, ceux du chargeur et ceux du bloc-piles ainsi que les bornes à l'aide d'un aspirateur ou d'une brosse. Nettoyer les boîtiers à l'aide d'un linge humide au savon, toujours en évitant de toucher les bornes. Certains produits de nettoyage et solvants, tels que de l'essence, de la térébenthine, du diluant à peinture-laque, du diluant à peinture, de l'eau de Javel, des solvants de nettoyage au chlore, de l'ammoniaque et des détergents domestiques contenant de l'ammoniaque, sont nuisibles aux plastiques et à d'autres pièces isolées, car les boîtiers en plastique deviendront friables et se craquelleront. Ne jamais utiliser des solvants inflammables ou combustibles autour des bloc-piles, du chargeur ou des outils.

Remisage

De façon générale, il est mieux de débrancher les chargeurs et de retirer les blocs-piles lorsqu'ils ne sont pas utilisés. Pourtant, le bloc-piles ne subira pas de dommages. Garder le produit à température ambiante, loin des endroits humides. Garder les blocs-piles en vertical. Ne pas les garder dans des endroits humides où la corrosion des bornes peut survenir. Le fait de les garder à de hautes températures (dépassant les 50°C (120°F)) pour de longues périodes pourra causer une perte permanente de puissance dans les blocs-piles. Il faut charger le produit avant de l'utiliser s'il a été gardé pour de longues périodes.

Réparations

Aucune pièce réparable.

SERVICE - CANADA

Milwaukee Tool (Canada) Ltd

1.877.948.2360

Monday-Friday, 7:00 AM - 4:30 PM CST

www.milwaukeeool.ca

GARANTIE LIMITÉE - AUX ÉTATS-UNIS ET AU CANADA

Tout bloc-piles MILWAUKEE (vendu avec un produit sans fil et/ou en tant qu'un bloc-piles de rechange) est garanti à l'acheteur d'origine par un distributeur agréé MILWAUKEE d'être exempt uniquement de vice de matériau et de fabrication. Sous réserve de certaines exceptions, MILWAUKEE réparera ou remplacera un bloc-piles qui, après examen, sera confirmé par MILWAUKEE d'être affecté d'un vice du matériau ou de fabrication pendant la période de garantie mentionnée après la date d'achat. Retourner le bloc-piles à un centre de service en usine MILWAUKEE ou à un poste d'entretien agréé MILWAUKEE, en port prépayé et assuré. Pour en savoir plus sur le processus de livraison du bloc-piles, veuillez composer le 1.800.SAWDUST (1.800.729.3878) ou visiter le site www.milwaukeeool.com. Une copie de la preuve d'achat doit être présentée lors du retour du produit. Cette garantie ne couvre pas les dommages que MILWAUKEE détermine d'être causés par des réparations ou des tentatives de réparation par quiconque d'autre que le personnel agréé par MILWAUKEE, des utilisations incorrectes, des altérations, des utilisations abusives, une usure normale, une carence d'entretien ou des accidents.

Bloc-piles No de cat.	Composition chimique	Période de la garantie (à compter de la date d'achat)
48-11-1812, 48-11-1813, 48-11-1828 (Préfix de numéro de série « B41E » et ultérieur), 48-11-1840, 48-11-1850, 48-11-1850R, 48-11-1860, 48-11-1861, 48-11-1865, 48-11-1880, 48-11-1881, 48-11-1890, 48-11-2402, 48-11-2440, 48-11-2450, 48-11-2460, 48-11-2830 (Préfix de numéro de série « C71 »)	LITHIUM-ION	Trois (3) ans
48-11-0490, 48-11-1815, 48-11-1820, 48-11-1835, 48-11-2001, 48-11-2330, 48-11-2401, 48-11-2420, 48-11-2425, 48-11-2430	LITHIUM-ION	Deux (2) ans
48-11-1828 (Préfix de numéro de série « B41D » et antérieur), 48-11-1830 (Préfix de numéro de série « A95 »), 48-11-2830 (Préfix de numéro de série « A71 »)	LITHIUM-ION	Deux (2) ans – garantie supplémentaire de proportionnalité Trois (3) ans*
48-11-0100, 48-11-1024, 48-11-1830 (Préfix de numéro de série « E95 »), 48-11-1970, 48-11-2230	Nickel-Cadmium (Ni-Cd), Nickel-métal-hydrure (Ni-MH), LITHIUM-ION	Un (1) an

*La durée de la garantie des produits MILWAUKEE M18™ 48-11-1828 (ayant le préfixe d'identification « B41D » et leurs précédents), V18™ 48-11-1830 (ayant le préfixe d'identification « A95 ») et V28™ 48-11-2830 (ayant le préfixe d'identification « A71 ») est de cinq (5) ans / 2 000 charges comptés à partir de la date d'achat, selon la première éventualité. La garantie couvre les 1 000 premières charges, ou bien les 2 premières années de la garantie, selon la première échéance, ce qui comprend une batterie de rechange pour la batterie défectueuse. Cela veut dire que pour les 1 000 premières charges ou les deux (2) premières années à partir de la date d'achat ou la première charge, le cas échéant, le client recevra une batterie de rechange gratuit en échange d'une batterie défectueuse. Par la suite, la garantie couvrira les charges restantes, jusqu'à un total de 2 000 ou les années restantes de la période de cinq (5) ans comptés à partir de la date d'achat, selon la première éventualité, au prorata. Ceci veut dire que chaque client jouira d'un bénéfice de 1 000 charges ou trois (3) ans supplémentaires d'une garantie proportionnelle couvrant ces blocs-piles, d'après leur utilisation. MILWAUKEE M18™ 48-11-1828 (ayant le préfixe d'identification « B41E » et subséquents), V18™ 48-11-1830 (ayant le préfixe d'identification « E95 ») et M28™ 48-11-2830 (ayant le préfixe d'identification « C71 ») auront une garantie d'une durée différente, comme indiqué dans la liste.

Il n'est pas nécessaire d'inscrire la garantie pour obtenir la garantie correspondante d'un bloc-piles MILWAUKEE. La date de fabrication du produit servira à établir la période de garantie si aucune preuve d'achat n'est fournie lorsqu'une demande de service sous garantie est faite. L'ACCEPTATION DES RECOURS EXCLUSIFS DE RÉPARATION ET DE REMPLACEMENT DÉCRITS PAR LA PRÉSENTE EST UNE CONDITION DU CONTRAT D'ACHAT DE TOUT PRODUIT MILWAUKEE. SI VOUS N'ACCEPTÉZ PAS CETTE CONDITION, VOUS NE DEVEZ PAS ACHETER LE PRODUIT. EN AUCUN CAS MILWAUKEE NE SAURAIT ÊTRE RESPONSABLE DE TOUT DOMMAGE ACCESSOIRE, SPÉCIAL OU INDIRECT, DE DOMMAGES-INTÉRÊTS PUNITIFS OU DE TOUTE DÉPENSE, D'HONORAIRES D'AVOCATS, DE FRAIS, DE PERTE OU DE DÉLAIS ACCESSOIRES À TOUT DOMMAGE, DÉFAILLANCE OU DÉFAUT DE TOUT PRODUIT, Y COMPRIS NOTAMMENT LES PERTES DE PROFIT. CERTAINS ÉTATS ET PROVINCES NE PERMETTANT L'EXCLUSION OU LA LIMITATION DES DOMMAGES DIRECTS OU INDIRECTS, LES RESTRICTIONS CI-DESSOUS PEUVENT NE PAS ÊTRE APPLICABLES. CETTE GARANTIE EST EXCLUSIVE ET REMPLACE TOUTE AUTRE GARANTIE EXPRESSE, QU'ELLE SOIT VERBALE OU ÉCRITE. DANS LA MESURE PERMISE PAR LA LOI, MILWAUKEE RENONCE À TOUTE GARANTIE IMPLICITE, Y COMPRIS, SANS S'Y LIMITER, TOUTE GARANTIE IMPLICITE DE COMMERCIALISABILITÉ OU D'ADAPTATION À UNE UTILISATION OU À UNE FIN PARTICULIÈRE. DANS LA MESURE OU UNE TELLE STIPULATION D'EXONÉRATION N'EST PAS PERMISE PAR LA LOI, LA DURÉE DE CES GARANTIES IMPLICITES EST LIMITÉE À LA PÉRIODE APPLICABLE DE LA GARANTIE EXPRESSE, TELLE QUE CELA EST DÉCRIT PRÉCÉDEMMENT. CERTAINES PROVINCES NE PERMETTANT PAS DE LIMITATION DE DURÉE DES GARANTIES IMPLICITES, LES RESTRICTIONS CI-DESSUS PEUVENT NE PAS ÊTRE APPLICABLES. LA PRÉSENTE CONFÈRE À L'UTILISATEUR DES DROITS LÉGAUX PARTICULIERS ; IL BÉNÉFICIE ÉGALEMENT D'AUTRES DROITS QUI VARIENT D'UNE PROVINCE À L'AUTRE. Cette garantie s'applique uniquement aux produits vendus aux États-Unis et au Canada.

Veillez consulter l'onglet « Trouver un centre de service » dans la section « Pièces et service » du site web de MILWAUKEE à l'adresse www.milwaukeeetool.com, ou composer le 1.800.SAWDUST (1.800.729.3878) afin de trouver le centre de service de la plus proche pour l'entretien, sous garantie ou non, d'un bloc-piles MILWAUKEE.

GARANTIE LIMITÉE - AUX ÉTATS-UNIS ET AU CANADA

Cet outil électrique MILWAUKEE* est garanti à l'acheteur d'origine uniquement par un distributeur agréé de MILWAUKEE d'être exempt de vice du matériau et de fabrication. Sous réserve de certaines exceptions, MILWAUKEE réparera ou remplacera toute pièce de cet outil électrique qui, après examen par MILWAUKEE, est affectée d'un vice de matériau ou de fabrication pendant une période de cinq (5) ans après la date d'achat, sauf indication contraire. Il faudra retourner l'outil électrique à un centre de service en usine MILWAUKEE ou à un poste d'entretien agréé MILWAUKEE, en port prépayé et assuré. Une copie de la preuve d'achat doit être présentée lors du retour du produit. Cette garantie ne couvre pas les dommages que MILWAUKEE détermine d'être causés par des réparations ou des tentatives de réparation par quiconque d'autre que le personnel agréé par MILWAUKEE, des utilisations incorrectes, des altérations, des utilisations abusives, une usure normale, une carence d'entretien ou les accidents.

Usure normale : Par rapport à plusieurs outils électriques, il faut remplacer et entretenir leurs pièces afin de jouir de leur rendement optimal. Cette garantie ne couvre pas les cas de réparation lorsque la vie utile normale de la pièce s'est terminée, incluant, sans s'y limiter, les mandrins, les balais, les câbles, les patins de scie, les brides de lame, les joints toriques, les embouts, les butoirs, les lames d'entraînement, les pistons, les perceurs, les poussoirs et les rondelles de protection de butoir.

*Cette garantie ne couvre ni les blocs-piles ni tous les outils électriques. Veuillez vous reporter aux autres garanties différentes disponibles pour ces produits.

La période durant laquelle la garantie est valable pour la lumière à DEL de la lampe de travail à DEL (49-24-0171) et l'ampoule transformée à DEL (49-81-0090) est d'une durée égale à la vie utile du produit en raison des limites au-dessus. Si la lumière à DEL ou l'ampoule transformée à DEL tombent en panne durant l'utilisation normale, la pièce sera remplacée gratuitement.

L'inscription de la garantie n'est pas nécessaire pour bénéficier de la garantie en vigueur d'un outil électrique MILWAUKEE. La date de fabrication du produit servira à établir la période de garantie si aucune preuve d'achat n'est fournie lorsqu'une demande de service sous garantie est faite.

L'ACCEPTATION DES RECOURS EXCLUSIFS DE RÉPARATION ET DE REMPLACEMENT DÉCRITS PAR LA PRÉSENTE EST UNE CONDITION DU CONTRAT D'ACHAT DE TOUT PRODUIT MILWAUKEE. SI VOUS N'ACCEPTÉZ PAS CETTE CONDITION, VOUS NE DEVEZ PAS ACHETER LE PRODUIT. EN AUCUN CAS MILWAUKEE NE SAURAIT ÊTRE RESPONSABLE DE TOUT DOMMAGE ACCESSOIRE, SPÉCIAL OU INDIRECT, DE DOMMAGES-INTÉRÊTS PUNITIFS OU DE TOUTE DÉPENSE, D'HONORAIRES D'AVOCATS, DE FRAIS, DE PERTE OU DE DÉLAIS ACCESSOIRES À TOUT DOMMAGE, DÉFAILLANCE OU DÉFAUT DE TOUT PRODUIT, Y COMPRIS NOTAMMENT LES PERTES DE PROFIT. CERTAINS ÉTATS ET PROVINCES NE PERMETTANT L'EXCLUSION OU LA LIMITATION DES DOMMAGES DIRECTS OU INDIRECTS, LES RESTRICTIONS CI-DESSOUS PEUVENT NE PAS ÊTRE APPLICABLES. CETTE GARANTIE EST EXCLUSIVE ET REMPLACE TOUTE AUTRE GARANTIE EXPRESSE, QU'ELLE SOIT VERBALE OU ÉCRITE. DANS LA MESURE PERMISE PAR LA LOI, MILWAUKEE RENONCE À TOUTE GARANTIE IMPLICITE, Y COMPRIS, SANS S'Y LIMITER, TOUTE GARANTIE IMPLICITE DE COMMERCIALISABILITÉ OU D'ADAPTATION À UNE UTILISATION OU À UNE FIN PARTICULIÈRE. DANS LA MESURE OU UNE TELLE STIPULATION D'EXONÉRATION N'EST PAS PERMISE PAR LA LOI, LA DURÉE DE CES GARANTIES IMPLICITES EST LIMITÉE À LA PÉRIODE APPLICABLE DE LA GARANTIE EXPRESSE, TELLE QUE CELA EST DÉCRIT PRÉCÉDEMMENT. CERTAINES PROVINCES NE PERMETTANT PAS DE LIMITATION DE DURÉE DES GARANTIES IMPLICITES, LES RESTRICTIONS CI-DESSUS PEUVENT NE PAS ÊTRE APPLICABLES. LA PRÉSENTE CONFÈRE À L'UTILISATEUR DES DROITS LÉGAUX PARTICULIERS ; IL BÉNÉFICIE ÉGALEMENT D'AUTRES DROITS QUI VARIENT D'UNE PROVINCE À L'AUTRE. Cette garantie s'applique uniquement aux produits vendus aux États-Unis et au Canada.

Veillez consulter l'onglet « Trouver un centre service », dans la section « Pièces et service » du site web de MILWAUKEE, à l'adresse www.milwaukeeetool.com, ou composer le 1.800.SAWDUST (1.800.729.3878) afin de trouver le centre de service le plus proche dans votre région pour l'entretien, sous garantie ou non, de votre outil électrique MILWAUKEE.

REGLAS GENERALES DE SEGURIDAD - GUARDE LAS INSTRUCCIONES -

▲ ADVERTENCIA **LEA Y CONSERVE TODAS LAS INSTRUCCIONES.** Si no sigue todas las advertencias e instrucciones, se pueden provocar una descarga eléctrica, un incendio o lesiones graves.

- 1. GUARDE ESTAS INSTRUCCIONES** - Este manual incluye instrucciones de seguridad y operativas importantes sobre el cargador de ion de litio de MILWAUKEE y las baterías de ion de litio de MILWAUKEE.
- 2. Antes de usar la batería y el cargador, lea este manual de uso, el manual de uso de la herramienta y todas las etiquetas de la batería, el cargador y la herramienta.**
- 3. ▲ ATENCIÓN** Únicamente use baterías de ion de litio de MILWAUKEE con los productos de ion de litio de MILWAUKEE recomendados (por ejemplo, baterías M18™ con cargador/herramientas M18™, baterías M12™ con cargador/herramientas M12™). No use baterías o cargadores falsificados, falsos o “de imitación”. Otros tipos de baterías podrían explotar. No conecte una batería a un conector de una fuente de poder ni a un encendedor de automóvil.
- 4. Mantenga las baterías fuera del alcance de los niños.**
- 5. Evite los entornos peligrosos.** No exponga ni cargue el producto bajo la lluvia, la nieve o en lugares mojados o húmedos. No use la batería ni el cargador en atmósferas explosivas (donde haya vapores gaseosos, polvo o materiales inflamables). Podrán producirse chispas al momento de insertar o quitar la batería, lo que podría ocasionar un incendio.
- 6. Cárguese únicamente en un área bien ventilada y dentro del rango de temperatura ambiente de carga recomendada.** No obstruya las ventillas; manténgalas despejadas para que se cuente con una buena ventilación. No permita que haya humo o llamas vivas cerca de la batería que se esté cargando. Los gases ventilados pueden explotar.
- 7. Cuide el cable del cargador.** Para desconectar el producto, jale el enchufe en lugar del cable. Nunca transporte el cargador sujetándolo del cable. Proteja el cable del calor, el aceite y los bordes filosos. Asegúrese de que el cable no se pise, se tropiecen con él, se dañe o se mantenga tensado. No use el cargador con el cable o enchufe dañado. Cambie los cables dañados de inmediato.
- 8. Evite usar una extensión en la medida de lo posible.** Cuando sea inevitable usar una extensión, use una que esté en buen estado eléctrico y que tenga el calibre de cable y la longitud apropiadas que se ajusten a la potencia nominal actual del cargador. El tamaño y la forma de la clavija debe coincidir con las que tiene el cable del cargador.

- 9. El cargador ÚNICAMENTE tiene una potencia nominal de 120 a 127 V de CA.** El cargador debe conectarse a un tomacorriente adecuado.
- 10. Use únicamente los accesorios recomendados.**
- 11. Desconecte los cargadores y quite las baterías cuando no estén en uso.**
- 12. Siempre desconecte el cargador antes de realizar algún tipo de limpieza o mantenimiento.** No permita que el agua fluya dentro del enchufe CA/CD. Use un interruptor de circuito por pérdida a tierra (GFCI) para reducir los riesgos de una descarga eléctrica.
- 13. No queme, incinere ni exponga las baterías al fuego ni a temperaturas excesivas que sobrepasen 130 °C (265 °F).** Las baterías podrían explotar. Al quemar las baterías, se generan vapores y materiales tóxicos.
- 14. No aplaste, deje caer, pele, modifique o dañe la batería. Siempre ponga las baterías en un contenedor seguro durante la transportación.** No use una batería que haya recibido un golpe seco, se haya caído, se haya aplastado o dañado de algún modo (por ejemplo, perforado con un clavo, golpeado con un martillo, se haya pisado durante un accidente vehicular). No use ni cargue baterías que parezcan estar dañadas o infladas o que no funcionen bien. Las baterías dañadas o modificadas podrán presentar un comportamiento impredecible.
- 15. No desarme las baterías ni los cargadores ni intente repararlos.** Este producto no cuenta con ninguna pieza reparable. Lleve las baterías/los cargadores que estén dañados, rotos o necesiten reparaciones a un centro de servicio de MILWAUKEE para garantizar que se mantenga la seguridad del producto.
- 16. Los químicos de las baterías causan quemaduras graves.** Nunca permita el contacto con la piel, ojos o boca. Si una batería dañada derrama químicos, use guantes de hule o neopreno para desecharla. Si la piel estuvo expuesta a los fluidos de la batería, lave con agua y jabón, y enjuague con vinagre. Si los ojos estuvieron expuestos a los químicos de la batería, enjuague inmediatamente con agua durante 20 minutos y acuda al médico.
- 17. No provoque un cortocircuito.** Una batería con corto circuito podrá provocar un incendio, lesiones físicas y daños al producto. Una batería sufrirá un corto circuito si un objeto metálico crea una conexión entre los contactos positivos y negativos en la batería. No ponga una batería cerca de nada que podría ocasionar un cortocircuito (por ejemplo, monedas, llaves, clavos o pequeños objetos metálicos en el bolsillo, la caja de herramientas o el cajón).
- 18. No permita que entren líquidos en la batería.** Los líquidos corrosivos o conductivos, como es el caso del agua de mar, ciertos químicos industriales y el cloro o los productos de cloro, etc., podrán causar un cortocircuito. No use las baterías que hayan estado expuestas a este tipo de líquidos.

19. Las baterías con la leyenda “Resistente” son idóneas para usarse en ambientes donde puede ocurrir un contacto o una exposición accidental a aceites, grasas y solventes. Estas baterías no son resistentes ni a los ácidos ni a otros químicos corrosivos. Nunca sumerja en líquidos ni permita que ningún líquido entre en la batería.

20. Siempre use una empuñadura lateral al momento de usar una batería HIGH OUTPUT o HIGH DEMAND de 6,0 Ah o más potente, ya que el torque de salida de algunas herramientas podrá aumentar. Si su taladro/destornillador no viene con una empuñadura lateral, visite el sitio web de MILWAUKEE TOOL para más información acerca de la empuñadura de accesorio correspondiente.

21. Guarde su batería y cargador en un lugar fresco y seco. No se guarde donde la temperatura pudiera ser mayor que 50 °C (120 °F) tal como directamente bajo la luz del sol, un vehículo o edificio de metal durante el verano.

22. Siempre envíe las baterías de ion de litio según lo indicado en las normas actuales que rigen el modo de transporte elegido (por ejemplo, terrestre, aéreo, marítimo). En caso de tener alguna duda, comuníquese con MILWAUKEE, el transportista o con otro profesional capacitado en el transporte de mercancía peligrosa para definir cuáles son las normas correspondientes.

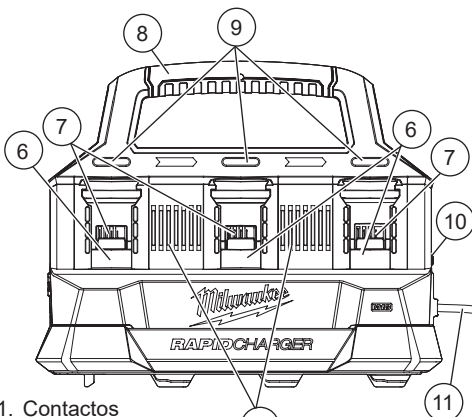
23. No lo monte en vertical encima de vehículos. Podría ocasionar daños a la batería o al cargador. Consulte las instrucciones en la ficha técnica de la placa de montaje PACKOUT™ (48-22-8485) que se encuentra en www.milwaukeetool.com.

24. Conserve las etiquetas y las placas en buen estado. En ellas se muestra información importante. Si son ilegibles o no están presentes, comuníquese con un centro de servicio de MILWAUKEE para recibir un reemplazo.

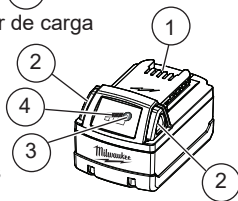
ESPECIFICACIONES

Cargador Cat. No	48-59-1809
Entrada volts.....	120-127 CA
Amperaje máximo de entrada	5,5 CA
Salida volts	18 CD
Amperaje máximo de salida	6 CD
Temperatura ambiente recomendada para cargar	5°C a 40°C (40°F a 104°F)
Batería de lones de litio de M18™	18 V CD

DESCRIPCIÓN FUNCIONAL



1. Contactos
2. Cerrojo de la batería
3. Lengüeta del indicador de carga
4. Indicador de carga
5. Rejillas de ventilación
6. Base
7. Contactos eléctricos
8. Empuñadura
9. Indicadores luminosos del cargador:



SIMBOLOGÍA

V Volts

— Corriente continua

~ Corriente alterna

☐ Con doble aislamiento



Recicle las baterías de forma adecuada

BFP Retroalimentación protegido

Hz Hertzios

A Amperios



UL Listing Mark para Canadá y Estados Unidos

Roja continua: Cargando

Parpadeo lento en verde: Llegando a la carga completa

Verde continua: La carga ha terminado

Parpadeo lento en rojo: Carga de batería pendiente - La carga iniciará cuando se cargue por completo la primera batería.

Parpadeo aprisa en rojo: La batería y/o el cargador está(n) demasiado caliente(s) o frío(s) - La carga empezará cuando la batería y/o el cargador se encuentre(n) dentro de la temperatura de carga correcta

Roja y verde intermitente: Dañado o defectuoso paquete de baterías y/o cargador

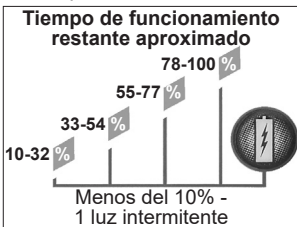
10. Cargador USB-A

11. Cable

FUNCIONAMIENTO DE LA BATERÍA

Indicador de carga

A diferencia de los tipos de baterías de níquel-cadmio, las baterías de ion de litio de MILWAUKEE generan una potencia constante durante todo su tiempo de operación. La herramienta no sufrirá una pérdida lenta y gradual de potencia durante el uso. Use el indicador de carga para determinar el tiempo de operación restante de la batería. Oprima el botón del indicador de carga para mostrar las luces. El indicador de carga encenderá de 2 a 3 segundos.



Para señalar el fin de la descarga, 1 luz del indicador de carga parpadeará rápidamente durante 2 y 3 segundos y la herramienta dejará de funcionar. Cargue la batería.

Un patrón parpadeante alternadamente indica que se encontró un error o estado de sobrecalentamiento. Permita que la batería se enfríe y vuélvala a insertar. Si el patrón persiste, comuníquese con un centro de servicio de MILWAUKEE.

Si parece que el indicador de carga no funciona, ponga la batería en el cargador y cárguela cuanto sea necesario.

Inmediatamente después de usar una batería, el indicador de carga podrá mostrar una carga menor a la que mostraría si se revisara más tarde. Las celdas de la batería "recuperan" parte de la carga después de estar en reposo.

Protección del paquete de batería

Para protegerse de los daños y extender su vida útil, el circuito inteligente de la batería monitorea el consumo de energía y la temperatura. En casos de corto circuito, atascamiento, amarre y torque extremadamente alto, la batería APAGARÁ la herramienta si el consumo de energía es demasiado alto. Todas las luces del indicador de carga parpadearán. Suelte el gatillo y retome.

En circunstancias extremas, la temperatura interna de la batería podría elevarse demasiado. Si esto sucede, las luces del indicador de carga parpadearán en un patrón alterno y el producto no funcionará. Deje que la batería se enfríe.

Luces del indicador de carga	Diagnóstico	Solución
Luces 1 a 4, continuas	Tiempo de funcionamiento restante	Continuar funcionando
1 luz de parpadeo lento	Menos del 10% de tiempo de funcionamiento restante	Preparar el paquete de batería para una carga
1 luz de parpadeo rápido	Se terminó de descargar	Cargar el paquete de batería
Luces 1 a 4, de parpadeo rápido	Consumo de corriente excesivo	Soltar el gatillo y reiniciar la herramienta, reducir la presión
Luces 1 y 3/ luces 2 y 4, de parpadeo alternado	Temperatura del paquete de batería muy elevada	Soltar el gatillo y dejar que el paquete de batería se enfríe

Funcionamiento en clima frío

Las baterías de ion de litio de MILWAUKEE están diseñadas para funcionar en temperaturas debajo del punto de congelación. Cuando la batería está demasiado fría, es probable que necesite calentarse antes de usarse normalmente. Ponga la batería en un producto y use el producto en una aplicación sencilla.

Podrá escuchar un breve "zumbido" hasta que se caliente. Cuando deje de escuchar el "zumbido", use la herramienta como siempre.

Transporte

El reglamento en materia de transporte de baterías de ion de litio es distinto dependiendo de si la batería se transporta en un vehículo de uso personal o si se envía con un transportista comercial. Siempre envíe las baterías de ion de litio según lo indicado en las normas actuales que rigen el modo de transporte elegido (por ejemplo, terrestre, aéreo, marítimo). En caso de tener alguna duda, comuníquese con MILWAUKEE, el transportista o con otro profesional capacitado en el transporte de mercancía peligrosa para definir cuáles son las normas correspondientes. El transporte personal de las baterías de ion de litio está permitido siempre y cuando se realice conforme a estas advertencias e instrucciones. Al enviar baterías de ion de litio con un transportista comercial, se envían conforme a lo indicado en la clasificación UN 3480 (batería sola) o UN 3481 (baterías contenidas o empacadas con equipamiento). Las exigencias correspondientes al embalaje, el etiquetado, el marcado y la documentación suelen depender de si las baterías en cuestión tienen una potencia nominal mayor o menor a 100 Wh. En ocasiones, las baterías de ion de litio con una potencia nominal de 100 Wh o menor suelen estar "exentas" en cuanto al cumplimiento de ciertas normas de envío. En EE. UU., los productos enviados por transporte terrestre pueden estar "exentos" de cumplir con ciertas normas de envío de materiales peligrosos si su potencia es menor a 300 Wh.

⚠ ADVERTENCIA Para reducir el riesgo de lesión o explosión, nunca quemar ni incinerar una batería incluso si está dañada, inservible, o completamente descargada. Al quemarse, se generan vapores y materiales tóxicos.

Desecho de las baterías de ion de litio de MILWAUKEE

Las baterías de ion de litio de MILWAUKEE son más amigables con el medio ambiente que otros tipos de baterías (por ejemplo, las de níquel-cadmio). Siempre deseche las baterías de conformidad con las normativas federales, estatales y locales. Comuníquese con un centro de reciclaje para más información acerca de los centros de reciclaje. Incluso las baterías descargadas contienen algo de energía. Antes de desecharlas, use cinta aislante para cubrir los terminales e impedir que la batería haga un cortocircuito que pudiera causar un incendio o una explosión.

Sellos de Reciclaje de Baterías RBRC

Los sellos de reciclaje de batería RBRC™ (consulte la sección "Simbología") en las baterías indican que MILWAUKEE organizó el reciclado con la Rechargeable Battery Recycling Corporation (RBRC). Cuando su batería llegue al final de su vida útil, devuélvala a un centro de servicio / sucursal de MILWAUKEE o a un centro minorista participante. Para más información, visite el sitio web de la RBRC en la dirección www.rbrc.org.

FUNCIONAMIENTO DEL CARGADOR

⚠ ADVERTENCIA Cargue únicamente baterías MILWAUKEE de iones de litio de M18™ en el cargador MILWAUKEE para baterías de iones de litio de M18™. Otros tipos de baterías podrían ocasionar lesión y daño personal.

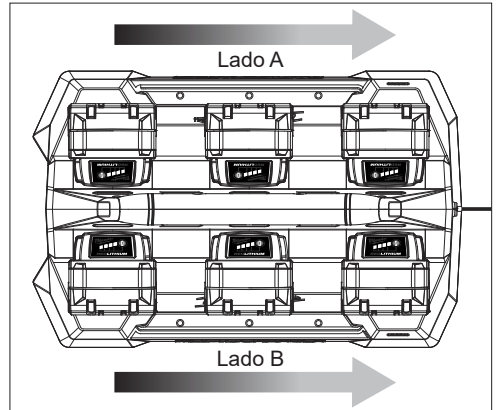
Cuándo cargar la batería con este cargador de MILWAUKEE

Quite la batería del producto para cargarla cuando usted lo considere necesario para la tarea que va a realizar. Las baterías de MILWAUKEE no desarrollan una "memoria" cuando se cargan después de una descarga parcial. No es necesario que la batería se quede sin energía antes de ponerla en el cargador.

- Use el indicador de carga para determinar el momento en que tiene que cargar su batería de ion de litio de MILWAUKEE.
- La carga de la batería puede cargarse al máximo antes de empezar un proyecto exigente o un día largo de trabajo.
- El único momento en que será necesario cargar la batería de ion de litio de MILWAUKEE es cuando se haya agotado la carga de la batería. Para indicar que la carga se agotó, la potencia del producto bajará rápidamente, lo que permitirá contar con la potencia suficiente para terminar la operación. Cargue la batería según sea necesario.

Cómo cargar la batería

Alinee la batería con la base y deslice la batería hacia el interior del cargador tanto como sea posible. La luz roja se encenderá, ya sea que parpadee rápidamente (la batería o el cargador están demasiado fríos o calientes), parpadee lentamente (la comunicación entre la batería y el cargador) o parpadee de manera continua (la batería se está cargando).



- El modelo 48-59-1809 tiene la capacidad de cargar dos baterías al mismo tiempo, una en cada lado del cargador. Posteriormente, cargará cualquier otra batería conectada en orden secuencial, siguiendo el sentido de las flechas que está en el cargador.
- Si se conectan baterías a un cargador que ya está conectado a la corriente, se cargará primero la primera batería que se haya puesto. El sentido de las flechas en el cargador indica la próxima batería que se cargará.
- Si se conectan baterías a un cargador antes de conectarlo a la corriente, el sentido de las flechas en el cargador indicará el orden de carga.
- El tiempo de carga depende de la capacidad de la batería. Las baterías que se hayan usado demasiado tardarán más tiempo en cargarse por completo.
- Las luces del indicador de carga en las baterías M18™ se encenderán conforme se cargue la batería, lo que indicará cuánta carga tiene la batería. El indicador de carga se apagará cuando la carga esté completa.
- Después de que la carga esté completa, aparecerá la luz verde continua.
- Si el indicador luminoso parpadea en rojo y verde o no se enciende, asegúrese de que la batería esté bien puesta en el compartimento. Quite la batería y vuélvala a poner. Si el problema persiste, quite la o las baterías y desconecte el cargador al menos 2 minutos. Después de 2 minutos, vuelva a conectar el cargador y ponga la batería. Si persiste el problema, comuníquese con un centro de servicio de MILWAUKEE.

MANTENIMIENTO

Carga de una batería caliente o fría

El cargador cuenta con piezas electrónicas avanzadas que ajustan el esquema de carga según la temperatura de la batería. Las baterías calientes o frías pueden tardar más tiempo en cargarse. Cuando la temperatura de la batería se encuentre fuera del rango normal de carga, la luz roja parpadeará y la batería no se cargará. La carga normal empezará y la luz roja será continua cuando la batería se encuentre dentro del rango aceptable. Esto optimiza el tiempo de carga y la vida útil de la batería.

Temperatura del paquete de batería	Luz indicadora roja del cargador	Estado de carga
Demasiado caliente	Intermitente	No está cargando
Temperatura apropiada	Continua	Carga normal
Demasiado fría	Intermitente	No está cargando

Suministro de energía al cargador con un inversor o un generador

El cargador funcionará con la mayoría de los generadores 120-127 V e inversores con una clasificación de 500 W o más.

Conector USB

Es posible utilizar este conector para cargar un teléfono celular, un reproductor MP3 o cualquier otro dispositivo que use una corriente eléctrica directa de menos de 2,1 A.

NOTA: Todo dispositivo que consuma más de 2,1 A de corriente eléctrica CD activará una sobrecarga de reinicio automático y deshabilitará el conector.

⚠ ADVERTENCIA Para reducir el riesgo de incendio, lesión física y daños al producto ocasionados por un cortocircuito, nunca sumerja la herramienta, la batería o el cargador en un líquido, ni permita que un líquido fluya hacia su interior. Los líquidos corrosivos o conductivos, como es el caso del agua de mar, ciertos químicos industriales y el cloro o los productos de cloro, etc., podrán provocar un corto circuito.

Siempre desconecte el cargador y quite la batería del cargador antes de realizar algún tipo de mantenimiento. Nunca desarme la batería o el cargador. Para TODAS las reparaciones, comuníquese con un centro de servicio de MILWAUKEE.

Limpeza

No exponga sus baterías, cargadores o herramientas a los líquidos, el agua o la lluvia, ni permita que se mojen. Esto podría ocasionar daños a la herramienta, el cargador y la batería. Limpie el polvo y los residuos de las ventilas de la herramienta, el cargador y la batería, así como los contactos eléctricos, con una aspiradora o un cepillo. Limpie las carcasas con un trapo húmedo con jabón, siempre teniendo cuidado de no tocar ninguno de los contactos eléctricos. Ciertos limpiadores y solventes, como la gasolina, la terebintina, el adalgazante de laca, el adalgazante de pintura, el cloro, los solventes de limpieza con cloro, el amoníaco y los detergentes de uso doméstico con amoníaco, son nocivos para los plásticos y otras piezas aisladas, ya que las carcasas de plástico se astillarán y se cuartearán. Nunca use solventes inflamables ni combustibles cerca de la batería, cargador o herramientas.

Almacenaje

Como recomendación general, es mejor desconectar los cargadores y quitar las baterías cuando no se estén usando, aunque no ocurran daños a la batería. Guárdese a temperatura ambiente, alejado de la humedad. Guarde las baterías en vertical. No se guarde en lugares húmedos donde pueda ocurrir la corrosión de las terminales. El hecho de guardar en altas temperaturas (de más de 50°C (120°F)) durante largos periodos puede ocasionar la pérdida permanente de potencia en una batería. Cárguese antes de usarse si ha estado demasiado tiempo guardado.

Reparaciones

Sin piezas reparables.

SOPORTE DE SERVICIO - MEXICO

CENTRO DE ATENCION A CLIENTES

Techtronic Industries Mexico, S.A. de C.V.

Av. Presidente Masarik 29 Piso 7

11560 Polanco V Seccion

Miguel Hidalgo, Distrito Federal, México

01 (800) 030-7777 o (55) 4160-3540

Lunes a Viernes (9am a 6pm)

O contáctanos en www.milwaukeetool.com.mx

GARANTÍA LIMITADA - E.U.A. Y CANADA

Todas las baterías de MILWAUKEE (que se venden con productos inalámbricos y/o como baterías de repuesto) están garantizadas ante el comprador original por un distribuidor autorizado MILWAUKEE únicamente de que no tengan material y mano de obra defectuosos. Con algunas excepciones, MILWAUKEE reparará o cambiará una batería que tenga defectos de material o mano de obra, según lo determine MILWAUKEE mediante una revisión, durante la vigencia indicada a partir de la fecha de compra. Devuelva la batería a un centro de servicio de fábrica de MILWAUKEE o a una estación de servicio autorizada de MILWAUKEE, con el flete prepagado y asegurado. Para fines de un envío correcto de baterías, llame al 1.800.SAWDUST (1.800.729.3878) o visite www.milwaukeeool.com. Se debe incluir una copia del comprobante de compra con el producto devuelto. Esta garantía no aplica a daños que MILWAUKEE determine que son ocasionados por reparaciones o intentos de reparaciones realizados por una persona que no sea personal autorizado de MILWAUKEE, uso indebido, alteraciones, maltrato, desgaste normal, falta de mantenimiento o accidentes.

Batería Cat. No.	Química	Periodo de la garantía (a partir de la fecha de compra)
48-11-1812, 48-11-1813, 48-11-1828 (Número de serie de prefijo "B41E" y posterior), 48-11-1840, 48-11-1850, 48-11-1850R, 48-11-1860, 48-11-1861, 48-11-1865, 48-11-1880, 48-11-1881, 48-11-1890, 48-11-2402, 48-11-2440, 48-11-2450, 48-11-2460, 48-11-2830 (Número de serie de prefijo "C71")	iones de litio	Tres (3) años
48-11-0490, 48-11-1815, 48-11-1820, 48-11-1835, 48-11-2001, 48-11-2330, 48-11-2401, 48-11-2420, 48-11-2425, 48-11-2430	iones de litio	Dos (2) años
48-11-1828 (Número de serie de prefijo "B41D" y anterior), 48-11-1830 (Número de serie de prefijo "A95"), 48-11-2830 (Número de serie de prefijo "A71")	iones de litio	Dos (2) años: más tres años de prorrateo (prorrateado)*
48-11-0100, 48-11-1024, 48-11-1830 (Número de serie de prefijo "E95"), 48-11-1970, 48-11-2230	Ni-Cd/ níquel-cadmio, Ni-MH/ níquel-hidruro metálico, iones de litio	Un (1) año

*La vigencia de la garantía de los productos MILWAUKEE M18™ 48-11-1828 (con el prefijo de número de serie "B41D" y anteriores), V18™ 48-11-1830 (con el prefijo de número de serie "A95") y V28™ 48-11-2830 (con el prefijo de número de serie "A71") es de cinco (5) años / 2 000 cargas a partir de la fecha de compra, lo primero que ocurra. Las primeras 1 000 cargas o los primeros 2 años de la garantía, el que ocurriere primero, quedan cubiertos con un repuesto gratuito de una batería defectuosa. Esto quiere decir que, por las primeras 1 000 cargas o los primeros dos (2) años contados a partir de la fecha de compra / la primera carga, el que ocurriere primero, el cliente recibirá una batería de repuesto sin costo por una batería defectuosa. En lo sucesivo, las cargas restantes hasta cumplirse las 2 000 o la cantidad de años restantes del periodo de vigencia de cinco (5) años a partir de la fecha de compra, el que ocurriere primero, quedarán cubiertos por la garantía de manera proporcional. Esto quiere decir que cada cliente recibirá un beneficio de 1 000 cargas o tres (3) años adicionales de garantía proporcional por estas baterías, según el uso de las mismas. MILWAUKEE M18™ 48-11-1828 (con el prefijo de número de serie "B41E" y posterior), V18™ 48-11-1830 (con el prefijo de número de serie "E95") y M28™ 48-11-2830 (con el prefijo de número de serie "C71") tendrán vigencias distintas, según se indique.

No es necesario realizar el registro de la garantía para recibir la garantía correspondiente a una batería MILWAUKEE. La fecha de fabricación del producto servirá para determinar la vigencia de la garantía en caso de que no presente ningún comprobante de compra al solicitar el servicio en garantía.

LA ACEPTACIÓN DE LOS RESARCIMIENTOS EXCLUSIVOS DE REPARACIÓN Y SUSTITUCIÓN AQUÍ DESCRITOS ES UNA CONDICIÓN DEL CONTRATO EN CUANTO A LA COMPRA DE TODO PRODUCTO DE MILWAUKEE. SI USTED NO ACEPTA ESTA CONDICIÓN, NO DEBE COMPRAR EL PRODUCTO. MILWAUKEE NO SERÁ RESPONSABLE EN NINGUN CASO DE DAÑOS INCIDENTALES, ESPECIALES, EMERGENTES O PUNITIVOS NI DE NINGUN COSTO, HONORARIOS DE ABOGADOS, GASTOS, PÉRDIDAS O DEMORAS QUE SUPUESTAMENTE SEAN CONSECUENCIA DE ALGUN DAÑO, FALLA O DEFECTO DE ALGUNO DE LOS PRODUCTOS, INCLUYENDO, ENTRE OTROS, RECLAMACIONES POR PÉRDIDA DE UTILIDADES. ALGUNOS ESTADOS NO PERMITEN LA EXCLUSIÓN O LIMITACIÓN DE RESPONSABILIDAD POR DAÑOS INCIDENTALES O EMERGENTES, POR LO QUE LA ANTERIOR LIMITACIÓN O EXCLUSIÓN PODRÍA NO APLICARSE EN SU CASO. ESTA GARANTÍA ES EXCLUSIVA Y SUSTITUYE TODAS LAS DEMÁS GARANTÍAS EXPRESAS, SEAN ESTAS ESCRITAS U ORALES. HASTA DONDE PERMITA LA LEY, MILWAUKEE DESCONOCE CUALQUIER GARANTÍA IMPLÍCITA, INCLUYENDO, SIN LIMITACIÓN, CUALQUIER GARANTÍA IMPLÍCITA DE COMERCIABILIDAD O IDONEIDAD PARA UN FIN O USO ESPECÍFICO; HASTA EN QUE DICHO DESCONOCIMIENTO NO SEA PERMITIDO POR LA LEY, DICHAS GARANTÍAS IMPLÍCITAS SE LIMITAN A LA DURACIÓN DE LA GARANTÍA EXPRESA CORRESPONDIENTE SEGÚN LO ARRIBA DESCRITO. ALGUNOS ESTADOS NO PERMITEN LIMITACIONES EN LA VIGENCIA DE UNA GARANTÍA IMPLÍCITA, POR LO QUE LA ANTERIOR LIMITACIÓN PODRÍA NO APLICAR A USTED. ESTA GARANTÍA LE CONFIERE DERECHOS JURÍDICOS ESPECÍFICOS Y USTED PODRÍA, ADEMÁS, TENER OTROS DERECHOS QUE VARIAN SEGÚN EL ESTADO.

Esta garantía aplica únicamente a los productos vendidos en EE. UU. y Canadá.

Consulte la pestaña "Búsqueda de centros de servicio" en la sección de "Piezas y servicio" del sitio web de MILWAUKEE en www.milwaukeeool.com o llame al 1.800.SAWDUST (1.800.729.3878) para localizar su centro de servicio más cercano para darle servicio, con y sin garantía, a una batería de MILWAUKEE.

GARANTÍA LIMITADA - E.U.A. Y CANADA

Esta herramienta eléctrica de MILWAUKEE™ está garantizada, ante el comprador original únicamente, por parte de un distribuidor autorizado MILWAUKEE, de que no tenga material y mano de obra defectuosos. Sujeto a ciertas excepciones, MILWAUKEE reparará o sustituirá cualquier pieza de esta herramienta eléctrica que tenga defectos de material o mano de obra según lo determine MILWAUKEE mediante una revisión, por un periodo de cinco (5) años después de la fecha de compra a menos que se indique lo contrario. Al devolver la herramienta eléctrica a un centro de servicio de fábrica de MILWAUKEE o a una estación de servicio autorizada de MILWAUKEE, es necesario que la devolución se haga con flete pagado por adelantado y asegurado. Se debe incluir una copia del comprobante de compra con el producto devuelto. Esta garantía no aplica a daños que MILWAUKEE determine que son ocasionados por reparaciones o intentos de reparaciones realizados por una persona que no sea personal autorizado de MILWAUKEE, uso indebido, alteraciones, maltrato, desgaste normal, falta de mantenimiento o accidentes.

Desgaste normal: Muchas herramientas eléctricas necesitan cambios de piezas y mantenimiento periódicos para alcanzar su máximo rendimiento. Esta garantía no cubre la reparación cuando el uso normal ha agotado la vida útil de una pieza, incluyendo, entre otros, mandriles, cepillos, cables, zapatas de la sierra, abrazaderas de la hoja, juntas tóricas, sellos, protectores, hojas de accionamiento, pistones, herrajes, levantadores y arandelas de cubierta de los protectores.

*La presente garantía no cubre ni las baterías ni todas las herramientas eléctricas. Consulte las distintas garantías independientes que están disponibles para estos productos.

La vigencia de la garantía de la luz LED en la lámpara LED de trabajo (49-24-0171) y el foco mejorado de LED (49-81-0090) es la misma que la vida útil del producto sujeto a las limitaciones anteriores. Si la luz LED o el foco mejorado LED presentan fallas durante su suso normal, se cambiará la pieza sin costo.

No es necesario realizar el registro de la garantía para recibir la garantía correspondiente a un producto de herramienta eléctrica de MILWAUKEE. La fecha de fabricación del producto servirá para determinar la vigencia de la garantía en caso de que no presente ningún comprobante de compra al solicitar el servicio en garantía.

LA ACEPTACIÓN DE LOS RESARCIMIENTOS EXCLUSIVOS DE REPARACIÓN Y SUSTITUCIÓN AQUÍ DESCRITOS ES UNA CONDICIÓN DEL CONTRATO EN CUANTO A LA COMPRA DE TODO PRODUCTO DE MILWAUKEE. SI USTED NO ACEPTA ESTA CONDICIÓN, NO DEBE COMPRAR EL PRODUCTO. MILWAUKEE NO SERÁ RESPONSABLE EN NINGÚN CASO DE DAÑOS INCIDENTALES, ESPECIALES, EMERGENTES O PUNITIVOS NI DE NINGÚN COSTO, HONORARIOS DE ABOGADOS, GASTOS, PÉRDIDAS O DEMORAS QUE SUPUESTAMENTE SEAN CONSECUENCIA DE ALGÚN DAÑO, FALLA O DEFECTO DE ALGUNO DE LOS PRODUCTOS, INCLUYENDO, ENTRE OTROS, RECLAMACIONES POR PÉRDIDA DE UTILIDADES. ALGUNOS ESTADOS NO PERMITEN LA EXCLUSIÓN O LIMITACIÓN DE RESPONSABILIDAD POR DAÑOS INCIDENTALES O EMERGENTES, POR LO QUE LA ANTERIOR LIMITACIÓN O EXCLUSIÓN PODRÍA NO APLICARSE EN SU CASO. ESTA GARANTÍA ES EXCLUSIVA Y SUSTITUYE TODAS LAS DEMÁS GARANTÍAS EXPRESAS, SEAN ESTAS ESCRITAS U ORALES. HASTA DONDE PERMITA LA LEY, MILWAUKEE DESCONOCE CUALQUIER GARANTÍA IMPLÍCITA, INCLUYENDO, SIN LIMITACIÓN, CUALQUIER GARANTÍA IMPLÍCITA DE COMERCIABILIDAD O IDONEIDAD PARA UN FIN O USO ESPECÍFICO; HASTA EN QUE DICHO DESCONOCIMIENTO NO SEA PERMITIDO POR LA LEY, DICHAS GARANTÍAS IMPLÍCITAS SE LIMITAN A LA DURACIÓN DE LA GARANTÍA EXPRESA CORRESPONDIENTE SEGÚN LO ARRIBA DESCRITO. ALGUNOS ESTADOS NO PERMITEN LIMITACIONES EN LA VIGENCIA DE UNA GARANTÍA IMPLÍCITA, POR LO QUE LA ANTERIOR LIMITACIÓN PUDIERA NO APLICAR A USTED, ESTA GARANTÍA LE CONFIERE DERECHOS JURÍDICOS ESPECÍFICOS Y USTED PODRÍA, ADEMÁS, TENER OTROS DERECHOS QUE VARIAN SEGÚN EL ESTADO.

Esta garantía aplica únicamente a los productos vendidos en EE. UU. y Canadá.

Consulte la pestaña "Búsqueda de centro de servicio" en la sección de Partes y servicio del sitio web de MILWAUKEE en www.milwaukeetool.com o llame al 1.800.SAWDUST (1.800.729.3878) para localizar su centro de servicio más cercano para darle servicio, con y sin garantía, a una herramienta de MILWAUKEE.

PÓLIZA DE GARANTÍA - VALIDA SOLO PARA MÉXICO, AMÉRICA CENTRAL Y EL CARIBE

La garantía de TECHTRONIC INDUSTRIES es por 5 años a partir de la fecha original de compra.

Esta tarjeta de garantía cubre cualquier defecto de material y mano de obra en ese Producto.

Para hacer válida esta garantía, presente esta tarjeta de garantía, cerrada/sellada por el distribuidor o la tienda donde compró el producto, al Centro de Servicio Autorizado (ASC). O, si esta tarjeta no se ha cerrado/sellado, presente la prueba original de compra a ASC. Llame 55 4160-3547 para encontrar el ASC más cercano, para servicio, partes, accesorios o componentes.

Procedimiento para hacer válida esta garantía

Lleve el producto a ASC, junto con la tarjeta de garantía cerrada/sellada por el distribuidor o la tienda donde compró el producto, y cualquier pieza o componente defectuoso se reemplazará sin costo para usted. Cubriremos todos los costos de flete con relación a este proceso de garantía.

Excepciones

Esta garantía no tendrá validez en las siguientes situaciones:

- Cuando el producto se use de manera distinta a la que indica el manual del usuario final o de instrucciones.
- Cuando las condiciones de uso no sean normales.
- Cuando otras personas no autorizadas por TECHTRONIC INDUSTRIES modifiquen o reparen el producto.

Nota: si el juego de cables está dañado, puede que reemplazarse en un Centro de Servicio Autorizado para evitar riesgos eléctricos.

CENTRO DE SERVICIO Y ATENCIÓN

Llame al 55 4160-3547

IMPORTADO Y COMERCIALIZADO POR
TECHTRONIC INDUSTRIES, MÉXICO, S.A. DE C.V.
Miguel de Cervantes Saavedra No.301 Piso 5, Torre Norte
11520 Colonia Ampliación Granada
Miguel Hidalgo, Ciudad de Mexico, Mexico

Modelo: _____

Fecha de Compra: _____

Sello del Distribuidor: _____

MILWAUKEE TOOL
13135 West Lisbon Road
Brookfield, WI 53005 USA

58140224d3
03/24

961015609-01(A)
Printed in