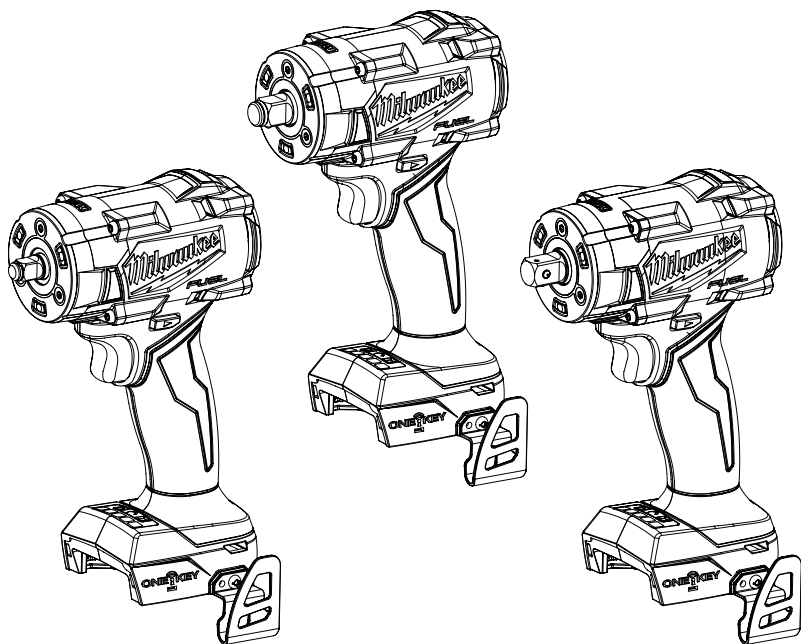




OPERATOR'S MANUAL  
MANUEL de L'UTILISATEUR  
MANUAL del OPERADOR



Cat. No. / No de cat.  
3060-20, 3061-20, 3061P-20

**M18 FUEL™ CONTROLLED TORQUE COMPACT IMPACT WRENCHES**  
**CLÉS À CHOCS À COUPLE CONTRÔLÉ M18 FUEL™**  
**LLAVES DE IMPACTO DE TORQUE CONTROLADO M18 FUEL™**



**WARNING** To reduce the risk of injury, user must read and understand operator's manual.

**AVERTISSEMENT** Afin de réduire le risque de blessures, l'utilisateur doit lire et bien comprendre le manuel.

**ADVERTENCIA** Para reducir el riesgo de lesiones, el usuario debe leer y entender el manual.

## GENERAL POWER TOOL SAFETY WARNINGS

**⚠WARNING** Read all safety warnings, instructions, illustrations and specifications provided with this power tool. Failure to follow all instructions listed below may result in electric shock, fire and/or serious injury. **Save all warnings and instructions for future reference.** The term "power tool" in the warnings refers to your mains-operated (corded) power tool or battery-operated (cordless) power tool.

### WORK AREA SAFETY

- **Keep work area clean and well lit.** Cluttered or dark areas invite accidents.
- **Do not operate power tools in explosive atmospheres, such as in the presence of flammable liquids, gases or dust.** Power tools create sparks which may ignite the dust or fumes.
- **Keep children and bystanders away while operating a power tool.** Distractions can cause you to lose control.

### ELECTRICAL SAFETY

- **Power tool plugs must match the outlet.** Never modify the plug in any way. Do not use any adapter plugs with earthed (grounded) power tools. Unmodified plugs and matching outlets will reduce risk of electric shock.
- **Avoid body contact with earthed or grounded surfaces, such as pipes, radiators, ranges and refrigerators.** There is an increased risk of electric shock if your body is earthed or grounded.
- **Do not expose power tools to rain or wet conditions.** Water entering a power tool will increase the risk of electric shock.
- **Do not abuse the cord.** Never use the cord for carrying, pulling or unplugging the power tool. **Keep cord away from heat, oil, sharp edges or moving parts.** Damaged or entangled cords increase the risk of electric shock.
- **When operating a power tool outdoors, use an extension cord suitable for outdoor use.** Use of a cord suitable for outdoor use reduces the risk of electric shock.
- **If operating a power tool in a damp location is unavoidable, use a ground fault circuit interrupter (GFCI) protected supply.** Use of an GFCI reduces the risk of electric shock.

### PERSONAL SAFETY

- **Stay alert, watch what you are doing and use common sense when operating a power tool. Do not use a power tool while you are tired or under the influence of drugs, alcohol or medication.** A moment of inattention while operating power tools may result in serious personal injury.
- **Use personal protective equipment. Always wear eye protection.** Protective equipment such as a dust mask, non-skid safety shoes, hard hat or hearing protection used for appropriate conditions will reduce personal injuries.

- **Prevent unintentional starting.** Ensure the switch is in the off-position before connecting to power source and/or battery pack, picking up or carrying the tool. Carrying power tools with your finger on the switch or energizing power tools that have the switch on invites accidents.
- **Remove any adjusting key or wrench before turning the power tool on.** A wrench or a key left attached to a rotating part of the power tool may result in personal injury.
- **Do not overreach. Keep proper footing and balance at all times.** This enables better control of the power tool in unexpected situations.
- **Dress properly. Do not wear loose clothing or jewelry. Keep your hair and clothing away from moving parts.** Loose clothes, jewelry or long hair can be caught in moving parts.
- **If devices are provided for the connection of dust extraction and collection facilities, ensure these are connected and properly used.** Use of dust collection can reduce dust-related hazards.
- **Do not let familiarity gained from frequent use of tools allow you to become complacent and ignore tool safety principles.** A careless action can cause severe injury within a fraction of a second.

### POWER TOOL USE AND CARE

- **Do not force the power tool. Use the correct power tool for your application.** The correct power tool will do the job better and safer at the rate for which it was designed.
- **Do not use the power tool if the switch does not turn it on and off.** Any power tool that cannot be controlled with the switch is dangerous and must be repaired.
- **Disconnect the plug from the power source and/ or remove the battery pack, if detachable, from the power tool before making any adjustments, changing accessories, or storing power tools.** Such preventive safety measures reduce the risk of starting the power tool accidentally.
- **Store idle power tools out of the reach of children and do not allow persons unfamiliar with the power tool or these instructions to operate the power tool.** Power tools are dangerous in the hands of untrained users.
- **Maintain power tools and accessories. Check for misalignment or binding of moving parts, breakage of parts and any other condition that may affect the power tool's operation. If damaged, have the power tool repaired before use.** Many accidents are caused by poorly maintained power tools.
- **Keep cutting tools sharp and clean.** Properly maintained cutting tools with sharp cutting edges are less likely to bind and are easier to control.
- **Use the power tool, accessories and tool bits etc. in accordance with these instructions, taking into account the working conditions and the work to be performed.** Use of the power tool for operations different from those intended could result in a hazardous situation.

• **Keep handles and grasping surfaces dry, clean and free from oil and grease.** Slippery handles and grasping surfaces do not allow for safe handling and control of the tool in unexpected situations.

## BATTERY TOOL USE AND CARE

- **Recharge only with the charger specified by the manufacturer.** A charger that is suitable for one type of battery pack may create a risk of fire when used with another battery pack.
- **Use power tools only with specifically designated battery packs.** Use of any other battery packs may create a risk of injury and fire.
- **When battery pack is not in use, keep it away from other metal objects, like paper clips, coins, keys, nails, screws or other small metal objects, that can make a connection from one terminal to another.** Shorting the battery terminals together may cause burns or a fire.
- **Under abusive conditions, liquid may be ejected from the battery; avoid contact.** If contact accidentally occurs, flush with water. If liquid contacts eyes, additionally seek medical help. Liquid ejected from the battery may cause irritation or burns.
- **Do not use a battery pack or tool that is damaged or modified.** Damaged or modified batteries may exhibit unpredictable behavior resulting in fire, explosion or risk of injury.
- **Do not expose a battery pack or tool to fire or excessive temperature.** Exposure to fire or temperature above 265°F (130°C) may cause explosion.
- **Follow all charging instructions and do not charge the battery pack or tool outside the temperature range specified in the instructions.** Charging improperly or at temperatures outside the specified range may damage the battery and increase the risk of fire.

## SERVICE

- **Have your power tool serviced by a qualified repair person using only identical replacement parts.** This will ensure that the safety of the power tool is maintained.
- **Never service damaged battery packs.** Service of battery packs should only be performed by the manufacturer or authorized service providers.

## SPECIFIC SAFETY RULES FOR IMPACT WRENCHES

- **Hold the power tool by insulated gripping surfaces, when performing an operation where the fastener may contact hidden wiring.** Fasteners contacting a “live” wire may make exposed metal parts of the power tool “live” and could give the operator an electric shock.
- **Wear ear protectors when impact drilling.** Exposure to noise can cause hearing loss.
- **Use only sockets and other accessories specifically designed for use on impact wrenches and drivers.** Other sockets and accessories might shatter or break causing injury.

- **Over-torquing can cause damage. Do not flex the head of the tool for leverage. Excessive force on the tool in anyway will cause permanent damage.**
- **Damaged accessories can cause injury.** Inspect accessories to insure a snug fit on fasteners to prevent slippage. Ensure the accessories being used are rated for the torque being applied.
- **Chemical Burn Hazard. Keep coin cell battery away from children.**
- **If using with a lanyard, do not exceed maximum capacity marked on the lanyard label.** Always determine the weight of the product, with all accessories, when selecting the appropriate lanyard system. Exceeding maximum capacity may result in serious injury. See specifications for tool and battery weight.
- **For best results, use only with energy absorbing lanyards. Ropes, straps or chains may break and cause failure. Do not use with lanyards at full tension.**

- **⚠WARNING** To reduce the risk of injury, when working in dusty situations, wear appropriate respiratory protection or use an OSHA compliant dust extraction solution.
- **Always use common sense and be cautious when using tools.** It is not possible to anticipate every situation that could result in a dangerous outcome. Do not use this tool if you do not understand these operating instructions or you feel the work is beyond your capability; contact Milwaukee Tool or a trained professional for additional information or training.
- **Maintain labels and nameplates.** These carry important information. If unreadable or missing, contact a MILWAUKEE service facility for a free replacement.

- **⚠WARNING** Some dust created by power sanding, sawing, grinding, drilling, and other construction activities contains chemicals known to cause cancer, birth defects or other reproductive harm. Some examples of these chemicals are:
  - lead from lead-based paint
  - crystalline silica from bricks and cement and other masonry products, and
  - arsenic and chromium from chemically-treated lumber.

Your risk from these exposures varies, depending on how often you do this type of work. To reduce your exposure to these chemicals: work in a well ventilated area, and work with approved safety equipment, such as those dust masks that are specially designed to filter out microscopic particles.

## SYMBOLGY



Volts



Direct Current

$n_0$  XXXX min<sup>-1</sup> No Load Revolutions per Minute (RPM)

$n$  XXXX min<sup>-1</sup> Impacts per Minute Under Load (IPM)



UL Listing for Canada and U.S.

## SPECIFICATIONS

Volts.....	18 DC
Battery Type.....	M18™
Charger Type.....	M18™
Module/FCC ID.....	5123A-11/QOQ11
Weight.....	2.8 lbs

(Tool-Only)  
Weight..... 6.3 lbs  
(With heaviest compatible battery pack)

Recommended Ambient  
Operating Temperature..... 0°F to 125°F

**Cat. No.**..... **3060-20**  
Anvil Type..... 3/8" Friction Ring

RPM..... 0-2325  
IPM..... 0-3500

**Cat. No.**..... **3061-20**  
Anvil Type..... 1/2" Friction Ring

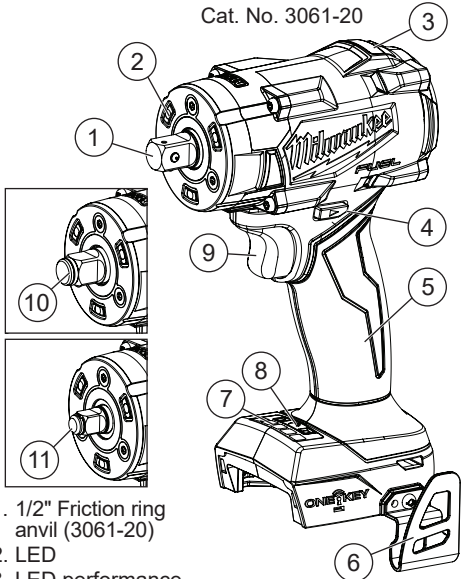
RPM..... 0-2325  
IPM..... 0-3500

**Cat. No.**..... **3061P-20**  
Anvil Type..... 1/2" Detent Pin

RPM..... 0-2325  
IPM..... 0-3500

## FUNCTIONAL DESCRIPTION

Cat. No. 3061-20



- 1/2" Friction ring anvil (3061-20)
- LED
- LED performance indicator
- Control switch
- Handle
- Belt clip
- Speed control indicator

- Drive control button
- Trigger
- 1/2" Detent pin anvil (3061P-20)
- 3/8" Friction ring anvil (3060-20)

## ASSEMBLY

**⚠ WARNING** Recharge only with the charger specified for the battery. For specific charging instructions, read the operator's manual supplied with your charger and battery.

### Removing/Inserting the Battery

To remove the battery, push in the release buttons and pull the battery pack away from the tool.

**⚠ WARNING** Always remove the battery pack any time the tool is not in use.

To insert the battery, slide the pack into the body of the tool. Make sure it latches securely into place.

**⚠ WARNING** Use only sockets and other accessories specifically designed for use on impact wrenches and drivers. Other sockets and accessories might shatter or break causing injury.

### Attaching and Removing Accessories

#### Square Drive Impact Wrenches

(Cat. No. 3060-20, 3061-20)

- ⚠ WARNING!** Remove battery to avoid starting the tool.
- Use only the appropriate size square drive sockets.
- To attach a socket, align the accessory with the anvil and push it firmly over the retaining ring.
- To remove the accessory, pull the accessory off the anvil.

#### Square Drive Impact Wrench with Pin Detent

(Cat. No. 3061P-20)

- ⚠ WARNING!** Remove battery to avoid starting the tool.
- Use only the appropriate size square drive sockets.
- To attach a socket, align the hole in the accessory with the detent pin on the anvil. Hold the detent pin in while pushing the socket onto the anvil. The detent pin will snap into place in the hole to secure the socket.
- To remove the socket, insert a nail or other thin object into the hole in the accessory and press in the detent pin. Pull the accessory off the anvil.

### ONE-KEY™

To learn more about the ONE-KEY™ functionality for this tool, go to [milwaukeetool.com/One-Key](http://milwaukeetool.com/One-Key). To download the ONE-KEY™ app, visit the App Store® or Google Play™ from your smart device.

#### ONE-KEY™ Indicator

Solid Blue	Wireless mode is active and ready to be configured via the ONE-KEY™ app.
Blinking Blue	Tool is actively communicating with the ONE-KEY™ app.
Blinking Red	Tool is in security lockout and can be unlocked by the owner via the ONE-KEY™ app.

## OPERATION



**WARNING** To reduce the risk of injury, always wear proper eye protection marked to comply with ANSI Z87.1.

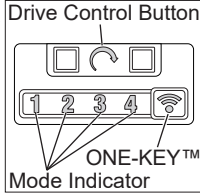
When working in dusty situations, wear appropriate respiratory protection or use an OSHA compliant dust extraction solution.

### Using the Drive Control

The drive control button is used to adjust the torque, rotation speed (RPM), and impact speed (IPM) for the application.

To select the drive control mode:

1. Pull and release the trigger to turn on the tool. The current mode indicator is lit.
2. Press the drive control button  to cycle through the modes. Select wireless  to change the default settings via the ONE-KEY™ app on your smart device.

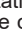



When the desired mode indicator is lit, begin work.

**NOTE:** Select the torque range in accordance with the equipment manufacturers fastening instructions. For precision applications, confirm the final tightening torque with a calibrated device.

### Using the Control Switch

The control switch may be set to three positions: forward, reverse and lock. Due to a lockout mechanism, the control switch can only be adjusted when the ON/OFF switch is not pressed. Always allow the motor to come to a complete stop before using the control switch.



For **forward** (clockwise) rotation, push in the control switch  from the right side of the tool. **Check the direction of rotation before use.**

For **reverse** (counterclockwise) rotation, push in the control switch  from the left side of the tool. **Check direction of rotation before use.**

To **lock** the trigger, push the control switch to the center position. The trigger will not work while the control switch is in the center locked position. Always lock the trigger or remove the battery pack before performing maintenance, changing accessories, storing the tool and any time the tool is not in use.


### Direction Lock

Use the Direction Lock feature via the ONE-KEY™ app to restrict the tool direction to either FORWARD or REVERSE.

	Control switch in forward 	Control switch in reverse 
ONE-KEY™ Direction Lock set to <b>FORWARD</b>	Tool will run in forward only	Tool will not run, LED performance indicator will light
ONE-KEY™ Direction Lock set to <b>REVERSE</b>	Tool will not run, LED performance indicator will light	Tool will run in reverse only
ONE-KEY™ Direction Lock set to <b>OFF</b>	Tool will run in forward	Tool will run in reverse

### Selecting Speed

Mode	RPM	IPM
1	0 - 1125	0 - 1650
2	0 - 1525	0 - 2475
3	0 - 1850	0 - 3000
4	0 - 2325	0 - 3500

Allow the tool to come to a complete stop before changing speeds. Press the selector button  to cycle between the settings.

### ONE-KEY™ Enabled Modes

**WARNING** Scan the QR code below and read all instructions, illustrations, and specifications for each of the enabled modes for this tool. Use the proper tool mode and mode settings in the ONE-KEY™ app for the intended application. Property damage, flooding, breakage, or other damage or failure can occur if the mode's instructions are not properly followed.

Read all safety warnings, instructions, illustrations and specifications supplied with the parts, accessories, fixture, attachment, etc. Only use with approved items as designated in the ONE-KEY™ app.

Always confirm the final tightening torque with a calibrated torque tool when precision fastening is required.

Scan this QR code to access Operation instructions and the most up to date product use information.

To signify that the tool may be out of an acceptable performance tolerance, the LED performance indicators will flash. Refer to the troubleshooting section in the ONE-KEY™ app. The tool will still operate, but may not be delivering the desired output.



## Starting, Stopping and Controlling Speed

1. To **start** the tool, grasp the handle(s) firmly and pull the trigger.  
**NOTE:** An LED is turned on when the trigger is pulled and will go off shortly after the trigger is released.
2. To **vary** the speed, increase or decrease the pressure on the trigger. The further the trigger is pulled, the greater the speed.
3. To **stop** the tool, release the trigger. Ensure the tool has come to a complete stop before laying the tool down.

## Impacting Techniques

The longer a bolt, screw, or nut is impacted, the tighter it will become. To help prevent damaging the fasteners or workpieces, avoid excessive impacting. Be particularly careful when impacting smaller fasteners because they require less impacting to reach optimum torque.

Practice with various fasteners, noting the length of time required to reach the desired torque. Check the tightness with a hand-torque wrench. If the fasteners are too tight, reduce the impacting time. If they are not tight enough, increase the impacting time.

Oil, dirt, rust or other matter on the threads or under the head of the fastener affects the degree of tightness. The torque required to loosen a fastener averages 75% to 80% of the tightening torque, depending on the condition of the contacting surfaces.

On light gasket jobs, run each fastener down to a relatively light torque and use a hand torque wrench for final tightening.

## MAINTENANCE

**WARNING** To reduce the risk of injury, always unplug the charger and remove the battery pack from the charger or tool before performing any maintenance. Never disassemble the battery pack, charger, or tool, except as provided in these instructions. Contact a MILWAUKEE service facility for all other repairs.

## Maintaining Tool

Keep your tool, battery pack and charger in good repair by adopting a regular maintenance program. Inspect your tool for issues such as undue noise, misalignment or binding of moving parts, breakage of parts, or any other condition that may affect the tool operation. Return the tool, battery pack, and charger to a MILWAUKEE service facility for repair. After six months to one year, depending on use, return the tool, battery pack and charger to a MILWAUKEE service facility for inspection.

If the tool does not start or operate at full power with a fully charged battery pack, clean the contacts on the battery pack. If the tool still does not work properly, return the tool, charger and battery pack, to a MILWAUKEE service facility for repairs.

## ONE-KEY™

**WARNING** Chemical Burn Hazard. This device contains a lithium button/coin cell battery. A new or used battery can cause severe internal burns and lead to death in as little as 2 hours if swallowed or enters the body. Always secure the battery cover. If it does not close securely, stop using the device, remove the batteries, and keep it away from children. If you think batteries may have been swallowed or entered the body, seek immediate medical attention.



## Internal Coin Cell Battery

An internal coin cell battery is used to facilitate full ONE-KEY™ functionality.

To replace the battery:

1. **WARNING!** Remove tool's battery to avoid starting the tool. The coin cell battery door is located under the battery pack.
2. Loosen the screw(s) and open the coin cell battery door.
3. Remove the old coin cell battery, keep it away from children, and dispose of it properly.
4. Insert the new coin cell battery (3V CR2032), with the positive side facing up.
5. Close the battery door and tighten the screw(s) securely.

**WARNING** To reduce the risk of personal injury and damage, never immerse your tool, battery pack or charger in liquid or allow a liquid to flow inside them.

## Cleaning

Clean dust and debris from any vents. Keep tool clean, dry and free of oil or grease. Use only mild soap and a damp cloth to clean, since certain cleaning agents and solvents are harmful to plastics and other insulated parts. Some of these include gasoline, turpentine, lacquer thinner, paint thinner, chlorinated cleaning solvents, ammonia and household detergents containing ammonia. Never use flammable or combustible solvents around tools.

## Repairs

For repairs, return the tool, battery pack and charger to the nearest authorized service center.

## ACCESSORIES

**WARNING** Use only recommended accessories. Others may be hazardous.

For a complete listing of accessories, go online to [www.milwaukeetool.com](http://www.milwaukeetool.com) or contact a distributor.

## WIRELESS COMMUNICATION

For products provided with wireless communication features, including ONE-KEY™:

Pursuant to part 15.21 of the FCC Rules, do not modify this product. Modification could void your authority to operate the product. This device complies with part 15 of the FCC Rules and ISED-Canada's license exempt RSS standards. Operation is subject to the following two conditions: 1) This device may not cause harmful interference, and 2) This device must accept any interference received, including interference that may cause undesired operation.

## SERVICE - UNITED STATES

# 1-800-SAWDUST (1.800.729.3878)

Monday-Friday, 7:00 AM - 6:30 PM CST

or visit [www.milwaukeeetool.com](http://www.milwaukeeetool.com)

Contact Corporate After Sales Service Technical Support with technical, service/repair, or warranty questions.

Email: [metproductsupport@milwaukeeetool.com](mailto:metproductsupport@milwaukeeetool.com)

Become a Heavy Duty Club Member at [www.milwaukeeetool.com](http://www.milwaukeeetool.com) to receive important notifications regarding your tool purchases.

## SERVICE - CANADA

### Milwaukee Tool (Canada) Ltd

#### 1.877.948.2360

Monday-Friday, 7:00 AM - 4:30 PM CST

or visit [www.milwaukeeetool.ca](http://www.milwaukeeetool.ca)

## LIMITED WARRANTY USA & CANADA

This MILWAUKEE power tool\* is warranted to the original purchaser from an authorized MILWAUKEE distributor only to be free from defects in material and workmanship. Subject to certain exceptions, MILWAUKEE will repair or replace any part on this power tool which, after examination, is determined by MILWAUKEE to be defective in material or workmanship for a period of five (5) years after the date of purchase unless otherwise noted. Return of the power tool to a MILWAUKEE factory Service Center location or MILWAUKEE Authorized Service Station, freight prepaid and insured, is required. A copy of the proof of purchase should be included with the return product. This warranty does not apply to damage that MILWAUKEE determines to be from repairs made or attempted by anyone other than MILWAUKEE authorized personnel, misuse, alterations, abuse, normal wear and tear, lack of maintenance, or accidents.

**Normal Wear:** Many power tools need periodic parts replacement and service to achieve best performance. This warranty does not cover repair when normal use has exhausted the life of a part including, but not limited to, chucks, brushes, cords, saw shoes, blade clamps, o-rings, seals, bumpers, driver blades, pistons, strikers, lifters, and bumper cover washers.

\*This warranty does not cover battery packs or all power tools. Refer to the separate and distinct warranties available for those products. The warranty period for the LED in the LED Work Light (49-24-0171) and the LED Upgrade Bulb (49-81-0090) is the lifetime of the product subject to the limitations above. If during normal use the LED or LED Upgrade Bulb fails, the part will be replaced free of charge.

Warranty Registration is not necessary to obtain the applicable warranty on a MILWAUKEE power tool product. The manufacturing date of the product will be used to determine the warranty period if no proof of purchase is provided at the time warranty service is requested.

**ACCEPTANCE OF THE EXCLUSIVE REPAIR AND REPLACEMENT REMEDIES DESCRIBED HEREIN IS A CONDITION OF THE CONTRACT FOR THE PURCHASE OF EVERY MILWAUKEE PRODUCT. IF YOU DO NOT AGREE TO THIS CONDITION, YOU SHOULD NOT PURCHASE THE PRODUCT. IN NO EVENT SHALL MILWAUKEE BE LIABLE FOR ANY INCIDENTAL, SPECIAL, CONSEQUENTIAL, OR PUNITIVE DAMAGES, OR FOR ANY COSTS, ATTORNEY FEES, EXPENSES, LOSSES OR DELAYS ALLEGED TO BE AS A CONSEQUENCE OF ANY DAMAGE TO, FAILURE OF, OR DEFECT IN ANY PRODUCT INCLUDING, BUT NOT LIMITED TO, ANY CLAIMS FOR LOSS OF PROFITS. SOME STATES DO NOT ALLOW THE EXCLUSION OR LIMITATION OF INCIDENTAL OR CONSEQUENTIAL DAMAGES, SO THE ABOVE LIMITATION OR EXCLUSION MAY NOT APPLY TO YOU. THIS WARRANTY IS EXCLUSIVE AND IN LIEU OF ALL OTHER EXPRESS WARRANTIES, WRITTEN OR ORAL. TO THE EXTENT PERMITTED BY LAW, MILWAUKEE DISCLAIMS ANY IMPLIED WARRANTIES, INCLUDING WITHOUT LIMITATION ANY IMPLIED WARRANTY OF MERCHANTABILITY OR FITNESS FOR A PARTICULAR USE OR PURPOSE, TO THE EXTENT SUCH DISCLAIMER IS NOT PERMITTED BY LAW, SUCH IMPLIED WARRANTIES ARE LIMITED TO THE DURATION OF THE APPLICABLE EXPRESS WARRANTY AS DESCRIBED ABOVE. SOME STATES DO NOT ALLOW LIMITATIONS ON HOW LONG AN IMPLIED WARRANTY LASTS. SO THE ABOVE LIMITATION MAY NOT APPLY TO YOU. THIS WARRANTY GIVES YOU SPECIFIC LEGAL RIGHTS, AND YOU MAY ALSO HAVE OTHER RIGHTS WHICH VARY FROM STATE TO STATE.**

This warranty applies to product sold in the U.S.A. and Canada only. Please consult the 'Service Center Search' in the Parts & Service section of MILWAUKEE's website [www.milwaukeeetool.com](http://www.milwaukeeetool.com) or call 1.800.SAWDUST (1.800.729.3878) to locate your nearest service facility for warranty and non-warranty service on a MILWAUKEE power tool.

## RÈGLES DE SÉCURITÉ GÉNÉRALES RELATIVES AUX OUTILS ÉLECTRIQUES

**⚠️ AVERTISSEMENT** Lire toutes les consignes de sécurité, consignes, illustrations et spécifications fournies avec cet outil électrique. Ne pas suivre l'ensemble des règles et instructions peut entraîner une électrocution, un incendie ou des blessures graves. **Conservé les règles et les instructions à des fins de référence ultérieure.** Le terme «outil électrique» figurant dans les avertissements ci-dessous renvoie à l'outil électrique à alimentation par le réseau (à cordon) ou par batterie (sans fil).

## SÉCURITÉ DU LIEU DE TRAVAIL

- **Veillez à ce que l'aire de travail soit propre et bien éclairée.** Le désordre et le manque de lumière favorisent les accidents.
- **Ne pas utiliser d'outils électriques dans des atmosphères explosives, par exemple en présence de liquides, gaz ou poussières inflammables.** Les outils électriques produisent des étincelles risquant d'enflammer les poussières ou vapeurs.
- **S'assurer que les enfants et les curieux se trouvent à une bonne distance au moment d'utiliser un outil électrique.** Les distractions peuvent causer une perte de contrôle.

## SÉCURITÉ ÉLECTRIQUE

- **Les fiches des outils électriques doivent correspondre à la prise secteur utilisée. Ne jamais modifier la fiche, de quelque façon que ce soit. Ne jamais utiliser d'adaptateurs de fiche avec des outils mis à la terre.** Les fiches et prises non modifiées réduisent le risque de choc électrique.
- **Éviter tout contact avec des surfaces mises à la terre comme des tuyaux, des radiateurs, des cuisinières et des réfrigérateurs.** Le risque de choc électrique est accru lorsque le corps est mis à la terre.
- **Ne pas exposer les outils électriques à l'eau ou l'humidité.** La pénétration d'eau dans ces outils accroît le risque de choc électrique.
- **Ne pas maltraiter le cordon d'alimentation. Ne jamais utiliser le cordon d'alimentation pour transporter l'outil électrique et ne jamais débrancher ce dernier en tirant sur le cordon. Garder le cordon à l'écart de la chaleur, de l'huile, des objets tranchants et des pièces en mouvement.** Un cordon endommagé ou emmêlé accroît le risque de choc électrique.
- **Pour les travaux à l'extérieur, utiliser un cordon spécialement conçu à cet effet.** Utiliser un cordon conçu pour l'usage extérieur réduit les risques de choc électrique.
- **Si l'utilisation d'un outil électrique est inévitable dans un endroit humide, utiliser une source d'alimentation munie d'un disjoncteur de fuite de terre.** L'utilisation d'un disjoncteur de fuite de terre réduit le risque de choc électrique.

## SÉCURITÉ INDIVIDUELLE

- **Rester attentif, prêter attention au travail et faire preuve de bon sens lors de l'utilisation de tout outil électrique. Ne pas utiliser cet appareil en cas de fatigue ou sous l'influence de l'alcool, de drogues ou de médicaments.** Un moment d'inattention pendant l'utilisation d'un outil électrique peut entraîner des blessures graves.

- **Porter l'équipement de protection individuel requis. Toujours porter une protection oculaire.** Selon les conditions, porter aussi un masque anti-poussières, des bottes de sécurité antidérapantes, un casque protecteur ou une protection auditive afin de réduire les blessures.
- **Empêcher les démarrages accidentels. S'assurer que la gâchette est en position d'arrêt avant de brancher l'outil à une source de courant, d'insérer la batterie, de le ramasser ou de le transporter.** Le fait de transporter un outil électrique en gardant le doigt sur la gâchette ou de mettre sous tension un outil électrique lorsque la gâchette est en position de marche favorise les accidents.
- **Retirer les clés de réglage avant de mettre l'outil en marche.** Une clé laissée sur une pièce rotative de l'outil peut causer des blessures.
- **Ne pas travailler hors de portée. Toujours se tenir bien campé et en équilibre.** Une bonne stabilité procure un meilleur contrôle de l'outil électrique en cas d'imprévu.
- **Porter une tenue appropriée. Ne porter ni vêtements amples, ni bijoux. Garder les cheveux et les vêtements à l'écart des pièces en mouvement.** Les vêtements flottants, les bijoux ou les cheveux longs risquent d'être happés par les pièces en mouvement.
- **Si les outils sont équipés de dispositifs de dépoussiérage, s'assurer qu'ils sont connectés et correctement utilisés.** L'utilisation d'un collecteur de poussière permet de réduire les dangers liés à la poussière.
- **Ne pas laisser la familiarité avec l'outil acquise par une utilisation fréquente vous rendre suffisant et vous amener à ignorer les règles de sécurité.** Une utilisation négligée peut causer une blessure grave en une fraction de seconde.

## UTILISATION ET ENTRETIEN DE L'OUTIL ÉLECTRIQUE

- **Ne pas forcer l'outil électrique. Utiliser l'outil électrique approprié pour l'application.** Un outil électrique approprié exécutera le travail mieux et de façon moins dangereuse s'il est utilisé dans les limites prévues.
- **Ne pas utiliser l'outil électrique si le commutateur ne permet pas de le mettre en marche ou de l'arrêter.** Tout outil électrique qui ne peut pas être contrôlé par son commutateur est dangereux et doit être réparé.
- **Débrancher l'outil et/ou retirer le bloc-piles, si possible, avant d'effectuer des réglages, de changer d'accessoire ou de remiser l'outil.** Ces mesures de sécurité préventives réduisent les risques de démarrage accidentel de l'outil.
- **Entreposer l'outil électrique hors de la portée des enfants et interdire à quiconque de l'utiliser si la personne ne connaît pas bien le produit ou les instructions.** Les outils électriques sont dangereux dans les mains d'utilisateurs novices.
- **Entretien les outils électriques et les accessoires. Vérifier qu'aucune pièce mobile n'est mal alignée ou bloquée, qu'aucune pièce n'est brisée et s'assurer qu'aucun autre problème risque d'affecter le bon fonctionnement de l'outil.** En cas de dommages, faire réparer l'outil avant de l'utiliser. Plusieurs accidents sont causés par des produits mal entretenus.

- **Garder les outils bien affûtés et propres.** Des outils correctement entretenus et dont les tranchants sont bien affûtés risquent moins de se bloquer et sont plus faciles à contrôler.
- **Utiliser l'outil électrique, les accessoires, les embouts etc. conformément à ces instructions en tenant compte des conditions de travail et de la tâche à effectuer.** L'usage d'un outil électrique pour des applications pour lesquelles il n'est pas conçu peut être dangereux.
- **Garder les poignées et les surfaces de préhension sèches, propres et exemptes d'huile ou de graisse.** Des poignées et des surfaces de préhension glissantes ne permettent pas de manipuler et de contrôler l'outil en toute sécurité en cas de situation imprévue.

## UTILISATION ET ENTRETIEN DE LA BATTERIE

- **Pour recharger le bloc-piles, utiliser seulement le chargeur spécifié par le fabricant.** Un chargeur pouvant convenir à un type de bloc-piles peut entraîner un risque d'incendie lorsqu'il est utilisé avec un autre type de bloc-piles.
- **N'utiliser l'outil électrique qu'avec une batterie recommandée.** L'utilisation de tout autre bloc-piles peut créer un risque de blessures et d'incendie.
- **Lorsque le bloc-piles n'est pas utilisé, le tenir éloigné des objets en métal tels que les trombones, les pièces de monnaie, les clés, les clous, les vis ou d'autres petits objets métalliques qui pourraient connecter les bornes.** Le court-circuitage des bornes d'une pile peut entraîner des brûlures ou un incendie.
- **Éviter tout contact avec le liquide pouvant être éjecté de la pile en cas de manutention abusive.** En cas de contact accidentel, rincer immédiatement les parties atteintes avec de l'eau. Si le liquide entre en contact avec les yeux, consulter un médecin. Le liquide éjecté des piles peut causer des irritations ou des brûlures.
- **N'utiliser aucun bloc-piles ni aucun outil ayant été endommagé ou modifié.** Des piles endommagées ou modifiées peuvent adopter un comportement imprévisible pouvant causer un incendie, une explosion ou le risque de blessures.
- **Ne pas exposer le bloc-piles ou l'outil aux flammes ou à une température excessive.** Une exposition aux flammes ou à une température supérieure à 130°C (265°F) peut causer une explosion.
- **Suivre toutes les instructions de charge et ne pas charger le bloc-piles ou l'outil en dehors de la plage de température spécifiée.** Une charge incorrecte ou à des températures en dehors de la plage spécifiée peut endommager la pile et augmenter le risque d'incendie.

## ENTRETIEN

- **Les réparations de l'outil électrique doivent être confiées à un technicien qualifié, utilisant exclusivement des pièces identiques à celles d'origine.** Le maintien de la sûreté de l'outil électrique sera ainsi assuré.
- **Ne jamais effectuer la réparation d'un bloc-piles endommagé.** La réparation du bloc-piles doit être réalisée par le fabricant ou les fournisseurs de service agréés uniquement.

## RÈGLES DE SÉCURITÉ SPÉCIFIQUES POUR LES CLES A CHOC

- Lorsque l'outil électrique est utilisé pour un travail risquant de mettre le dispositif de fixation en contact avec des fils électriques cachés, tenir l'outil par les surfaces de prise isolées. Le contact d'un dispositif de fixation avec un fil sous tension « électrifié » les pièces métalliques exposées de l'outil et peut électrocuter l'utilisateur.
- Porter des protecteurs d'oreilles lors du perçage à percussion. L'exposition au bruit peut entraîner une perte auditive.
- Utiliser uniquement les douilles et d'autres accessoires qui ont été spécifiquement conçus pour son utilisation avec des clés à chocs et d'entraîneurs. D'autres douilles et accessoires pourront bien se casser ou se fracasser, ce qui causera de blessures.
- Un couple excessif pourra endommager l'outil. Ne pas plier la tête de l'outil pour gagner d'effet de levier. La force excessive sur l'outil dans n'importe quelle manière causera des dommages permanents.
- Les accessoires endommagés pourront causer de blessures. Vérifier les accessoires pour vous assurer qu'un bon ajustement sur les éléments de fixation est achevé, ceci afin d'éviter tout type de glissement. Veuillez s'assurer que les accessoires utilisés aient une qualification appropriée par rapport au couple appliqué.
- Risque de brûlure chimique. Gardez la batterie des cellules de hors de la portée des enfants.
- Si elle est utilisée avec un cordon, ne pas surpasser la capacité maximale indiquée sur l'étiquette du cordon. Toujours vérifier le poids du produit, avec tous ses accessoires, lors de la sélection du système de cordon correct. Surpasser la capacité maximale pourra entraîner de blessures graves. Veuillez consulter les spécifications afin d'en savoir plus sur le poids de l'outil et le bloc-piles.
- Pour de meilleurs résultats, utiliser avec les langes d'amortissement d'énergie uniquement. Les cordons, les sangles et les chaînes pourront se casser et provoquer des échecs. Ne pas l'utiliser avec de langes totalement tendues.

**AVERTISSEMENT** Afin de minimiser le risque de blessures, lorsque de travaux sont faits dans de situations poussiéreuses, porter une protection respiratoire ou bien, utiliser une solution d'extraction de poussière conforme aux normes OSHA.

• Toujours faire preuve de bons sens et procéder avec prudence lors de l'utilisation d'outils. C'est impossible de prévoir toutes les situations dont le résultat est dangereux. Ne pas utiliser cet outil si vous ne comprenez pas ces instructions d'opération ou si vous pensez que le travail dépasse votre capacité ; veuillez contacter Milwaukee Tool ou un professionnel formé pour recevoir plus d'information ou formation.

• Maintenir en l'état les étiquettes et les plaques d'identification. Des informations importantes y figurent. Si elles sont illisibles et/ou manquantes, contacter un centre de services et d'entretien MILWAUKEE pour un remplacement gratuit.

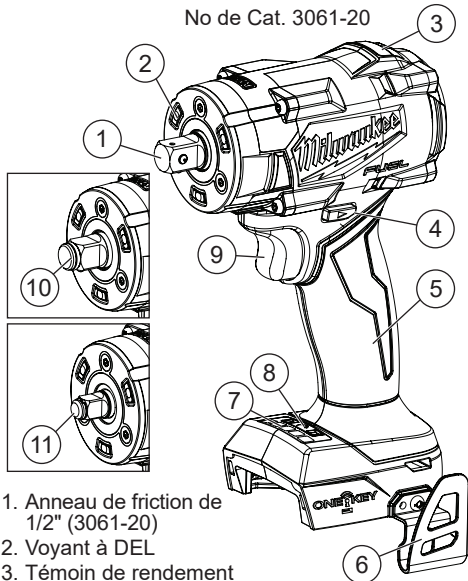
**AVERTISSEMENT** Certaines poussières générées par les activités de ponçage, de coupe, de rectification, de perçage et d'autres activités de construction contiennent des

substances considérées être la cause de malformations congénitales et de troubles de l'appareil reproducteur. Parmi ces substances figurent:

- le plomb contenu dans les peintures à base de plomb;
- la silice cristalline des briques, du ciment et d'autres matériaux de maçonnerie, ainsi que
- l'arsenic et le chrome des sciages traités chimiquement. Les risques encourus par l'opérateur envers ces expositions varient en fonction de la fréquence de ce type de travail. Pour réduire l'exposition à ces substances chimiques, l'opérateur doit: travailler dans une zone bien ventilée et porter l'équipement de sécurité approprié, tel qu'un masque anti-poussière spécialement conçu pour filtrer les particules microscopiques.

## DESCRIPTION FONCTIONNELLE

No de Cat. 3061-20



1. Anneau de friction de 1/2" (3061-20)
2. Voyant à DEL
3. Témoïn de rendement à DEL
4. Commutateur
5. Poignée
6. Clip de ceinture
7. Indicateur de contrôle de vitesse
8. Bouton de commande d'entraînement
9. Trigger
10. Enclume à goupille d'arrêt de 1/2" (3061P-20)
11. Enclume à anneau de friction de 3/8" (3060-20)

## PICTOGRAPHIE



Volts



Courant direct

$n_r$  XXXX min<sup>-1</sup> Tours-minute à vide (RPM)

$n$  XXXX min<sup>-1</sup> Impacts par minute à charge (IPM)



UL Listing Mark pour Canada et États-unis

## SPÉCIFICATIONS

Volts.....	18 CD
Type de batterie.....	M18™
Type de chargeur.....	M18™
Module/FCC ID.....	5123A-11/QOQ11
Poids.....	1,3 kg (2,8 lbs)
Poids.....	2,9 kg (6,3 lbs)

(avec le bloc-piles le plus lourd compatible)  
Température ambiante de fonctionnement recommandée .....-18°C à 50°C (0°F à 125°F)

<b>No de Cat.....</b>	<b>3060-20</b>
Type d'enclume.....	Anneau de friction de 3/8"
Tr/min.....	0-2 325
Coups/min.....	0-3 500
<b>No de Cat.....</b>	<b>3061-20</b>
Type d'enclume.....	Anneau de friction de 1/2"
Tr/min.....	0-2 325
Coups/min.....	0-3 500
<b>No de Cat.....</b>	<b>3061P-20</b>
Type d'enclume.....	Goupille d'arrêt de 1/2"
Tr/min.....	0-2 325
Coups/min.....	0-3 500

## MONTAGE DE L'OUTIL

**⚠ AVERTISSEMENT** Ne recharger la batterie qu'avec le chargeur spécifié. Pour les instructions de charge spécifiques, lire le manuel d'utilisation fourni avec le chargeur et les batteries.

### Insertion/Retrait de la batterie

Pour retirer la batterie, enfoncer les boutons de déverrouillage et la tirer hors de l'outil.

**⚠ AVERTISSEMENT** Toujours retirer la batterie les fois que l'outil est inutilisé.

Pour insérer la batterie, la glisser dans le corps de l'outil. S'assurer qu'elle est fixée solidement.

**⚠ AVERTISSEMENT** Utiliser uniquement les douilles et d'autres accessoires qui ont été spécifiquement conçus à être utilisés avec des clés à chocs et d'entraîneurs. D'autres douilles et accessoires pourront bien se casser ou se fracasser, ce qui causera de blessures.

### Attachement et enlèvement d'accessoires

#### Clés à chocs à entraîneur carré

(No de Cat. 3060-20, 3061-20)

- AVERTISSEMENT!** Retirez la batterie pour éviter de démarrer l'outil.
- Utiliser uniquement les douilles d'entraînement en équerre qui comportent les dimensions correctes.
- Pour **attacher** une douille, aligner l'accessoire sur l'enclume et le pousser fermement sur l'anneau de retenue.
- Pour **enlever** l'accessoire, tirer sur l'accessoire pour le faire sortir de l'enclume.

#### Clé à chocs à entraîneur carré avec goupille d'arrêt

(No de Cat. 3061P-20)

- AVERTISSEMENT!** Retirez la batterie pour éviter de démarrer l'outil.
- Utiliser uniquement les douilles d'entraînement en équerre qui comportent les dimensions correctes.

- Pour **attacher** une douille, aligner le trou de l'accessoire sur la goupille d'arrêt qui se trouve sur l'enclume. Tenir la goupille d'arrêt à l'intérieur pendant que vous poussez la douille sur l'enclume. La goupille d'arrêt enclenchera en place, dans le tour, pour fixer la douille.
- Pour **enlever** la douille, insérer une vis ou un autre objet fin dans le trou qui se trouve sur l'accessoire et appuyer sur la goupille d'arrêt pour l'engager. Sortir l'accessoire de l'enclume.

## ONE-KEY™

Pour en apprendre plus long sur la fonctionnalité ONE-KEY™ de cet outil, visitez le milwaukeeool.com/One-Key. Pour télécharger l'application ONE-KEY™, visitez l'App Store® d'Apple ou Google Play™ à l'aide de votre appareil intelligent.

### Indicateur ONE-KEY™

Bleu uni	Le mode sans fil est engagé et prêt pour le configurer à l'aide de l'appli ONE-KEY™.
Bleu clignotant	L'outil établit une communication active avec l'appli ONE-KEY™.
Rouge clignotant	L'outil a un blocage sécuritaire et ne pourra être débloqué que par le propriétaire à l'aide de l'appli ONE-KEY™.

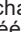
## MANIEMENT

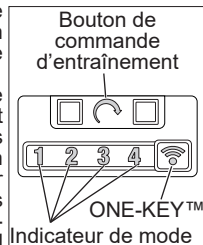
**⚠ AVERTISSEMENT** Afin de minimiser le risque de blessures, toujours porter la protection oculaire appropriée certifiée conforme à la norme ANSI Z87.1.

Lorsque de travaux sont faits dans de situations poussiéreuses, porter une protection respiratoire ou bien, utiliser une solution d'extraction de poussière conforme aux normes OSHA.

### Utilisation de la commande d'entraînement

La touche de commande d'entraînement sert à ajuster le couple, la vitesse de rotation (Tr/Min) et la vitesse d'impact (Coups/Min) pour l'application. Pour choisir le mode de commande d'entraînement :

- Tirer et relâcher la gâchette pour mettre l'outil en marche. Le témoin du mode actuel sera allumé.
- Appuyer sur la touche de commande d'entraînement pour faire défiler les modes. Sélectionner l'option sans fil  pour changer les paramètres préétablis à travers de l'appli ONE-KEY™ dans votre appareil intelligent. Commencer le travail; une fois que l'indicateur du mode désiré est allumé.



**REMARQUE :** Sélectionner la plage de couple d'après les instructions de fixation des fabricants des pièces d'équipement. Pour des applications de précision, vérifier le torque de serrage final à l'aide d'un appareil déjà étalonné.

### Utilisation du commutateur de commande

Il est possible de régler le commutateur dans trois positions : marche avant, marche arrière et verrouil-

lage. En raison d'un mécanisme de verrouillage, le commutateur ne peut être réglé que lorsque la commande MARCHE/ARRÊT n'est pas enfoncée. Toujours laisser le moteur parvenir à s'arrêter complètement avant d'utiliser le commutateur de commande, ceci pour éviter que l'outil subisse des dommages.

Pour avoir une rotation **en avant** (à droite), pousser le commutateur de commande ► au côté droit de l'outil. **Vérifier le sens de rotation avant de procéder à utiliser le produit.**

Pour avoir une rotation **à l'inverse** (à gauche), pousser le commutateur de commande ◀ au côté gauche de l'outil. **Vérifier le sens de rotation avant de procéder à utiliser le produit.**

Pour **verrouiller** la gâchette, pousser le commutateur de commande au centre. La gâchette ne fonctionnera pas lorsque le commutateur de commande est en position centrale de verrouillage. Toujours verrouiller la gâchette ou retirer le bloc-piles à chaque fois que l'outil n'est pas utilisé.


### Verrou de direction

Utiliser la fonction du verrou de direction dans l'application ONE-KEY™ pour limiter la direction de l'outil soit en AVANT, soit en ARRIÈRE.

	Commutateur de commande en avant ►	Commutateur de commande en arrière ◀
Verrou de direction ONE-KEY™ défini en AVANT	L'outil ne marchera qu'en avant	L'outil ne marchera pas, le voyant de rendement à DEL s'allumera
ONE-KEY™ Direction Lock set to REVERSE	L'outil ne marchera pas, le voyant de rendement à DEL s'allumera	L'outil ne marchera qu'en arrière
Verrou de direction ONE-KEY™ défini en ÉTEINT	L'outil marchera en avant	L'outil marchera en arrière

### Sélection de la vitesse

Mode	Tr/min	Coups/min
1	0 - 1 125	0 - 1 650
2	0 - 1 525	0 - 2 475
3	0 - 1 850	0 - 3 000
4	0 - 2 325	0 - 3 500

Attendre jusqu'à ce que l'outil parvienne à s'arrêter complètement avant de changer la vitesse. Appuyer sur le bouton de sélection  pour naviguer entre les options de paramètres.

### Modes activés par ONE-KEY™

**⚠ AVERTISSEMENT** Scanner le code QR ci-dessous et veiller à lire toutes les instructions, toutes les illustrations et toutes les spécifications de chacun des modes activés que comporte cet outil. Utiliser le mode d'outil et les paramètres de mode corrects sur l'application ONE-KEY™ d'après l'application prévue. Les dommages à la propriété, les crues, les dégâts et d'autres dommages ou échecs peuvent survenir si les instructions concernant le mode ne sont pas suivies à la lettre.

Veiller à lire tous les avertissements de sécurité, toutes les instructions, toutes les illustrations et toutes les spécifications fournies avec les pièces, les accessoires, l'outillage, les appareils, etc. Utiliser uniquement avec les articles approuvés comme indiqué sur l'application ONE-KEY™.

Toujours constater le couple de serrage final avec un outil de couple étalonné lorsqu'une fixation à précision est nécessaire.

Scanner ce code QR pour accéder aux instructions d'utilisation et les plus récentes informations d'utilisation du produit.



Les témoins de rendement clignoteront pour indiquer qu'il est possible que l'outil se trouve dehors une tolérance de rendement acceptable. Veuillez vous reporter à la section de dépannage sur l'application ONE-KEY™. L'outil fonctionnera toujours, mais il est possible qu'il ne produise pas la puissance désirée.

### Marche, arrêt et contrôle de la vitesse

- Pour **démarrer** l'outil, tenir la ou les poignées fermement et appuyer sur la gâchette. **REMARQUE** : Un voyant à DEL s'allumera lorsque la gâchette est appuyée et s'éteindra quelque temps après qu'elle aura été relâchée.
- Pour **changer** la vitesse, augmenter ou réduire la pression exercée sur la gâchette. Plus la gâchette est appuyée, plus la vitesse augmentera.
- Pour **arrêter** l'outil, relâcher la gâchette. S'assurer que l'outil parvient à s'arrêter complètement avant de le déposer.

### Techniques de serrage

Le degré de serrage du boulon, de la vis ou de l'écrou est proportionnel à la durée de la percussion. Pour éviter d'endommager les fixations ou le matériau, limitez la durée de la percussion. Soyez particulièrement prudent lorsque vous serrez des fixations de petit calibre qui requièrent moins de percussion. Pratiquez le serrage à percussion avec divers types de fixations afin d'apprendre quelle est la durée de percussion nécessaire pour obtenir le couple désiré. Vérifiez le serrage à l'aide d'une clé dynamométrique. Si la fixation est trop serrée, réduisez la durée de percussion. Si la fixation n'est pas serrée à fond, augmentez la durée de percussion.

L'huile, la poussière ou d'autres saletés sur le filetage ou sous la tête de la fixation peuvent affecter le degré de serrage.

Le couple nécessaire pour desserrer une fixation est, en moyenne, 75 % à 80 % du couple nécessaire pour la serrer, selon l'état des surfaces en contact. Pour les simples tâches de joint d'étanchéité, percez chaque fixation pour un serrage relativement léger et terminez le serrage à la main à l'aide de la clé dynamométrique.

## ENTRETIEN

**⚠ AVERTISSEMENT** Pour minimiser les risques de blessures corporelles, débranchez le chargeur et retirez la batterie du chargeur ou de l'outil avant d'y effectuer des travaux d'entretien. Ne jamais démonter le bloc-piles, le chargeur ou la batterie, sauf si ces instructions indiquent faire une telle chose. Pour toute autre réparation, contacter un centre de service de MILWAUKEE.

### Entretien de l'outil

Gardez l'outil en bon état en adoptant un programme d'entretien ponctuel. Inspectez votre outil pour des questions telles que le bruit excessif, de grippage des pièces mobiles, de pièces cassées ou toute autre condition qui peut affecter le fonctionnement de l'outil. Retournez votre outil à un centre de service MILWAUKEE accrédité pour obtenir le service. Après une période pouvant aller de 6 mois à un an, selon l'usage, retournez votre outil à un centre de service MILWAUKEE accrédité pour d'inspection. Si l'outil ne démarre pas ou ne fonctionne pas à pleine puissance alors qu'il est branché sur une batterie complètement chargée, nettoyez les points de contact entre la batterie et l'outil. Si l'outil ne fonctionne toujours pas correctement, renvoyez l'outil, le chargeur et la batterie à un centre de service MILWAUKEE accrédité.

### ONE-KEY™

**⚠ AVERTISSEMENT** Risque de brûlure chimique. Ce dispositif contient une pile bouton au lithium. Une pile neuve ou usée peut causer des brûlures internes graves entraînant la mort en seulement 2 heures si avalée ou entrée dans le corps. Toujours fixer le couvercle du compartiment des piles. Si le couvercle ne se ferme pas bien, arrêter d'utiliser le dispositif, retirer les piles et les garder hors de la portée des enfants. Si vous soupçonnez que les piles ont été avalées ou entrées dans le corps, consultez immédiatement un médecin.



### Pile bouton interne

Une pile bouton interne est utilisée pour faciliter la fonctionnalité ONE-KEY™ complète. Pour remplacer la pile bouton :

1. **AVERTISSEMENT!** Retirez la batterie de l'outil pour éviter de démarrer l'outil. La porte du compartiment des piles bouton se trouve au-dessous du bloc-piles.
2. Desserrer la ou les vis et ouvrir la porte du compartiment de la pile type bouton.
3. Retirer la vieille pile bouton, la tenir hors de la portée des enfants et se débarrasser d'elle comme il faut.
4. Mettre la nouvelle pile bouton (3V CR2032), en mettant le pôle positif vers le haut.
5. Fermer la porte du compartiment de la pile et serrer la vis fermement.

**⚠ AVERTISSEMENT** Pour minimiser les risques de blessures ou de dommages à l'outil, n'immergez jamais l'outil, la batterie ou le chargeur et ne laissez pas de liquide s'y infiltrer.

### Nettoyage

Débarrassez les tous événements des débris et de la poussière. Gardez les outil propres, à sec et exempts d'huile ou de graisse. Le nettoyage doit se faire avec un linge humide et un savon doux. Certains nettoyeurs tels l'essence, la térébenthine, les diluants à laque ou à peinture, les solvants chlorés, l'ammoniaque et les détergents d'usage domestique qui en contiennent pourraient détériorer le plastique et l'isolation des pièces. Ne laissez jamais de solvants inflammables ou combustibles auprès des outils.

### Réparations

Pour les réparations, retournez outil, batterie et chargeur en entier au centre-service autorisé le plus près.

## ACCESSOIRES

**⚠ AVERTISSEMENT** L'utilisation d'autres accessoires que ceux qui sont spécifiquement recommandés pour cet outil peut comporter des risques.

Pour une liste complète des accessoires, visiter le site internet [www.milwaukeetool.com](http://www.milwaukeetool.com) ou contactez un distributeur.

## COMMUNICATION SANS FIL

Pour les produits comportant des fonctions de communication sans fil, ONE-KEY™ y compris : Conformément à la part 15.21 du Règlement de la FCC, ne pas modifier ce produit-ci. Une telle modification pourra annuler votre autorisation à utiliser le produit. Cet appareil est conforme à la part 15 du Règlement de la FCC et les normes RSS d'exemption de licence de l'ISED-Canada. Son fonctionnement est soumis aux conditions suivantes : 1) Cet appareil ne doit produire aucun brouillage préjudiciable ; et 2) cet appareil doit fonctionner en dépit de tout brouillage capté, y compris le brouillage pouvant mener à un fonctionnement non désiré.

## SERVICE - CANADA

**Milwaukee Tool (Canada) Ltd**  
**1.877.948.2360**

Monday-Friday, 7:00 AM - 4:30 PM CST  
[www.milwaukeetool.ca](http://www.milwaukeetool.ca)

## GARANTIE LIMITÉE - AUX ÉTATS-UNIS ET AU CANADA

Cet outil électrique MILWAUKEE\* est garanti à l'acheteur d'origine uniquement par un distributeur agréé de MILWAUKEE d'être exempt de vice du matériau et de fabrication. Sous réserve de certaines exceptions, MILWAUKEE réparera ou remplacera toute pièce de cet outil électrique qui, après examen par MILWAUKEE, est affectée d'un vice de matériau ou de fabrication pendant une période de cinq (5) ans après la date d'achat, sauf indication contraire. Il faudra retourner l'outil électrique à un centre de service en usine MILWAUKEE ou à un poste d'entretien agréé MILWAUKEE, en port prépayé et assuré. Une copie de la preuve d'achat doit être présentée lors du retour du produit. Cette garantie ne couvre pas les dommages que MILWAUKEE détermine d'être causés par des réparations ou des tentatives de réparation par quiconque d'autre que le personnel agréé par MILWAUKEE, des utilisations incorrectes, des allérations, des utilisations abusives, une usure normale, une carence d'entretien ou les accidents.

Usure normale : Par rapport à plusieurs outils électriques, il faut remplacer et entretenir leurs pièces afin de jouir de leur rendement optimal. Cette garantie ne couvre pas les cas de réparation lorsque la vie utile normale de la pièce s'est terminée, incluant, sans s'y limiter, les mandrins, les balais, les câbles, les patins de scie, les brides de lame, les joints toriques, les embouts, les butoirs, les lames d'entraînement, les pistons, les perceurs, les poussoirs et les rondelles de protection de bûche.

\* Cette garantie ne couvre ni les blocs-piles ni tous les outils électriques. Veuillez vous reporter aux autres garanties différentes disponibles pour ces produits.

La période durant laquelle la garantie est valable pour la lumière à DEL de la lampe de travail à DEL (49-24-0171) et l'ampoule transformée à DEL (49-81-0090) est d'une durée égale à la vie utile du produit en raison des limites au-dessus. Si la lumière à DEL ou l'ampoule transformée à DEL tombent en panne durant l'utilisation normale, la pièce sera remplacée gratuitement.

L'inscription de la garantie n'est pas nécessaire pour bénéficier de la garantie en vigueur d'un outil électrique MILWAUKEE. La date de fabrication du produit servira à établir la période de garantie si aucune preuve d'achat n'est fournie lorsqu'une demande de service sous garantie est faite.

L'ACCEPTION DES RECOURS EXCLUSIFS DE RÉPARATION ET DE REMPLACEMENT DÉCRITS PAR LA PRÉSENTE EST UNE CONDITION DU CONTRAT D'ACHAT DE TOUT PRODUIT MILWAUKEE. SI VOUS N'ACCEPTÉZ PAS CETTE CONDITION, VOUS NE DEVEZ PAS ACHETER LE PRODUIT. EN AUCUN CAS MILWAUKEE NE SAURAIT ÊTRE RESPONSABLE DE TOUT DOMMAGE ACCESSOIRE, SPÉCIAL OU INDIRECT, DE DOMMAGES-INTÉRÊTS PUNITIFS OU DE TOUTE DÉPENSE, D'HONORAIRES D'AVOCATS, DE FRAIS, DE PERTE OU DE DÉLAIS ACCESSOIRES À TOUT DOMMAGE, DÉFAILLANCE OU DÉFAUT DE TOUT PRODUIT, Y COMPRIS NOTAMMENT LES PERTES DE PROFIT, CERTAINS ÉTATS ET PROVINCES NE PERMETTANT L'EXCLUSION OU LA LIMITATION DES DOMMAGES DIRECTS OU INDIRECTS, LES RESTRICTIONS CI-DESSUS PEUVENT NE PAS ÊTRE APPLICABLES. CETTE GARANTIE EST EXCLUSIVE ET REMPLACE TOUTE AUTRE GARANTIE EXPRESSE, QU'ELLE SOIT VERBALE OU ÉCRITE, DANS LA MESURE PERMISE PAR LA LOI. MILWAUKEE RENONCE À TOUTE GARANTIE IMPLICITE, Y COMPRIS, SANS S'Y LIMITER, TOUTE GARANTIE IMPLICITE DE COMMERCIALISABILITÉ OU D'ADAPTATION À UNE UTILISATION OU À UNE FIN PARTICULIÈRE. DANS LA MESURE OU UNE TELLE STIPULATION D'EXONÉRATION N'EST PAS PERMISE PAR LA LOI, LA DURÉE DE CES GARANTIES IMPLICITES EST LIMITÉE À LA PÉRIODE APPLICABLE DE LA GARANTIE EXPRESSE, TELLE QUE CELA EST DÉCRIT PRÉCÉDEMMENT. CERTAINES PROVINCES NE PERMETTANT PAS DE LIMITATION DE DURÉE DES GARANTIES IMPLICITES, LES RESTRICTIONS CI-DESSUS PEUVENT NE PAS ÊTRE APPLICABLES. LA PRÉSENTE CONFÈRE À L'UTILISATEUR DES DROITS LÉGAUX PARTICULIERS : IL BÉNÉFICIE ÉGALEMENT D'AUTRES DROITS QUI VARIENT D'UNE PROVINCE À L'AUTRE. Cette garantie s'applique uniquement aux produits vendus aux États-Unis et au Canada.

Veuillez consulter l'onglet « Trouver un centre Service », dans la section « Pièces et service » du site web de MILWAUKEE, à l'adresse [www.milwaukeeetool.com](http://www.milwaukeeetool.com), ou composer le 1.800.SAWDUST (1.800.729.3878) afin de trouver le centre de service le plus proche dans votre région pour l'entretien, sous garantie ou non, de votre outil électrique MILWAUKEE.

## ADVERTENCIAS DE SEGURIDAD GENERALES PARA LA HERRAMIENTA ELÉCTRICA

**⚠️ ADVERTENCIA** Lea todas las advertencias de seguridad, instrucciones, ilustraciones y especificaciones con esta herramienta eléctrica. Si no sigue todas las advertencias e instrucciones, se pueden provocar una descarga eléctrica, un incendio o lesiones graves. **Guarde todas las advertencias e instrucciones para consultarlas en el futuro.** El término "herramienta eléctrica" en todas las advertencias incluidas más abajo se refiere a su herramienta operada por conexión (cable) a la red eléctrica o por medio de una batería (inalámbrica).

## SEGURIDAD EN EL ÁREA DE TRABAJO

- **Mantenga el área de trabajo limpia y bien iluminada.** Las áreas desordenadas u oscuras son propicias para los accidentes.
- **No utilice herramientas eléctricas en atmósferas explosivas, tales como en presencia de líquidos, gases o polvos inflamables.** Las herramientas eléctricas generan chispas que pueden encender el polvo o los vapores.
- **Mantenga a los niños y a los espectadores alejados mientras utiliza una herramienta eléctrica.** Las distracciones pueden ocasionar la pérdida de control.

## SEGURIDAD ELÉCTRICA

- **Los enchufes de la herramienta eléctrica deben coincidir con el tomacorriente. Nunca modifique el enchufe de ninguna manera. No utilice adaptadores de enchufe con herramientas eléctricas aterrizadas.** Los enchufes y tomacorrientes correspondientes sin modificar reducirán el riesgo de descarga eléctrica.
- **Evite el contacto corporal con superficies aterrizadas, tales como tuberías, radiadores, estufas y refrigeradores.** Existe un riesgo mayor de descarga eléctrica si su cuerpo está aterrizado.
- **No exponga las herramientas eléctricas a la lluvia ni a condiciones húmedas.** Si se introduce agua en una herramienta eléctrica, aumentará el riesgo de descarga eléctrica.
- **No maltrate el cable. Nunca utilice el cable para cargar, jalar o desconectar la herramienta eléctrica. Mantenga el cable alejado del calor, el aceite, los bordes afilados o las partes en movimiento.** Los cables dañados o enredados aumentan el riesgo de descarga eléctrica.
- **Al utilizar una herramienta eléctrica en exteriores, utilice una extensión adecuada para uso en exteriores.** El uso de una extensión adecuada para el uso en exteriores disminuye el riesgo de descarga eléctrica.
- **Si es inevitable utilizar una herramienta eléctrica en un lugar húmedo, utilice un alimentador de corriente protegido con un interruptor de circuito por falla de conexión a tierra (GFCI).** El uso de un GFCI reduce el riesgo de descarga eléctrica.

## SEGURIDAD PERSONAL

- **Manténgase alerta, atento a lo que está haciendo y utilice el sentido común al utilizar una herramienta eléctrica.** No utilice una herramienta eléctrica mientras está cansado o bajo la influencia de drogas, alcohol o medicamentos. Un momento de distracción al utilizar herramientas eléctricas puede ocasionar lesiones personales graves.
- **Utilice equipo de protección personal. Siempre use protección para los ojos.** El equipo de protección, tal como una máscara contra polvo, calzado antideslizante, casco o protección auditiva, utilizado para condiciones adecuadas disminuirá las lesiones personales.
- **Evite el arranque accidental. Asegúrese de que el interruptor esté en la posición de apagado antes de conectarlo a una fuente de poder y/o batería, levantar o trasladar la herramienta.** Trasladar herramientas con el dedo en el interruptor o energizar herramientas eléctricas que tienen el interruptor encendido propicia accidentes.
- **Retire cualquier llave de ajuste antes de entender la herramienta.** Una llave que se deje insertada en una parte giratoria de la herramienta eléctrica puede ocasionar lesiones personales.
- **No estire el cuerpo demasiado. Mantenga un buen contacto entre los pies y el suelo y mantenga el equilibrio en todo momento.** Esto permite un mejor control de la herramienta eléctrica en situaciones inesperadas.
- **Vístase adecuadamente. No utilice ropa o joyería holgada. Mantenga el cabello y la ropa alejados de las partes móviles.** La ropa holgada, las alhajas o el cabello largo pueden quedarse atrapados en las partes móviles.
- **Si se proporcionan dispositivos para la conexión de instalaciones de extracción y recolección de polvo, cerciórese de que estén conectados y se utilicen correctamente.** El uso de dispositivos recolectores de polvo puede disminuir los riesgos relacionados con el polvo.
- **No permita que la familiaridad por el uso frecuente de las herramientas lo hagan sentirse seguro e ignorar los principios de seguridad de las herramientas.** Un descuido puede provocar lesiones graves en una fracción de segundo.

## USO Y CUIDADO DE LAS HERRAMIENTAS ELÉCTRICAS

- **No fuerce la herramienta eléctrica. Utilice la herramienta eléctrica correcta para su aplicación.** La herramienta eléctrica correcta realizará el trabajo mejor y con mayor seguridad a la velocidad para la que fue diseñada.
- **No utilice la herramienta eléctrica si el interruptor no la enciende y la apaga.** Cualquier herramienta eléctrica que no pueda controlarse con el interruptor es peligrosa y debe repararse.
- **Desconecte el enchufe de la fuente de energía y/o quite la batería de la herramienta eléctrica, si es posible, antes de realizar cualquier ajuste, cambiar accesorios o almacenar las herramientas eléctricas.** Tales medidas preventivas de seguridad disminuyen el riesgo de que la herramienta eléctrica se encienda accidentalmente.

- **Almacene las herramientas eléctricas que no se estén utilizando fuera del alcance de los niños y no permita que personas que no estén familiarizadas con la herramienta eléctrica o con estas instrucciones la utilicen.** Las herramientas eléctricas son peligrosas en manos de usuarios sin capacitación.
- **Dé mantenimiento a las herramientas eléctricas y accesorios. Verifique que no haya desalinación, amarre de partes móviles, partes rotas o alguna otra condición que pueda afectar el funcionamiento de la herramienta eléctrica.** Si se daña, asegúrese de que la herramienta eléctrica sea reparada antes de que se utilice. Muchos accidentes son ocasionados por herramientas eléctricas con mantenimiento deficiente.
- **Mantenga las herramientas de corte afiladas y limpias.** Las herramientas de corte correctamente mantenidas con bordes de corte afilados son menos propensas a atorarse y son más fáciles de controlar.
- **Utilice la herramienta eléctrica, los accesorios y las puntas, etc. de acuerdo con estas instrucciones, tomando en cuenta las condiciones de trabajo y el trabajo a realizar.** El uso de la herramienta eléctrica para operaciones diferentes a las previstas podría generar una situación peligrosa.
- **Mantenga las empuñaduras y ñas superficies de sujeción secas, limpias y libres de aceite y grasa.** Las empuñaduras y superficies de sujeción resbalosas no permiten el manejo y control seguros de la herramienta en situaciones inesperadas.

## USO Y CUIDADO DE LAS HERRAMIENTAS CON BATERÍA

- **Recargue únicamente con el cargador especificado por el fabricante.** Un cargador que es adecuado para un tipo de batería puede crear un riesgo de incendio si se utiliza con otra batería.
- **Utilice las herramientas eléctricas únicamente con baterías específicamente diseñadas.** El uso de cualquier otra batería puede producir un riesgo de lesiones e incendio.
- **Cuando la batería no esté en uso, manténgala alejada de otros objetos metálicos como sujetapapeles, monedas, llaves, clavos, tornillos u otros objetos metálicos pequeños que puedan formar una conexión de una terminal a otra.** Crear un corto entre las terminales de la batería puede ocasionar quemaduras o un incendio.
- **Bajo condiciones de maltrato, el líquido puede ser expulsado de la batería, evite el contacto.** En caso de contacto accidental, lave con agua. Si el líquido entra en contacto con los ojos, busque además ayuda médica. El líquido expulsado de la batería puede causar irritación o quemaduras.
- **No use una batería o herramienta que se haya dañado o modificado.** Las baterías dañadas o modificadas pueden mostrar un comportamiento impredecible, causando incendios, explosión o riesgo de lesión.
- **No exponga una batería o herramienta al fuego o a temperatura excesiva.** La exposición a fuego o temperatura a más de 130°C (265°F) puede causar explosiones.
- **Siga todas las instrucciones de carga y no cargue la batería o la herramienta fuera del rango de temperatura especificado en las instrucciones.** La carga incorrecta o a temperaturas fuera del rango especificado puede dañar la batería y aumentar el riesgo de incendio.

## MANTENIMIENTO

- Lleve su herramienta eléctrica a servicio con un técnico calificado que use únicamente piezas de reemplazo idénticas. Esto asegurará que la seguridad de la herramienta eléctrica se mantenga.
- Nunca dé servicio a baterías dañadas. Únicamente el fabricante o proveedores de servicio autorizados deben dar servicio a las baterías.

## REGLAS ESPECÍFICAS DE SEGURIDAD PARA LAS LLAVES DE IMPACTO

- **Sostenga la herramienta eléctrica de las superficies de sujeción aisladas al llevar a cabo una operación en la que el tornillo pueda hacer contacto con cableado oculto.** El contacto de los sujetadores con un cable que conduzca electricidad puede hacer que las partes metálicas de la herramienta se electrifiquen y podría ocasionar una descarga eléctrica al operador.
- **Utilice protectores auditivos al usar un taladro de impacto.** La exposición al ruido puede causar pérdida auditiva.
- **Utilice solo llaves y otros accesorios diseñados particularmente para utilizarse en llaves de impacto y destornilladores.** Otros destornilladores y accesorios pueden quebrarse o romperse, provocando lesiones.
- **Un torque excesivo puede provocar daños. No flexione la cabeza de la herramienta para apalancar.** La fuerza excesiva de cualquier tipo sobre la herramienta provocará daños permanentes.
- **Los accesorios dañados pueden provocar lesiones.** Revise los accesorios para asegurarse de que estén bien colocados en los sujetadores para prevenir deslizamientos. Asegúrese de que los accesorios que se usan tengan una clasificación para el torque que se está aplicando.
- **Riesgo de quemadura química.** Mantenga la batería de la celda de monedas lejos de los niños.
- **Si está usando un acollador, no exceda la capacidad máxima indicada en la etiqueta del acollador.** Siempre determine el peso del producto con todos los accesorios al elegir el sistema de acollador correcto. Exceder la capacidad máxima puede resultar en una lesión grave. Consulte las especificaciones del peso de la herramienta y la batería.

- **Para obtener los mejores resultados, utilice únicamente con acolladores que absorban la energía.** Las cuerdas, correas o cadenas pueden romperse y provocar una falla. No utilice con acolladores con toda la tensión.

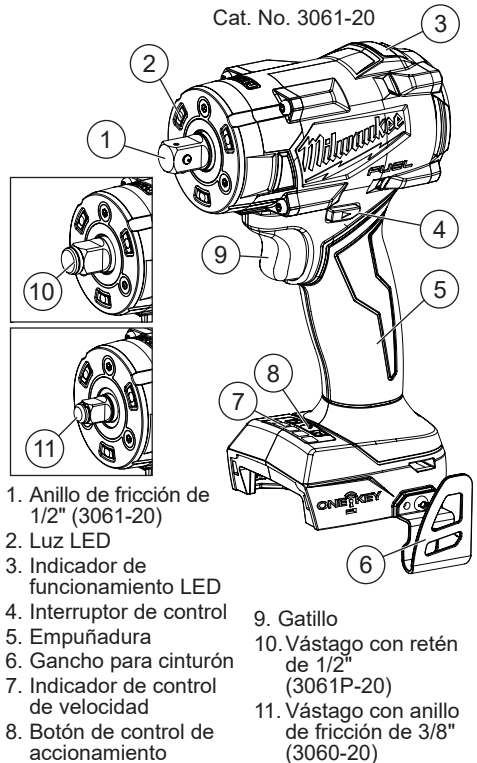
- **ADVERTENCIA** Para reducir el riesgo de lesiones, al momento de realizar trabajos en situaciones donde haya presencia de polvo, utilice la protección respiratoria adecuada o utilice una solución de extracción de polvo que cumpla con los requisitos de la OSHA.

- **Válgase siempre de su sentido común y sea cuidadoso cuando utilice herramientas.** No es posible anticipar todas las situaciones que podrían tener un desenlace peligroso. No utilice esta herramienta si no entiende estas instrucciones de uso o si considera que el trabajo a realizar supera sus capacidades, comuníquese con Milwaukee Tool o con un profesional capacitado para recibir capacitación o información adicional.

- **Conserve las etiquetas y las placas nominales.** Contienen información importante. Si son ilegibles o no están presentes, comuníquese con un centro de servicio MILWAUKEE para obtener un reemplazo gratuito.

- **ADVERTENCIA** Algunos polvos generados por el lijado eléctrico, aserrado, pulido, taladrado y otras actividades de construcción contienen químicos identificados como causantes de cáncer, defectos congénitos u otros daños reproductivos. Algunos ejemplos de estos químicos son:
  - plomo de pintura basada en plomo
  - dióxido de silicio de los ladrillos y el cemento y otros productos de albañilería y
  - arsénico y cromo de madera con tratamiento químico.Su riesgo por estas exposiciones varía, dependiendo de la frecuencia con que realice este tipo de trabajo. Para reducir su exposición a estos químicos: trabaje en un área bien ventilada y trabaje con equipo de seguridad aprobado, como mascarillas protectoras contra polvo especialmente diseñadas para filtrar partículas microscópicas.

## DESCRIPCION FUNCIONAL



## ESPECIFICACIONES

Volts.....	18 CD
Tipo de batería .....	M18™
Tipo de cargador .....	M18™
Módulo/ID FCC.....	5123A-11/QOQ11
Peso .....	1,3 kg (2,8 lbs)
	(solo herramienta)
Peso .....	2,9 kg (6,3 lbs)
	(con la batería compatible más pesada)
Temperatura ambiente recomendada para operar .....	-18°C a 50°C (0°F a 125°F)
<b>Cat. No.</b> .....	<b>3060-20</b>
Tipo de vástago .....	Anillo de fricción de 3/8"
RPM.....	0-2 325
IPM.....	0-3 500
<b>Cat. No.</b> .....	<b>3061-20</b>
Tipo de vástago .....	Anillo de fricción de 1/2"
RPM.....	0-2 325
IPM.....	0-3 500
<b>Cat. No.</b> .....	<b>3061P-20</b>
Tipo de vástago .....	Retén de 1/2"
RPM.....	0-2 325
IPM.....	0-3 500

## SIMBOLOGÍA



Volts



Corriente continua

$n_r$  XXXX min<sup>-1</sup> Revoluciones por minuto sin carga (RPM)

$n_i$  XXXX min<sup>-1</sup> Impactos por minuto bajo carga (IPM)



UL Listing Mark para Canadá y Estados Unidos

## ENSAMBLAJE

**⚠ ADVERTENCIA** Recargue la batería sólo con el cargador especificado para ella. Para instrucciones específicas sobre cómo cargar, lea el manual del operador suministrado con su cargador y la batería.

### Como se inserta/quita la batería en la herramienta

Para **retirar** la batería, presione los botones de liberación y jale de la batería para sacarla de la herramienta.

**⚠ ADVERTENCIA** Siempre retire la batería cada vez que la herramienta no esté en uso.

Para **introducir** la batería, deslícela en el cuerpo de la herramienta. Asegúrese de que quede bien firme en su posición.

**⚠ ADVERTENCIA** Utilice solo llaves y otros accesorios diseñados particularmente para utilizarse en llaves de impacto y destornilladores. Otros destornilladores y accesorios pueden quebrarse o romperse, provocando lesiones.

### Instalar y retirar accesorios

#### Llaves de impacto de punta cuadrada

(Cat. No. 3060-20, 3061-20)

1. **⚠ ADVERTENCIA!** Retire la batería para evitar arrancar la herramienta.
2. Utilice únicamente los dados de accionador cuadrado de tamaño adecuado.
3. Para **colocar** un dado, alinee el accesorio con el vástago y empujelo firmemente sobre el aro de retención.
4. Para **retirar** el accesorio, jale el accesorio hasta que salga del vástago.

#### Llave de impacto de punta cuadrada con retén de pasador

(Cat. No. 3061P-20)

1. **⚠ ADVERTENCIA!** Retire la batería para evitar arrancar la herramienta.
2. Utilice únicamente los dados de accionador cuadrado de tamaño adecuado.
3. Para **colocar** un casquillo, alinee el orificio del accesorio con el pasador de retén del vástago. Sostenga el pasador de retén al tiempo que empuja el casquillo sobre el vástago. El pasador de retén entrará a presión en el orificio para sujetar el casquillo.
4. Para **retirar** el casquillo, inserte un clavo u otro objeto delgado en el orificio del accesorio y presione el pasador de retén hacia adentro. Saque el accesorio del vástago.

### ONE-KEY™

Para obtener más información acerca de la funcionalidad de ONE-KEY™ para esta herramienta, visite [milwaukee.com/One-Key](http://milwaukee.com/One-Key). Para descargar la aplicación ONE-KEY™, visite la App Store® o Google Play™ desde su dispositivo inteligente.

Indicador ONE-KEY™	
Azul fijo	El modo inalámbrico está activo y listo para configurar a través de la aplicación ONE-KEY™.
Azul intermitente	La herramienta tiene una comunicación activa con la aplicación ONE-KEY™.
Rojo intermitente	La herramienta tiene activo el bloqueo de seguridad y sólo podrá desbloquearla el dueño a través de la aplicación ONE-KEY™.

## OPERACION



**⚠ ADVERTENCIA** Con el fin de minimizar el riesgo de lesiones, siempre utilice la protección de ojos adecuada indicada para cumplir con lo dispuesto en la norma ANSI Z87.1.

Al momento de realizar trabajos en situaciones donde haya presencia de polvo, utilice la protección respiratoria adecuada o utilice una solución de extracción de polvo que cumpla con los requisitos de la OSHA.

### Uso del accionador drive control

Este botón accionador del drive control se usa para ajustar el torque, la velocidad de rotación (RMP) y la velocidad de impacto (IPM) para la aplicación.


Para seleccionar el modo de drive control:

1. Jale y libere el gatillo para encender la herramienta. El indicador del modo actual se encenderá.
2. Oprima el botón de control de velocidad  para pasar entre los distintos modos. Seleccione la opción inalámbrica  para cambiar los ajustes predeterminados por medio de la aplicación ONE-KEY™ en su dispositivo inteligente. Cuando está encendido el indicador del modo deseado, comience a trabajar.





**NOTA:** Seleccione el rango de torque de acuerdo con lo indicado en las instrucciones de sujeción de los fabricantes del equipamiento. Para las aplicaciones de precisión, confirme el torque final a apretar con un dispositivo calibrado.

### Uso del interruptor de control

El interruptor de control se puede configurar en tres posiciones: avance, retroceso y bloqueo. Debido a un mecanismo de bloqueo, el interruptor de control solo se puede ajustar cuando el interruptor de ENCENDIDO/APAGADO no está presionado. Siempre permita que el motor se detenga por completo antes de usar el interruptor de control. Para la rotación hacia adelante (en el sentido de las agujas del reloj), presione el interruptor de control  desde el lado derecho de la herramienta. **Verifique la dirección de rotación antes de usar.** Para la rotación inversa (en sentido contrario a las agujas del reloj), presione el interruptor de control  desde el lado izquierdo de la herramienta. **Verifique la dirección de rotación antes de usar.** Para bloquear el gatillo, empuje el interruptor de control a la posición central. El gatillo no funcionará mientras el interruptor de control esté en la posición de bloqueo central. Siempre bloquee el gatillo o extraiga el paquete de baterías antes de realizar tareas de mantenimiento, cambiar accesorios, almacenar la herramienta y en cualquier momento en que la herramienta no esté en uso.


## Seguro de dirección

Use la función de seguro de dirección desde la aplicación ONE-KEY™ para limitar la dirección de la herramienta ya sea en AVANCE o en REVERSA.

	Interruptor de control en avance 	Interruptor de control en reversa 
Seguro de dirección ONE-KEY™ definido en AVANCE	La herramienta sólo funcionará hacia adelante	La herramienta no funcionará, el indicador de funcionamiento LED se encenderá
Seguro de dirección ONE-KEY™ definido en REVERSA	La herramienta no funcionará, el indicador de funcionamiento LED se encenderá	La herramienta sólo funcionará en reversa
Seguro de dirección ONE-KEY™ definido en APAGADO	La herramienta funcionará en avance	La herramienta funcionará en reversa

### Selección de velocidad

Modo	RPM	IPM
1	0 - 1 125	0 - 1 650
2	0 - 1 525	0 - 2 475
3	0 - 1 850	0 - 3 000
4	0 - 2 325	0 - 3 500

Espere a que la herramienta se detenga por completo antes de cambiar las velocidades. Presione el botón selector  para pasar sucesivamente de una configuración a otra.

### Modos activados con ONE-KEY™

**⚠ ADVERTENCIA** Escanee el código QR que se encuentra a continuación y lea todas las instrucciones, ilustraciones y especificaciones de cada uno de los modos activados para esta herramienta. Use el modo de herramienta y las configuraciones de modo correctas en la aplicación ONE-KEY™ de acuerdo con la aplicación prevista. Los daños a la propiedad, los desbordamientos, las rupturas o demás daños o fallas pueden ocurrir si no se siguen las instrucciones del modo al pie de la letra.

Lea todas las advertencias de seguridad, las instrucciones, las ilustraciones y las especificaciones incluidas con las piezas, los accesorios, los aditamentos, los complementos, etc. Úsele únicamente con los artículos aprobados tal como se indican en la aplicación ONE-KEY™.

Siempre confirme el torque de sujeción final con una herramienta de torque calibrada cuando se necesite realizar una sujeción a precisión.

Escanee este código QR para acceder a las instrucciones de operación y la



información de uso de producto más actual.

Los indicadores de funcionamiento LED parpadearán para indicar que es posible que la herramienta esté fuera de una tolerancia de funcionamiento aceptable. Consulte la sección de resolución de problemas en la aplicación ONE-KEY™. La herramienta seguirá funcionando, pero es posible que no genere la potencia deseada.

### Encendido, parada y control de la velocidad

1. Para **encender** la herramienta, sujete la o las empuñaduras con firmeza y jale el gatillo.

**NOTA:** Se encenderá una luz LED cuando se jale el gatillo y se apagará pocos segundos después de que se suelte el gatillo.

2. Para **cambiar** la velocidad, aumente o disminuya la presión que ejerce sobre el gatillo. Mientras más se jale el gatillo, mayor será la velocidad.

3. Para **detener** la herramienta, suelte el gatillo. Asegúrese de que la herramienta se haya detenido por completo antes de bajarla.

### Técnicas para impactar

Mientras más tiempo se impacta a un tornillo, tuerca o birlo, más apretado quedará. Para ayudar a prevenir dañar tanto el material como los sujetadores, evite impactarlos en exceso. Sea particularmente cuidadoso cuando impacte sujetadores que sean de tamaño pequeño ya que estos requerirán menos impactos para alcanzar el torque deseado.

Practique impactando con diferentes tipos de sujetadores para que observe el tiempo que se requiere impactar para alcanzar el torque deseado. Verifique el grado de apriete usando un torquímetro de mano. Si los sujetadores quedaron muy apretados, reduzca el tiempo de impacto. Si no están suficientemente apretados, aumente el tiempo de impacto.

El aceite, la suciedad, el óxido u otro material en los hilos o bajo la cabeza del sujetador afecta el grado de apriete.

El torque requerido para aflojar un sujetador está, en promedio, entre el 75% y el 80% de torque que fue requerido para apretarlo, dependiendo esto de las condiciones de las superficies de contacto.

En los trabajos que lleven juntas ligeras, lleve cada sujetador hasta un torque relativamente bajo y, luego, use una llave de torque manual para el apriete final.

## MANTENIMIENTO

**⚠ ADVERTENCIA** Para reducir el riesgo de una lesión, desconecte siempre la herramienta antes de darle cualquier mantenimiento. Nunca desarme la batería, el cargador o la herramienta, salvo que así lo indiquen estas instrucciones. Comuníquese con un centro de servicio de MILWAUKEE para todas las demás reparaciones.

### Mantenimiento de las herramientas

Adopte un programa regular de mantenimiento y mantenga su herramienta en buenas condiciones. Inspeccione la herramienta para problemas como ruidos indebidos, desalineadas o agarradas de partes móviles, piezas rotas o cualquier otra condición que pueda afectar el funcionamiento de la herramienta. Envíe su herramienta al Centro de Servicio MILWAUKEE para reparación. Después de 6 meses a un año, dependiendo del uso dado, envíe su herramienta al Centro de Servicio MILWAUKEE más cercano para la inspección.

Si la herramienta no arranca u opera a toda su potencia con una batería completamente cargada, limpie, con una goma o borrador, los contactos de la batería y de la herramienta. Si aun así la herramienta no trabaja correctamente, regrésela, con el cargador y la batería, a un centro de servicio MILWAUKEE.

### ONE-KEY™

**⚠ ADVERTENCIA** Riesgo de quemadura química. Este dispositivo contiene una batería de botón/tipo moneda de litio. Una batería nueva o usada puede causar quemaduras internas graves y causar la muerte tan solo en 2 horas si se ingiere o entra al cuerpo. Siempre asegure la cubierta de la batería. Si no se cierra con firmeza, deje de usar el dispositivo, retire las baterías y manténgala alejada de los niños. Si cree que las baterías pudieron ser ingeridas o entraron al cuerpo, busque atención médica de inmediato.



### Batería interna tipo moneda

Se usa una batería interna tipo moneda para facilitar la funcionalidad completa de ONE-KEY™. Para cambiar la batería tipo moneda:

1. **⚠ ADVERTENCIA!** Retire la batería para evitar arrancar la herramienta. La puerta del compartimento de baterías de celda tipo moneda se encuentra debajo de la batería.
2. Afloje el o los tornillos y abra la puerta del compartimento de la batería tipo moneda.
3. Retire la batería tipo moneda anterior, manténgala fuera del alcance de los niños y deshágase de ella de la manera correcta.
4. Inserte la nueva batería tipo moneda (3V CR2032), con el lado positivo hacia arriba.
5. Cierre la tapa de la batería y apriete el tornillo (s) con firmeza.

**ADVERTENCIA** Para reducir el riesgo de lesiones, descarga eléctrica o daño a la herramienta, nunca la sumerja en líquidos ni permita que estos fluyan dentro de la misma.

### Limpieza

Limpie el polvo y suciedad de las cualquier ventilas. Mantenga los herramienta, limpios, secos y libres de aceite o grasa. Use solo jabón neutro y un trapo húmedo para limpiar, ya que algunos substancias y solventes limpiadores son dañinos a los plásticos y partes aislantes. Algunos de estos incluyen: gasolina, turpentina, thinner, lacas, thinner para pinturas, solventes para limpieza con cloro, amoníaco y detergentes caseros que tengan amonía. Nunca usa solventes inflamables o combustibles cerca de una herramienta.

### Reparaciones

Si su herramienta, batería o cargador están dañados, envíela al centro de servicio autorizado más cercano.

### ACCESORIOS

**ADVERTENCIA** Utilice sólo los accesorios específicamente recomendados. Otros accesorios puede ser peligroso.

Para una lista completa de accesorios, visite nuestro sitio en Internet: [www.milwaukeetool.com](http://www.milwaukeetool.com) o póngase en contacto con un distribuidor.

### COMUNICACIÓN INALÁMBRICA

Para productos que cuentan con funciones de comunicación inalámbrica, incluida ONE-KEY™:

De conformidad con la parte 15.21 del Reglamento de FCC, no modifique este producto. La modificación podría ocasionar que se anule su autorización para operar el producto. Este dispositivo cumple con lo dispuesto en la parte 15 del Reglamento de la FCC así como las normas RSS de exención de licencia de ISED-Canada. La operación está sujeta a las siguientes dos condiciones: 1) Este dispositivo no debe ocasionar interferencia nociva y 2) este dispositivo debe aceptar cualquier interferencia que se reciba, incluyendo la interferencia que pueda ocasionar operación no deseada.

### SOPORTE DE SERVICIO - MEXICO

#### CENTRO DE ATENCIÓN A CLIENTES

Techtronix Industries Mexico, S.A. de C.V.

Av. Presidente Masarik 29 Piso 7

11560 Polanco V Seccion

Miguel Hidalgo, Distrito Federal, México

01 (800) 030-7777 o (55) 4160-3540

Lunes a Viernes (9am a 6pm)

O contáctanos en [www.milwaukeetool.com.mx](http://www.milwaukeetool.com.mx)

### GARANTÍA LIMITADA - E.U.A. Y CANADA

Esta herramienta eléctrica de MILWAUKEE® está garantizada, ante el comprador original únicamente, por parte de un distribuidor autorizado MILWAUKEE, de que no tenga material y mano de obra defectuosos. Sujeto a ciertas excepciones, MILWAUKEE reparará o sustituirá cualquier pieza de esta herramienta eléctrica que tenga defectos de material o mano de obra según lo determine MILWAUKEE mediante una revisión, por un periodo de cinco (5) años después de la fecha de compra a menos que se indique lo contrario. Al devolver la herramienta eléctrica a un centro de servicio de fábrica de MILWAUKEE o a una estación de servicio autorizada de MILWAUKEE, es necesario que la devolución se haga con flete pagado por adelantado y asegurado. Se debe incluir una copia del comprobante de compra con el producto devuelto. Esta garantía no aplica a daños que MILWAUKEE determine que son ocasionados por reparaciones o intentos de reparaciones realizados por una persona que no sea personal autorizado de MILWAUKEE, uso indebido, alteraciones, maltrato, desgaste normal, falta de mantenimiento o accidentes.

Desgaste normal: Muchas herramientas eléctricas necesitan cambios de piezas y mantenimiento periódicos para alcanzar su máximo rendimiento. Esta garantía no cubre la reparación cuando el uso normal ha agotado la vida útil de una pieza, incluyendo, entre otros, mandriles, cepillos, cables, zapatas de la sierra, abrazaderas de la hoja, juntas tóricas, sellos, protectores, hojas de accionamiento, pistones, herrajes, levantadores y arandelas de cubierta de los protectores.

\*La presente garantía no cubre ni las baterías ni todas las herramientas eléctricas. Consulte las distintas garantías independientes que están disponibles para estos productos.

La vigencia de la garantía de la luz LED en la lámpara LED de trabajo (49-24-0171) y el foco mejorado de LED (49-81-0090) es la misma que la vida útil del producto sujeto a las limitaciones anteriores. Si la luz LED o el foco mejorado LED presentan fallas durante su uso normal, se cambiará la pieza sin costo.

No es necesario realizar el registro de la garantía para recibir la garantía correspondiente a un producto de herramienta eléctrica de MILWAUKEE. La fecha de fabricación del producto servirá para determinar la vigencia de la garantía en caso de que no presente ningún comprobante de compra al solicitar el servicio en garantía. LA ACEPTACIÓN DE LOS RESARCIMIENTOS EXCLUSIVOS DE REPARACIÓN Y SUSTITUCIÓN AQUÍ DESCRITOS ES UNA CONDICIÓN DEL CONTRATO EN CUANTO A LA COMPRA DE TODO PRODUCTO DE MILWAUKEE. SI USTED NO ACEPTA ESTA CONDICIÓN, NO DEBE COMPRAR EL PRODUCTO. MILWAUKEE NO SERÁ RESPONSABLE EN NINGÚN CASO DE DAÑOS INCIDENTALES, ESPECIALES, EMERGENTES O PUNITIVOS NI DE NINGÚN COSTO, HONORARIOS DE ABOGADOS, GASTOS, PÉRDIDAS O DEMORAS QUE SUPUESTAMENTE SEAN CONSECUENCIA DE ALGUN DAÑO, FALLA O DEFECTO DE ALGUNO DE LOS PRODUCTOS, INCLUYENDO, ENTRE OTROS, RECLAMACIONES POR PÉRDIDA DE UTILIDADES, ALGUNOS ESTADOS NO PERMITEN LA EXCLUSIÓN O LIMITACIÓN DE RESPONSABILIDAD POR DAÑOS INCIDENTALES O EMERGENTES, POR LO QUE LA ANTERIOR LIMITACIÓN O EXCLUSIÓN PODRÍA NO APLICARSE EN SU CASO. ESTA GARANTÍA ES EXCLUSIVA Y SUSTITUYE TODAS LAS DEMÁS GARANTÍAS EXPRESAS, SEAN ESTAS ESCRITAS U ORALES, HASTA DONDE PERMITA LA LEY, MILWAUKEE DESCONOCE CUALQUIER GARANTÍA IMPLÍCITA, INCLUYENDO, SIN LIMITACIÓN, CUALQUIER GARANTÍA IMPLÍCITA DE COMERCIABILIDAD O IDONEIDAD PARA UN FIN O USO ESPECÍFICO; HASTA EN QUE DICHO DESCONOCIMIENTO NO SEA PERMITIDO POR LA LEY. DICHAS GARANTÍAS IMPLÍCITAS SE LIMITAN A LA DURACIÓN DE LA GARANTÍA EXPRESA CORRESPONDIENTE SEGÚN LO ARRIBA DESCRITO. ALGUNOS ESTADOS NO PERMITEN LIMITACIONES EN LA VIGENCIA DE UNA GARANTÍA IMPLÍCITA, POR LO QUE LA ANTERIOR LIMITACIÓN PODRÍA NO APLICAR A USTED. ESTA GARANTÍA LE CONFIERE DERECHOS JURÍDICOS ESPECÍFICOS Y USTED PODRÍA, ADEMÁS, TENER OTROS DERECHOS QUE VARIAN SEGÚN EL ESTADO.

Esta garantía aplica únicamente a los productos vendidos en EE. UU. y Canadá.

Consulte la pestaña "Búsqueda de centro de servicio" en la sección de Partes y servicio del sitio web de MILWAUKEE en [www.milwaukeetool.com](http://www.milwaukeetool.com) o llame al 1.800.SAWDUST (1.800.729.3878) para localizar su centro de servicio más cercano para darle servicio, con y sin garantía, a una herramienta de MILWAUKEE.

# **PÓLIZA DE GARANTÍA - VALIDA SOLO PARA MEXICO, AMÉRICA CENTRAL Y EL CARIBE**

La garantía de TECHTRONIC INDUSTRIES es por 5 años a partir de la fecha original de compra.

Esta tarjeta de garantía cubre cualquier defecto de material y mano de obra en ese Producto.

Para hacer válida esta garantía, presente esta tarjeta de garantía, cerrada/sellada por el distribuidor o la tienda donde compró el producto, al Centro de Servicio Autorizado (ASC). O, si esta tarjeta no se ha cerrado/sellado, presente la prueba original de compra a ASC. Llame 55 4160-3547 para encontrar el ASC más cercano, para servicio, partes, accesorios o componentes.

## **Procedimiento para hacer válida esta garantía**

Lleve el producto a ASC, junto con la tarjeta de garantía cerrada/sellada por el distribuidor o la tienda donde compró el producto, y cualquier pieza o componente defectuoso se reemplazará sin costo para usted. Cubriremos todos los costos de flete con relación a este proceso de garantía.

## **Excepciones**

Esta garantía no tendrá validez en las siguientes situaciones:

- Cuando el producto se use de manera distinta a la que indica el manual del usuario final o de instrucciones.
- Cuando las condiciones de uso no sean normales.
- Cuando otras personas no autorizadas por TECHTRONIC INDUSTRIES modifiquen o reparen el producto.

**Nota:** si el juego de cables está dañado, tiene que reemplazarse en un Centro de Servicio Autorizado para evitar riesgos eléctricos.

**CENTRO DE SERVICIO Y ATENCIÓN**

Llame al 55 4160-3547

IMPORTADO Y COMERCIALIZADO POR

TECHTRONIC INDUSTRIES, MÉXICO, S.A. DE C.V.

Miguel de Cervantes Saavedra No.301 Piso 5, Torre Norte

11520 Colonia Ampliación Granada

Miguel Hidalgo, Ciudad de Mexico, Mexico

**Modelo:** \_\_\_\_\_

**Fecha de Compra:** \_\_\_\_\_

**Sello del Distribuidor:**

**MILWAUKEE TOOL**  
13135 West Lisbon Road  
Brookfield, WI 53005 USA

58149988d1  
06/23

961014472-01(B)  
Printed in