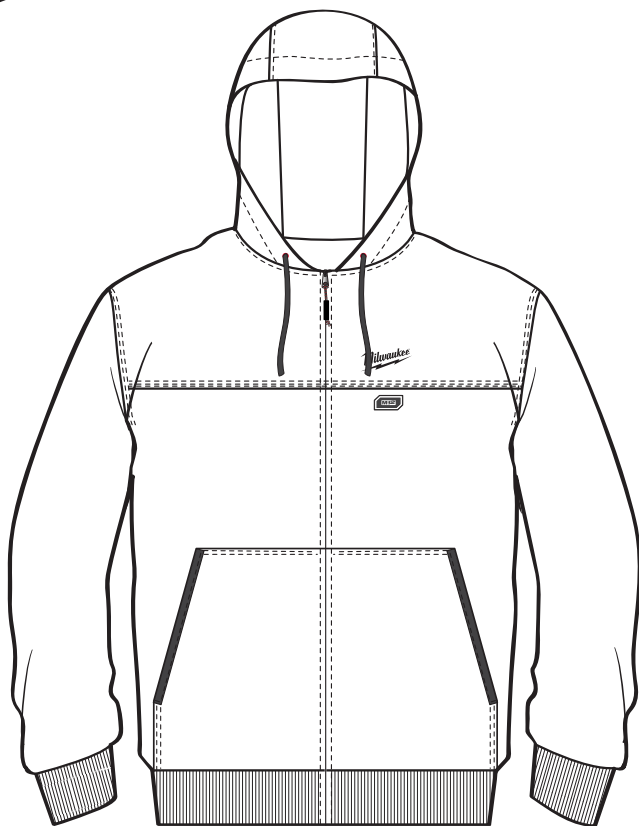




OPERATOR'S MANUAL  
MANUEL de L'UTILISATEUR  
MANUAL del OPERADOR



Cat. No. / No de cat.

**302 Series**

**43-72-1000**

**M12™ HEATED HOODIE AND M12™ BATTERY HOLDER**

**CAPUCHE CHAUFFANTE M12™ ET CONTRÔLEUR  
DE BATTERIE M12™**

**CHAQUETA CON CALEFACCIÓN Y CAPUCHA M12™ Y  
CONTROL DE BATERÍA M12™**



**WARNING** To reduce the risk of injury, user must read and understand operator's manual.

**AVERTISSEMENT** Afin de réduire le risque de blessures, l'utilisateur doit lire et bien comprendre le manuel.

**ADVERTENCIA** Para reducir el riesgo de lesiones, el usuario debe leer y entender el manual.

## GENERAL PRODUCT SAFETY WARNINGS

**WARNING** Read all safety warnings and instructions. Failure to follow all instructions listed below may result in electric shock, fire and/or serious injury. Save all warnings and instructions for future reference.

### WORK AREA SAFETY

•Keep work area clean and well lit. Cluttered or dark areas invite accidents.

### ELECTRICAL SAFETY

•Do not expose heated hoodie to rain or wet conditions. Water will increase the risk of electric shock.  
•Do not abuse the power cable. Never use the cord for carrying, pulling or unplugging the heated hoodie. Keep cord away from heat, oil, sharp edges or moving parts.

### PERSONAL SAFETY

•Stay alert, watch what you are doing and use common sense when using the heated hoodie. Do not use while you are tired or under the influence of drugs, alcohol or medication. A moment of inattention may result in serious personal injury.

### POWER TOOL USE AND CARE

•Do not use the heated hoodie if the power button does not turn it on and off. Any heated hoodie that cannot be controlled with the power button is dangerous and must be repaired.  
•Disconnect the battery pack from the heated hoodie before storing. Such preventive safety measures reduce the risk of starting the heated hoodie accidentally.  
•Store out of the reach of children and do not allow persons unfamiliar with these instructions to operate the heated hoodie. Heated hoodie can be dangerous in the hands of untrained users.  
•Maintain heated hoodie. Check for breakage of parts and any other condition that may affect the heated hoodie's operation. If damaged, have the heated hoodie repaired before use.  
•Use the heated hoodie in accordance with these instructions, taking into account the working conditions and the work to be performed. Use of the heated hoodie for operations different from those intended could result in a hazardous situation.

### BATTERY TOOL USE AND CARE

•Recharge only with the charger specified by the manufacturer. A charger that is suitable for one type of battery pack may create a risk of fire when used with another battery pack.  
•Use heated hoodie only with specifically designated battery packs. Use of any other battery packs may create a risk of injury and fire.  
•When battery pack is not in use, keep it away from other metal objects like paper clips, coins, keys, nails, screws, or other small metal objects that can make a connection from one terminal to another. Shorting the battery terminals together may cause burns or a fire.  
•Under abusive conditions, liquid may be ejected from the battery; avoid contact. If contact accidentally occurs, flush with water. If liquid contacts eyes, additionally seek medical help. Liquid ejected from the battery may cause irritation or burns.

## SERVICE

•Have your heated hoodie serviced by a qualified repair person using only identical replacement parts. This will ensure that the safety of the heated hoodie is maintained.

### SPECIFIC SAFETY RULES FOR HEATED HOODIE

Read instructions carefully.









Use:

- Do not use this heated hoodie with an infant, child, a helpless person, or anyone insensitive to heat, such as a person with poor blood circulation.
- If you have a medical condition making you sensitive to overheating, or you use any personal medical devices, consult the device manufacturer and/or your physician to determine if use of this product is appropriate.
- Never use if inner liner is wet.
- Heating elements are not recommended to touch bare skin.
- Shut off power immediately if discomfort occurs.
- Do not allow the cords to be pinched.
- If improper operation of this heated hoodie is observed, discontinue its use immediately and contact a MILWAUKEE service facility for repair.
- Do not use pins. They may damage the electric wiring.

Care:

- Before washing, disconnect and remove battery pack and battery holder from battery holder pocket. Push the power cord completely into the battery holder pocket and fasten closed.
- Follow Care Instructions on hoodie tags. Machine wash, Gentle Cycle in warm water. Tumble Dry Low Heat.
- Do not bleach.
- Do not iron.
- Do not wring or twist.
- Do not dry clean. Do not use dry-cleaning fluid on this heated hoodie. Do not bleach. Cleaning solvents may have a deteriorating effect on the insulation of the heating element.
- Maintain labels and nameplates. These carry important information. If unreadable or missing, contact a MILWAUKEE service facility for a free replacement.

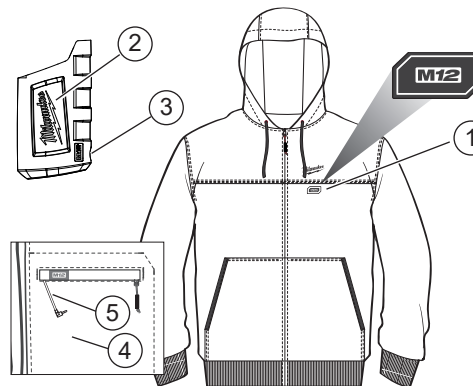
### SYMBOLGY

	Volts
	Direct Current
	Machine wash, gentle cycle in warm water
	Do not bleach
	Do not wring or twist
	Tumble dry, low heat
	Do not iron
	Do not dry-clean

## SPECIFICATIONS

Cat. No. ....302 Series  
43-72-1000  
Volts..... 12 DC  
Battery Type..... M12™  
Charger Type..... M12™

### FUNCTIONAL DESCRIPTION



- |                   |                          |
|-------------------|--------------------------|
| 1. Power button   | 2. Battery holder        |
| High: Red LED     | 3. Power cable port      |
| Medium: White LED | 4. Battery holder pocket |
| Low: Blue LED     | 5. Power cable           |

### ASSEMBLY

**WARNING** Recharge only with the charger specified for the battery. For specific charging instructions, read the operator's manual supplied with your charger and battery.

#### Inserting/Removing the Battery

To insert the battery, slide the pack into the body of the battery holder. Make sure it latches securely into place.

Insert the power cable (from inside the battery holder pocket) into the power cable port on the battery holder. Place the battery holder into the pocket and press pocket closed.

To remove the battery, push in the release buttons and pull the battery pack away from the holder.

### OPERATION

The power button is located on the upper left side of the hoodie.

To turn on, press and hold the heated hoodie power button (1 to 2 seconds). The hoodie will be turned to High and the red LED will light.

Temperature setting can be adjusted at any time by pressing the heated hoodie power button. Each press will cycle through the heated hoodie's temperature settings.

To turn off the heated hoodie, press and hold the heated hoodie power button until the LED turns off (1 to 2 seconds).

If the heated hoodie turns off unexpectedly, check connections and charge the battery pack.

## CARE

**WARNING** To reduce the risk of injury, always unplug the charger and remove the battery pack and battery holder from the heated hoodie before performing any maintenance. Never disassemble the heated hoodie, battery pack or charger. Contact a MILWAUKEE service facility for ALL repairs.

If the heated hoodie does not start or operate properly with a fully charged battery pack, clean the contacts on the battery pack. If the heated hoodie still does not work properly, return the heated hoodie, charger and battery pack, to a MILWAUKEE service facility for repairs.

**WARNING** To reduce the risk of personal injury and damage, disconnect and remove battery pack and battery holder from battery holder pocket before washing. Never immerse your battery holder, battery pack, or charger in liquid or allow a liquid to flow inside them.

To clean the heated hoodie:

1. Remove battery pack and battery holder.
2. Push the power cord completely into the battery holder pocket and fasten closed.
3. Machine wash, Gentle Cycle in warm water. Do not use bleach. Do not dry clean. Do not wring or twist.
4. Tumble Dry on Low Heat. Do not iron.

### ACCESSORIES

**WARNING** Use only recommended accessories. Others may be hazardous.

For a complete listing of accessories, go online to [www.milwaukeetool.com](http://www.milwaukeetool.com) or contact a distributor.

### SERVICE - UNITED STATES

**1-800-SAWDUST** (1.800.729.3878)  
Monday-Friday, 7:00 AM - 6:30 PM CST  
or visit [www.milwaukeetool.com](http://www.milwaukeetool.com)

Contact Corporate After Sales Service Technical Support with technical, service/repair, or warranty questions.

Email: [metproductsupport@milwaukeetool.com](mailto:metproductsupport@milwaukeetool.com)

Become a Heavy Duty Club Member at [www.milwaukeetool.com](http://www.milwaukeetool.com) to receive important notifications regarding your tool purchases.

### SERVICE - CANADA

**Milwaukee Tool (Canada) Ltd**  
**1.800.268.4015**

Monday-Friday, 7:00 AM - 4:30 PM CST  
or visit [www.milwaukeetool.ca](http://www.milwaukeetool.ca)

## LIMITED WARRANTY USA & CANADA

Every MILWAUKEE HEATED GEAR product (including its battery holder/controller) is warranted to the original purchaser only to be free from defects in material and workmanship. Subject to certain exceptions, MILWAUKEE will repair or replace any part on a Heated Gear product which, after examination, is determined by MILWAUKEE to be defective in material or workmanship for a period of one (1) year\* after the date of purchase. Return of a Heated Gear product to a MILWAUKEE factory Service Center location, freight prepaid and insured, is required. A copy of the proof of purchase should be included with the return product. This warranty does not apply to damage that MILWAUKEE determines to be from repairs made or attempted by anyone other than MILWAUKEE personnel, misuse, alterations, abuse, normal wear and tear, or accidents.

\*This warranty does not cover a M12™ LITHIUM-ION Battery Pack, a M12™ Charger, or a REDLITHIUM™ USB battery; there are separate and distinct warranties available for these products.

Warranty Registration is not necessary to obtain the applicable warranty on MILWAUKEE Heated Gear products. The manufacturing date of the product will be used to determine the warranty period if no proof of purchase is provided at the time warranty service is requested. ACCEPTANCE OF THE EXCLUSIVE REPAIR AND REPLACEMENT REMEDIES DESCRIBED HEREIN IS A CONDITION OF THE CONTRACT FOR THE PURCHASE OF EVERY MILWAUKEE PRODUCT. IF YOU DO NOT AGREE TO THIS CONDITION, YOU SHOULD NOT PURCHASE THE PRODUCT. IN NO EVENT SHALL MILWAUKEE BE LIABLE FOR ANY INCIDENTAL, SPECIAL, CONSEQUENTIAL OR PUNITIVE DAMAGES, OR FOR ANY COSTS, ATTORNEY FEES, EXPENSES, LOSSES OR DELAYS ALLEGED TO BE AS A CONSEQUENCE OF ANY DAMAGE TO, FAILURE OF, OR DEFECT IN ANY PRODUCT INCLUDING, BUT NOT LIMITED TO, ANY CLAIMS FOR LOSS OF PROFITS. SOME STATES DO NOT ALLOW THE EXCLUSION OR LIMITATION OF INCIDENTAL OR CONSEQUENTIAL DAMAGES, SO THE ABOVE LIMITATION OR EXCLUSION MAY NOT APPLY TO YOU. THIS WARRANTY IS EXCLUSIVE AND IN LIEU OF ALL OTHER EXPRESS WARRANTIES, WRITTEN OR ORAL. TO THE EXTENT PERMITTED BY LAW, MILWAUKEE DISCLAIMS ANY IMPLIED WARRANTIES, INCLUDING WITHOUT LIMITATION ANY IMPLIED WARRANTY OF MERCHANTABILITY OR FITNESS FOR A PARTICULAR USE OR PURPOSE; TO THE EXTENT SUCH DISCLAIMER IS NOT PERMITTED BY LAW, SUCH IMPLIED WARRANTIES ARE LIMITED TO THE DURATION OF THE APPLICABLE EXPRESS WARRANTY AS DESCRIBED ABOVE. SOME STATES DO NOT ALLOW LIMITATIONS ON HOW LONG AN IMPLIED WARRANTY LASTS, SO THE ABOVE LIMITATION MAY NOT APPLY TO YOU. THIS WARRANTY GIVES YOU SPECIFIC LEGAL RIGHTS, AND YOU MAY ALSO HAVE OTHER RIGHTS WHICH VARY FROM STATE TO STATE.

This warranty applies to product sold in the U.S.A. and Canada only. Please consult the 'Service Center Search' in the Parts & Service section of MILWAUKEE's website [www.milwaukeeetool.com](http://www.milwaukeeetool.com) or call 1.800.SAWDUST (1.800.729.3878) to locate your nearest MILWAUKEE factory Service Center location.

## LIMITED WARRANTY USA & CANADA - BATTERY

Every MILWAUKEE REDLITHIUM USB battery and charger\* is warranted to the original purchaser only to be free from defects in material and workmanship. Subject to certain exceptions, MILWAUKEE will repair or replace repair a REDLITHIUM USB battery or charger which, after examination, is determined by MILWAUKEE to be defective in material or workmanship for a period of two (2) years after the date of purchase unless otherwise noted. Return of the REDLITHIUM USB battery or charger to a MILWAUKEE factory Service Center location or MILWAUKEE Authorized Service Station, freight prepaid and insured, is required. For the proper shipping procedure of battery packs, contact 1.800.SAWDUST (1.800.729.3878), or go to [www.milwaukeeetool.com](http://www.milwaukeeetool.com). A copy of the proof of purchase should be included with the return product. This warranty does not apply to damage that MILWAUKEE determines to be from repairs made or attempted by anyone other than MILWAUKEE authorized personnel, misuse, alterations, abuse, normal wear and tear, lack of maintenance, or accidents.

Normal Wear: This warranty does not cover repair or replacement when normal use has exhausted the life of a part including, but not limited to charging cables, and wall plugs.

\*This warranty does not cover any cordless product sold with the REDLITHIUM USB battery and/or charger. There are separate and distinct warranties available for these products. ACCEPTANCE OF THE EXCLUSIVE REPAIR AND REPLACEMENT REMEDIES DESCRIBED HEREIN IS A CONDITION OF THE CONTRACT FOR THE PURCHASE OF EVERY MILWAUKEE PRODUCT. IF YOU DO NOT AGREE TO THIS CONDITION, YOU SHOULD NOT PURCHASE THE PRODUCT. IN NO EVENT SHALL MILWAUKEE BE LIABLE FOR ANY INCIDENTAL, SPECIAL, CONSEQUENTIAL OR PUNITIVE DAMAGES, OR FOR ANY COSTS, ATTORNEY FEES, EXPENSES, LOSSES OR DELAYS ALLEGED TO BE AS A CONSEQUENCE OF ANY DAMAGE TO, FAILURE OF, OR DEFECT IN ANY PRODUCT INCLUDING, BUT NOT LIMITED TO, ANY CLAIMS FOR LOSS OF PROFITS. SOME STATES DO NOT ALLOW THE EXCLUSION OR LIMITATION OF INCIDENTAL OR CONSEQUENTIAL DAMAGES, SO THE ABOVE LIMITATION OR EXCLUSION MAY NOT APPLY TO YOU. THIS WARRANTY IS EXCLUSIVE AND IN LIEU OF ALL OTHER EXPRESS WARRANTIES, WRITTEN OR ORAL. TO THE EXTENT PERMITTED BY LAW, MILWAUKEE DISCLAIMS ANY IMPLIED WARRANTIES, INCLUDING WITHOUT LIMITATION ANY IMPLIED WARRANTY OF MERCHANTABILITY OR FITNESS FOR A PARTICULAR USE OR PURPOSE; TO THE EXTENT SUCH DISCLAIMER IS NOT PERMITTED BY LAW, SUCH IMPLIED WARRANTIES ARE LIMITED TO THE DURATION OF THE APPLICABLE EXPRESS WARRANTY AS DESCRIBED ABOVE. SOME STATES DO NOT ALLOW LIMITATIONS ON HOW LONG AN IMPLIED WARRANTY LASTS, SO THE ABOVE LIMITATION MAY NOT APPLY TO YOU. THIS WARRANTY GIVES YOU SPECIFIC LEGAL RIGHTS, AND YOU MAY ALSO HAVE OTHER RIGHTS WHICH VARY FROM STATE TO STATE.

This warranty applies to product sold in the U.S.A. and Canada only. Please consult the Find a Service Center Search in the Parts & Service section of MILWAUKEE's website [www.milwaukeeetool.com](http://www.milwaukeeetool.com) or call 1.800.SAWDUST (1.800.729.3878) to locate your nearest MILWAUKEE factory Service Center location.

## RÈGLES DU PRODUIT SÉCURITÉ GÉNÉRALES

### ⚠️ AVERTISSEMENT Lire toutes les règles et instructions de sécurité.

Ne pas suivre l'ensemble des règles et instructions peut entraîner une électrocution, un incendie ou des blessures graves. **Conserver les règles et les instructions à des fins de référence ultérieure.**

### SÉCURITÉ DU LIEU DE TRAVAIL

• **Conservez l'aire de travail propre et bien éclairée.** Le désordre et le manque de lumière favorisent les accidents.

### SÉCURITÉ ÉLECTRIQUE

- **Ne pas exposer la veste chauffante à la pluie ou à l'humidité.** L'eau accroît le risque de décharge électrique.
- **Ne pas malmener le cordon d'alimentation. Ne jamais utiliser le cordon pour transporter, tirer ou débrancher la veste chauffante.** Tenir le cordon loin de la chaleur, de l'huile, des rebords tranchants et des pièces en mouvement.

### SÉCURITÉ INDIVIDUELLE

- **Rester vigilant, se concentrer sur son travail et faire preuve de bon sens au moment d'utiliser la veste chauffante. Ne pas utiliser cet appareil en cas de fatigue ou sous l'influence de l'alcool, de drogues ou de médicaments.** Un moment d'inattention peut se solder par une blessure grave.

### PRODUCTO DE USO Y CUIDADO

- **Ne pas utiliser la veste chauffante si le bouton « On/Off » (Marche/arrêt) ne permet pas de l'allumer ou de l'éteindre.** Une unité qui ne peut être commandée à l'aide du bouton « On/Off » (Marche/arrêt) est dangereuse et doit être réparée.
- **Débrancher le bloc-piles de la veste chauffante avant de l'entreposer.** De telles mesures de sécurité préventive réduisent le risque de démarrage accidentel de la veste chauffante.
- **Entreposer le produit hors de la portée des enfants et interdire à des personnes non familiarisées avec ces instructions de l'utiliser.** La veste chauffante est dangereuse dans les mains d'utilisateurs novices.
- **Entretenir la veste chauffante. Repérer tout bris ou toute autre condition nuisible au fonctionnement de la veste chauffante. En cas de dommages, faire réparer la veste chauffante avant de l'utiliser.**
- **Utiliser la veste chauffante conformément à ces instructions en tenant compte des conditions de travail et de la tâche à effectuer.** L'utilisation de ce produit pour des tâches pour lesquelles il n'est pas conçu peut créer une situation dangereuse.

## UTILISATION ET ENTRETIEN DE LA BATTERIE

- **Ne recharger qu'avec le chargeur spécifié par le fabricant.** Un chargeur qui convient à un type de bloc piles peut créer un risque d'incendie s'il est utilisé avec un autre bloc-piles.
- **N'utiliser la veste chauffante qu'avec les blocs-piles recommandés.** L'utilisation de tout autre bloc piles peut créer un risque de blessures et d'incendie.
- **Lorsque le bloc-piles n'est pas utilisé, le tenir éloigné des objets en métal tels que les trombones, les pièces de monnaie, les clés, les clous, les vis ou d'autres petits objets métalliques qui pourraient connecter les bornes.** Le court-circuitage des bornes du bloc-piles peut entraîner des brûlures ou un incendie.
- **Éviter tout contact avec le liquide pouvant être éjecté de la batterie en cas de manutention abusive. En cas de contact accidentel, rincer abondamment avec de l'eau.** Si le liquide entre en contact avec les yeux, consulter un médecin. L'électrolyte qui s'échappe de la pile peut causer des démangeaisons ou des brûlures.

### ENTRETIEN

- **Confier la réparation de la veste chauffante à un réparateur qualifié qui utilise des pièces de rechange identiques aux pièces d'origine, ce qui préservera la sûreté du produit.**

## RÈGLES DE SÉCURITÉ SPÉCIFIQUES POUR CAPUCHE CHAUFFANTE

Lire les instructions attentivement.

Utilisation :









- **Ne pas utiliser cette veste chauffante pour un bébé, un enfant, une personne impotente ou quiconque est insensible à la chaleur, comme quelqu'un ayant une mauvaise circulation sanguine.**
- **Ne jamais utiliser le produit si la doublure intérieure est mouillée.**
- **Il n'est pas recommandé que les éléments chauffants touchent la peau nue.**
- **Couper immédiatement l'alimentation en cas d'inconfort.**
- **Éviter de coincer les cordons.**
- **Si la veste chauffante fonctionne mal, cesser immédiatement de l'utiliser et communiquer avec un centre de service MILWAUKEE aux fins de réparation.**
- **Ne pas installer d'épinglette. Elles risquent d'endommager le câblage électrique.**

Entretien :

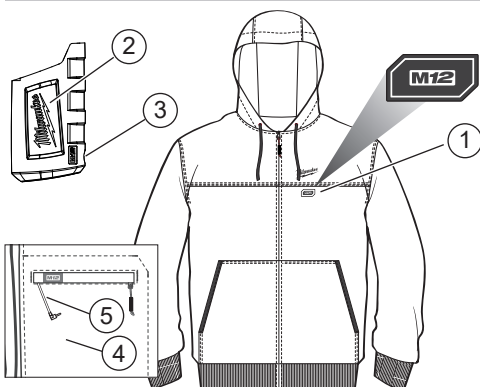
- **Débrancher le bloc-piles et le retirer, avec le porte piles, de leur pochette avant de laver la veste. Veuillez enfoncer complètement le cordon d'alimentation dans le porte-pile et refermez-le.**
- **Suivez les consignes d'entretien sur la veste. Lavage en machine, tiède, doux. Sèche-linge basse température.**
- **Ne pas blanchir.**
- **Ne pas repasser.**
- **Ne pas tordre.**
- **Ne pas nettoyer à sec.** Ne pas utiliser un liquide de nettoyage à sec avec ce vêtement. Ne pas blanchir. Les solvants de nettoyage peuvent détériorer l'isolation de l'élément chauffant.
- **Maintenir en l'état les étiquettes et les plaques d'identification.** Des informations importantes y figurent. Si elles sont illisibles ou manquantes, contacter un centre de services et d'entretien MILWAUKEE pour un remplacement gratuit.



## PICTOGRAPHIE

-  Volts
-  Courant direct
-  Lavage en machine, tiède, doux
-  Ne pas blanchir
-  Ne pas essorer ou tordre
-  Sèche-linge basse température
-  Ne pas repasser
-  Ne pas nettoyer à sec

## DESCRIPTION FONCTIONNELLE



1. Bouton d'alimentation; Élevé : DÉL rouge s'allume  
Moyen : DÉL blanche s'allume  
Faible : DÉL bleue s'allume
2. Porte-piles
3. Port du câble d'alimentation
4. Support du porte-piles
5. Câble d'alimentation

## SPECIFICATIONS

No de Cat.....	302 Séries
	43-72-1000
Volts.....	12 CD
Type de batterie .....	M12™
Type de chargeur .....	M12™

## MONTAGE DE L'OUTIL

**⚠ AVERTISSEMENT** Ne recharger la batterie qu'avec le chargeur spécifié. Pour les instructions de charge spécifiques, lire le manuel d'utilisation fourni avec le chargeur et les batteries.

### Insertion et retrait du bloc piles

Pour **insérer** le bloc-piles, le glisser dans le corps du porte piles. S'assurer qu'il y est bien inséré. Insérer le câble d'alimentation (à partir de l'intérieur de la pochette de logement) dans le port du câble d'alimentation.

Placer le porte-piles dans la pochette et fermer la fermeture.

Pour **retirer** le bloc-piles, appuyer sur les boutons de relâchement et l'extraire du porte-piles.

## MANIEMENT

Le bouton d'alimentation électrique se trouve sur le côté supérieur gauche de la gaine.

Pour **allumer la veste**, appuyer sur le bouton d'alimentation de la veste chauffante et le tenir enfoncé (pendant environ 1 - 2 secondes). Le réchauffage de la zone sera ajusté sur Haut et le DEL rouge s'allume.

Il est possible **d'ajuster** la température à tout moment en appuyant sur le bouton d'alimentation du produit. Chaque fois que l'utilisateur appuie sur le bouton d'alimentation, il fait défiler les divers réglages de température.

Pour **éteindre la veste**, appuyer sur le bouton d'alimentation de la veste chauffante et le tenir enfoncé (pendant environ 1 - 2 secondes).

Si la veste chauffante est éteinte accidentellement, vérifier les raccords et charger le bloc-piles.

## ENTRETIEN

**⚠ AVERTISSEMENT** Pour réduire le risque de blessure, toujours débrancher le chargeur et retirer le bloc-piles et le porte-piles de la veste chauffante avant d'effectuer toute opération d'entretien. Ne jamais démonter la veste chauffante, le bloc-piles ou le chargeur. Pour TOUTE réparation, communiquer avec un centre de service MILWAUKEE.

Si la veste chauffante ne démarre pas ou ne fonctionne pas adéquatement une fois le bloc-piles complètement chargé, nettoyer les contacts du bloc-piles. Si la veste chauffante ne fonctionne toujours pas, la retourner ainsi que le chargeur et le bloc-piles à un centre de service MILWAUKEE aux fins de réparation.

**⚠ AVERTISSEMENT** Pour réduire le risque de blessures et de dommages, débrancher le bloc-piles et le retirer, avec le porte piles, de leur pochette avant de laver la veste. Ne jamais immerger le porte-piles, le bloc-piles ou le chargeur dans un liquide ou laisser un liquide s'infiltrer dans ceux-ci.

Pour nettoyer la veste chauffante :

1. Retirer le bloc-piles et le porte-piles.
2. Veuillez enfoncer complètement le cordon d'alimentation dans le porte-pile et refermez-le.
3. Lavage en machine, tiède, doux. Sèche-linge basse température. Ne pas blanchir. Ne pas nettoyer à sec. Ne pas tordre.
4. Sèche-linge basse température. Ne pas repasser.

## ACCESSOIRES

**⚠ AVERTISSEMENT** L'utilisation d'autres accessoires que ceux qui sont spécifiquement recommandés pour cet outil peut comporter des risques.

Pour une liste complète des accessoires, visiter le site internet [www.milwaukeetool.com](http://www.milwaukeetool.com) ou contactez un distributeur.

## SERVICE - CANADA

**Milwaukee Tool (Canada) Ltd**  
1.800.268.4015

Monday-Friday, 7:00 AM - 4:30 PM CST  
[www.milwaukeetool.ca](http://www.milwaukeetool.ca)

## GARANTIE LIMITÉE - AUX ÉTATS-UNIS ET AU CANADA

Chaque produit de VÊTEMENTS CHAUFFANTS MILWAUKEE (y compris leurs portes-piles/manettes) n'est garanti qu'à l'acheteur d'origine d'être exempt de défauts de matériaux et de main-d'œuvre. Sous réserve de certaines exceptions, MILWAUKEE réparera ou remplacera toute pièce d'un produit de vêtements chauffants qui, après examen, sera confirmée par MILWAUKEE être affectée d'un vice de matériel ou de main-d'œuvre pendant une période d'un (1) an\* après la date d'achat. Il faut retourner le produit de vêtements chauffants à un centre de réparations en usine MILWAUKEE, en port prépayé et assuré. Une copie de la preuve d'achat doit être présentée lors du retour du produit. Cette garantie ne couvre pas les dommages que MILWAUKEE détermine être causés par des réparations ou des tentatives de réparation par quiconque autre que le personnel agréé par MILWAUKEE, des utilisations incorrectes, des altérations, des utilisations abusives, une usure normale ou des accidents. \*Cette garantie ne couvre pas le bloc-piles M12™ LITHIUM-ION, le chargeur M12™ ni la pile USB REDLITHIUM™ ; il existe des garanties distinctes pour ces produits.

L'enregistrement de la garantie n'est pas nécessaire pour bénéficier de la garantie en vigueur sur de produits de vêtements chauffants MILWAUKEE. La date de fabrication du produit servira à établir la période de garantie si aucune preuve d'achat n'est fournie lorsqu'une demande de service sous garantie est faite.

L'ACCEPTATION DES RECOURS EXCLUSIFS DE RÉPARATION ET DE REMPLACEMENT DÉCRITS PAR LA PRÉSENTE EST UNE CONDITION DU CONTRAT D'ACHAT DE TOUT PRODUIT MILWAUKEE. SI VOUS N'ACCEPTÉZ PAS CETTE CONDITION, VOUS NE DEVEZ PAS ACHETER LE PRODUIT. EN AUCUN CAS MILWAUKEE NE SAURAIT ÊTRE RESPONSABLE DE TOUT DOMMAGE ACCESSOIRE, SPÉCIAL OU INDIRECT, DE DOMMAGES-INTÉRÊTS PUNITIFS OU DE TOUTE DÉPENSE, D'HONORAIRES D'AVOCATS, DE FRAIS, DE PERTE OU DE DÉLAIS ACCESSOIRES À TOUT DOMMAGE, DÉFAILLANCE OU DÉFAUT DE TOUT PRODUIT, Y COMPRIS NOTAMMENT LES PERTES DE PROFIT, CERTAINS ÉTATS ET PROVINCES NE PERMETTANT L'EXCLUSION OU LA LIMITATION DES DOMMAGES DIRECTS OU INDIRECTS, LES RESTRICTIONS CI-DESSOUS PEUVENT NE PAS ÊTRE APPLICABLES. CETTE GARANTIE EST EXCLUSIVE ET REMPLACE TOUTE AUTRE GARANTIE EXPRESSE, QU'ELLE SOIT VERBALE OU ÉCRITE. DANS LA MESURE PERMISE PAR LA LOI, MILWAUKEE RENONCE À TOUTE GARANTIE IMPLICITE, Y COMPRIS, SANS S'Y LIMITER, TOUTE GARANTIE IMPLICITE DE QUALITÉ MARCHANDE OU D'ADAPTATION À UNE UTILISATION OU À UNE FIN PARTICULIÈRE. DANS LA MESURE OU UNE TELLE STIPULATION D'EXONÉRATION N'EST PAS PERMISE PAR LA LOI, LA DURÉE DE CES GARANTIES IMPLICITES EST LIMITÉE À LA PÉRIODE APPLICABLE DE LA GARANTIE EXPRESSE, TEL QUE CELA EST DÉCRIT PRÉCÉDEMMENT. CERTAINS ÉTATS ET PROVINCES NE PERMETTANT PAS DE LIMITATION DE DURÉE DES GARANTIES IMPLICITES, LES RESTRICTIONS CI-DESSUS PEUVENT NE PAS ÊTRE APPLICABLES. LA PRÉSENTE CONFÈRE À L'UTILISATEUR DES DROITS LÉGAUX PARTICULIERS ; IL BÉNÉFICIE ÉGALEMENT D'AUTRES DROITS QUI VARIENT D'UN ÉTAT À L'AUTRE. Cette garantie s'applique aux produits vendus aux États-Unis et au Canada uniquement.

Veillez consulter l'onglet « Trouver un centre service », dans la section Pièces et service du site web de MILWAUKEE, à l'adresse [www.milwaukeetool.ca/fr](http://www.milwaukeetool.ca/fr), ou composer le 1.800.SAWDUST (1.800.729.3878) afin de trouver le centre de réparations en usine MILWAUKEE le plus proche.

## GARANTIE LIMITÉE - AUX ÉTATS-UNIS ET AU CANADA - BLOC-PILES

Chaque chargeur ou piles REDLITHIUM USB\* de MILWAUKEE est garanti à l'acheteur original uniquement à propos d'une exception des défauts en matériel et fabrication. Soumis à certaines exceptions, MILWAUKEE réparera ou remplacera une pile ou un chargeur REDLITHIUM USB que, après une inspection, soit déterminé par MILWAUKEE qui est défectueux à propos du matériel ou construction par une période de deux (2) années après la date d'achète, sauf indication contraire. Il est nécessaire que la pile ou le chargeur REDLITHIUM USB soit rendu à un Centre de Service usine MILWAUKEE ou bien, une Station-Service Autorisée MILWAUKEE, avec un fret assuré et constaté d'avance. Pour plus d'informations sur la procédure d'envoi appropriée, veuillez contacter le numéro 1.800.SAWDUST (1.800.729.3878) ou le site d'Internet [www.milwaukeetool.com](http://www.milwaukeetool.com). Une copie de la preuve d'achat devra être incluse avec le produit rendu. Cette garantie n'est pas applicable à des dommages que soient déterminés par MILWAUKEE qui sont des réparations faites ou tentées par quelqu'un d'autre que le personnel autorisé de MILWAUKEE, usage abusif, altérations, maltraitance, usure naturelle, absence d'entretien ou accidents.

Usure régulière : Cette garantie n'inclut pas des réparations ou remplacements lorsque l'usure naturelle ait épuisé la vie d'une pièce, y compris les câbles de chargement et adaptateurs muraux. \*Cette garantie n'inclut pas de produits sans fil vendus avec la pile et le chargeur REDLITHIUM USB. Il y a des garanties indépendantes et différentes disponibles pour ces produits.

L'ACCEPTATION DES RECOURS DE REMPLACEMENT ET RÉPARATIONS EXCLUSIFS DÉCRITS CI-INCLUS EST UNE CONDITION CONTRACTUELLE POUR L'ACHAT DE TOUS LES PRODUITS MILWAUKEE. SI VOUS N'ÊTES PAS D'ACCORD AVEC CETTE CONDITION, VOUS NE DEVEZ PAS ACHETER LE PRODUIT. EN AUCUN CAS MILWAUKEE NE SERA RESPONSABLE DES DOMMAGES IMPRÉVUS, RÉSULTANTS, SPÉCIAUX NI RÉPRESSIFS NI AUCUN COÛT, HONORAIRE D'AVOCAT, DÉPENSE, PERTE NI DÉLAI QUI SE PRÉSENTENT COMME UN RÉSULTAT DE N'IMPORTE QUEL DOMMAGE, ÉCHEC OU DÉFAUT EN N'IMPORTE QUEL PRODUIT, Y COMPRIS N'IMPORTE QUELLE PRÉTENTION DE PERTES DE PROFITS. QUELQUES ÉTATS NE PERMETTENT PAS L'EXCLUSION NI LA LIMITATION DE DOMMAGES IMPRÉVUS NI RÉSULTANTS. LA LIMITATION OU EXCLUSION ANTÉRIEURE NE POURRA PAS DONC ÊTRE APPLICABLE À VOUS. CETTE GARANTIE EXCLUT ET SUBSTITUTE TOUTES LES AUTRES GARANTIES ÉCRITES OU ORALES EXPRESSES. DANS LA MESURE PRÉVUE PAR LA LOI, MILWAUKEE RENONCE À TOUTES LES GARANTIES IMPLICITES, Y COMPRIS N'IMPORTE QUELLE GARANTIE IMPLICITE DE COMMERCIALITÉ OU ADEQUATION À PROPOS D'UNE UTILISATION OU BUT PARTICULIER; DANS LA MESURE PRÉVUE PAR LA LOI À NE PAS PERMETTRE CETTE RENONCE, CES GARANTIES IMPLICITES SERONT LIMITÉES SELON LA DURÉE DE LA GARANTIE EXPRESSE APPLICABLE QUI A ÉTÉ DÉCRITE CI-DESSUS. QUELQUES ÉTATS NE PERMETTENT PAS LES LIMITATIONS SUR LA DURÉE D'UNE GARANTIE; LA LIMITATION CI-DESSUS POURRA DONC NE PAS ÊTRE APPLICABLE À VOUS. CETTE GARANTIE VOUS OFFRE DES DROITS JURIDIQUES ET VOUS POUVEZ BIEN AVOIR DES AUTRES DROITS, LESQUELS POURRONT CHANGER D'UN ÉTAT À UN AUTRE. Cette garantie est applicable à un produit vendu aux États-Unis et au Canada uniquement.

Veillez consulter la zone de recherche Trouver un Centre de Service dans la section Pièces et services du site d'Internet de MILWAUKEE ou bien, appelez le numéro 1.800.SAWDUST (1.800.729.3878) pour contacter le Centre de Service usine MILWAUKEE le plus proche. L'ACCEPTATION DES RECOURS EXCLUSIFS DE RÉPARATION ET DE REMPLACEMENT DÉCRITS DANS LES PRÉSENTS EST UNE CONDITION DU CONTRAT D'ACHAT DE TOUT PRODUIT MILWAUKEE. SI VOUS N'ACCEPTÉZ PAS CETTE CONDITION, VOUS NE DEVEZ PAS ACHETER LE PRODUIT. EN AUCUN CAS, MILWAUKEE NE SAURAIT ÊTRE RESPONSABLE DE TOUT DOMMAGE ACCESSOIRE, SPÉCIAL OU INDIRECT, DE DOMMAGES-INTÉRÊTS PUNITIFS OU DE TOUTE DÉPENSE, D'HONORAIRES D'AVOCAT, DE FRAIS, DE PERTE OU DE DÉLAIS ACCESSOIRES À TOUT DOMMAGE, DÉFAILLANCE OU DÉFAUT DE TOUT PRODUIT, Y COMPRIS NOTAMMENT LES PERTES DE PROFIT. CERTAINS ÉTATS ET PROVINCES NE PERMETTANT L'EXCLUSION OU LA LIMITATION DES DOMMAGES DIRECTS OU INDIRECTS, LES RESTRICTIONS CI-DESSUS PEUVENT NE PAS VOUS ÊTRE APPLICABLES. CETTE GARANTIE EST EXCLUSIVE ET REMPLACE TOUTE AUTRE GARANTIE EXPRESSE, QU'ELLE SOIT VERBALE OU ÉCRITE. DANS LA MESURE PERMISE PAR LA LOI, MILWAUKEE RENONCE À TOUTE GARANTIE IMPLICITE, Y COMPRIS, MAIS SANS S'Y LIMITER, TOUTE GARANTIE IMPLICITE DE QUALITÉ MARCHANDE OU D'ADAPTATION À UNE UTILISATION OU À UNE FIN PARTICULIÈRE. DANS LA MESURE OU UNE TELLE STIPULATION D'EXONÉRATION N'EST PAS PERMISE PAR LA LOI, LA DURÉE DE CES GARANTIES IMPLICITES EST LIMITÉE À LA PÉRIODE APPLICABLE DE LA GARANTIE EXPRESSE, TEL QUE CELA EST DÉCRIT PRÉCÉDEMMENT. CERTAINS ÉTATS ET PROVINCES NE PERMETTANT PAS DE LIMITATION DE DURÉE DES GARANTIES IMPLICITES, LES RESTRICTIONS CI-DESSUS PEUVENT DONC NE PAS VOUS ÊTRE APPLICABLES. LA PRÉSENTE VOUS CONFÈRE DES DROITS LÉGAUX PARTICULIERS; VOUS BÉNÉFICIEZ ÉGALEMENT D'AUTRES DROITS QUI VARIENT D'UN ÉTAT À UN AUTRE. Cette garantie s'applique aux produits vendus aux États-Unis et au Canada uniquement.

Veillez consulter la rubrique Centre SAV Milwaukee, dans la section Pièces et Services du site Web de MILWAUKEE, à l'adresse [www.milwaukeeeetool.com](http://www.milwaukeeeetool.com), ou composer le 1-800-SAWDUST (1-800-729-3878) afin de trouver le centre de service de votre région le plus proche pour l'entretien, sous garantie ou non, de votre outil électrique Milwaukee.

## ADVERTENCIAS DE SEGURIDAD GENERAL DE LOS PRODUCTOS

### ⚠️ ADVERTENCIA

Lea todas las advertencias e instrucciones de seguridad. Si no sigue todas las advertencias e instrucciones, se pueden provocar una descarga eléctrica, un incendio o lesiones graves. *Guarde todas las advertencias e instrucciones para consultarlas en el futuro.*

### SEGURIDAD EN EL ÁREA DE TRABAJO

• **Mantenga limpia y bien iluminada el área de trabajo.** Las áreas desordenadas u oscuras contribuyen a que se produzcan accidentes.

### SEGURIDAD ELÉCTRICA

• **No exponga la chaqueta con calefacción incorporada a la lluvia ni a condiciones de humedad.** El agua aumenta el riesgo de una descarga eléctrica.  
• **No maltrate el cable de alimentación. Nunca use el cable para trasladar, desconectar ni tirar de la chaqueta con calefacción incorporada.** Mantenga el cable lejos del calor, aceite, bordes afilados o piezas móviles.

### SEGURIDAD PERSONAL

• **Permanezca alerta, preste atención a lo que esté haciendo y use el sentido común al usar la chaqueta con calefacción incorporada.** No use esta prenda si está cansado o se encuentra bajo los efectos de las drogas, el alcohol o algún medicamento. Un momento de descuido puede causar lesiones personales graves.

### PRODUCTO DE USO Y CUIDADO

• **No use la chaqueta con calefacción incorporada si el botón de encendido no enciende o no apaga.** Cualquier chaqueta con calefacción incorporada que no se pueda controlar con el botón de encendido es peligrosa y se debe reparar.  
• **Desconecte la batería de la chaqueta con calefacción incorporada antes de guardarla.** Tales medidas preventivas de seguridad reducen el riesgo de poner en marcha accidentalmente la chaqueta con calefacción incorporada.  
• **Guarde la chaqueta con calefacción incorporada fuera del alcance de los niños y no permita que las personas que no están familiarizadas con estas instrucciones la operen.** La chaqueta con calefacción incorporada puede ser peligrosa en manos de usuarios no capacitados.  
• **Dé mantenimiento a la chaqueta con calefacción incorporada. Verifique que no haya partes rotas ni ninguna otra condición que pueda afectar el funcionamiento de la chaqueta con calefacción incorporada.** Si la chaqueta con calefacción incorporada está dañada, haga que la reparen antes de usarla.  
• **Use la chaqueta con calefacción incorporada de conformidad con estas instrucciones, teniendo en cuenta las condiciones de trabajo y la tarea que se va a realizar.** El uso de la chaqueta con calefacción incorporada para operaciones diferentes de aquellas para las que se diseñó podría causar una situación peligrosa.

## CUIDADO Y USO DE LA BATERÍA

• **Recargue la batería solamente con el cargador especificado por el fabricante.** Un cargador apropiado para un tipo de batería puede crear riesgo de incendio cuando se usa con otra batería.  
• **Use la chaqueta con calefacción incorporada solamente con baterías específicamente diseñadas.** El uso de cualquier otro tipo de batería puede crear riesgo de lesión e incendio.  
• **Cuando no se use la batería, manténgala alejada de otros objetos de metal, como clips para papel, monedas, llaves, clavos, tornillos u otros objetos de metal pequeños que puedan realizar una conexión entre los terminales.** Realizar un cortocircuito en los terminales de la batería puede provocar quemaduras o un incendio.  
• **En condiciones de abuso, puede derramarse líquido de la batería; evite el contacto con este. Si se produce un contacto accidental, lávese con agua. Si el líquido entra en contacto con los ojos, también busque atención médica.** El líquido que sale expulsado de la batería puede provocar irritaciones o quemaduras.

### MANTENIMIENTO

• **Haga que un técnico calificado realice el mantenimiento de su chaqueta con calefacción incorporada usando solamente piezas de repuesto idénticas.** Esto garantizará que se mantenga la seguridad de la chaqueta con calefacción incorporada.

### REGLAS ESPECÍFICAS DE SEGURIDAD PARA CHAQUETA CON CALEFACCIÓN

Lea cuidadosamente las instrucciones.

**Uso:**

- **No use esta chaqueta con calefacción incorporada en bebés, niños, personas desvalidas ni personas no sensibles al calor, como una persona que tiene mala circulación.**
- **Nunca use la prenda si el forro está húmedo.**
- **No se recomienda que los elementos de calefacción toquen la piel directamente.**
- **Desconecte el suministro de corriente inmediatamente si tiene molestias.**
- **No permita que los cordones queden atrapados.**
- **Si se advierte el funcionamiento incorrecto de esta chaqueta con calefacción incorporada, interrumpa su uso inmediatamente y comuníquese con una instalación de servicio MILWAUKEE para su reparación.**
- **No use alfileres, ya que pueden dañar el cableado eléctrico.**

**Cuidado:**

- **Antes de lavar la prenda, desconecte y retire la batería y el portabaterías del bolsillo del portabaterías.** Introduzca todo el cable de alimentación en la funda del soporte de la batería y asegure para cerrar.
- **Siga cuidado las instrucciones de la chaqueta con calefacción. Lavar a máquina en agua tibia, ciclo suave. Secar en secadora a temperatura baja.**
- **No use blanqueador.**
- **No planche la prenda.**
- **No la retuerza.**
- **No lave en seco.** No use líquido de lavado en seco para esta chaqueta con calefacción incorporada. No use blanqueador. Los solventes de limpieza pueden deteriorar el aislamiento del elemento calentador.
- **Conservar las etiquetas y las placas nominales.** Contienen información importante. Si son ilegibles o no están presentes, comuníquese con un centro de servicio

MILWAUKEE para obtener un reemplazo gratuito.

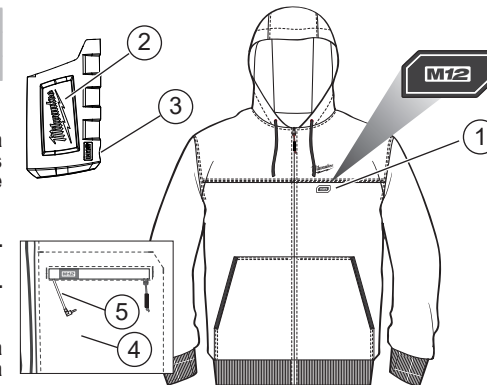
## ESPECIFICACIONES

Cat. No. ....302 Serie  
43-72-1000  
Volts..... 12 CD  
Tipo de batería .....M12™  
Tipo de cargador .....M12™

## SIMBOLOGÍA

	Volts
	Corriente continua
	Lavar a máquina en agua tibia, ciclo suave
	No aplicar cloro
	No exprimir ni torcer
	Secar en secadora a temperatura baja
	No planchar
	No lavar en seco

## DESCRIPCION FUNCIONAL



1. Botón de encendido  
Calefacción alta: el diodo luminoso (LED) rojo permanece encendido.  
Calefacción media: el diodo luminoso (LED) blanco permanece encendido.  
Calefacción baja: el diodo luminoso (LED) azul permanece encendido.
2. Portabaterías
3. Puerto del cable de alimentación
4. Bolsillo del portabaterías
5. Cable de alimentación



## ENSAMBLAJE

**▲ADVERTENCIA** Recargue la batería sólo con el cargador especificado para ella. Para instrucciones específicas sobre cómo cargar, lea el manual del operador suministrado con su cargador y la batería.

### Introducción/extracción de la batería

Para introducir la batería, deslícela en el cuerpo del portabaterías. Asegúrese de que quede bien firme en su posición.

Introduzca el cable de alimentación (que está en el interior del bolsillo del portabaterías) en el puerto del cable de alimentación que está en el portabaterías. Coloque el portabaterías en el bolsillo y cierre.

Para retirar la batería, presione los botones de liberación y jale de la batería para sacarla del portabaterías.

## OPERACION

El botón de encendido se encuentra en la parte superior izquierda de la chaqueta.

Para encender la prenda, presione y mantenga presionado el botón de encendido de la chaqueta con calefacción incorporada (alrededor de 1 - 2 segundos). La chaqueta se encenderá en Alto y el foco LED rojo se iluminará.

El ajuste de temperatura puede fijarse en cualquier momento presionando el botón de encendido de la chaqueta con calefacción incorporada. Cada vez que presiona el botón, se accionan los ciclos de ajustes de temperatura de la chaqueta con calefacción incorporada.

Para apagar la chaqueta con calefacción incorporada, presione y mantenga presionado el botón de encendido de la chaqueta con calefacción incorporada hasta que los diodos luminosos se apaguen (alrededor de 1 - 2 segundos).

Si la chaqueta con calefacción incorporada se apaga inesperadamente, verifique las conexiones y cargue la batería.

## CUIDADO

**▲ADVERTENCIA** Para reducir el riesgo de lesión, desenchufe siempre el cargador y retire la batería y el portabaterías de la chaqueta con calefacción incorporada antes de realizar el mantenimiento. Nunca desarme la chaqueta con calefacción incorporada, la batería ni el cargador. Comuníquese con una instalación de servicio MILWAUKEE para que se realicen TODAS las reparaciones.

Si la chaqueta con calefacción incorporada no enciende ni funciona correctamente con una batería completamente cargada, limpie los contactos de la batería. Si la chaqueta con calefacción incorporada de todos modos no funciona correctamente, lleve la chaqueta con calefacción incorporada, el cargador y la batería a una instalación de servicio MILWAUKEE para que los reparen.

**▲ADVERTENCIA** Para reducir el riesgo de lesiones personales y daños, antes de lavar la prenda, desconecte y retire la batería y el portabaterías del bolsillo del portabaterías. Nunca sumerja su portabaterías, la batería ni el cargador en un líquido ni permita que les entre líquido.

### Para limpiar la chaqueta con calefacción incorporada:

1. Retire la batería y el portabaterías.
2. Introduzca todo el cable de alimentación en la funda del soporte de la batería y asegure para cerrar.
3. Lavar a máquina en agua tibia, ciclo suave. Secar en secadora a temperatura baja. No use blanqueador. No lave en seco. No la retuerza.
4. Secar en secadora a temperatura baja. No planche la prenda.

## ACCESORIOS

**▲ADVERTENCIA** Utilice sólo los accesorios específicamente recomendados. Otros accesorios puede ser peligroso.

Para una lista completa de accesorios, visite nuestro sitio en Internet: [www.milwaukeetool.com](http://www.milwaukeetool.com) o póngase en contacto con un distribuidor.

## SOPORTE DE SERVICIO - MEXICO

### CENTRO DE ATENCION A CLIENTES

Techtronic Industries Mexico, S.A. de C.V.

Av. Presidente Masarik 29 Piso 7

11560 Polanco V Seccion

Miguel Hidalgo, Distrito Federal, México

01 (800) 030-7777 o (55) 4160-3540

Lunes a Viernes (9am a 6pm)

O contáctanos en [www.milwaukeetool.com.mx](http://www.milwaukeetool.com.mx)

## GARANTÍA LIMITADA - E.U.A. Y CANADÁ

Cada PRENDA CALEFACTADA de MILWAUKEE (con el soporte/controlador de la batería) está garantizados solo para el comprador original de que no tenga material y mano de obra defectuosos. Con algunas excepciones, MILWAUKEE reparará o reemplazará cualquier parte de una prenda calefactada que tenga defectos de material o mano de obra según lo determine MILWAUKEE mediante una revisión, por un periodo de un (1) año\* después de la fecha de compra. Devuelva la prenda calefactada al Centro de Servicio de la fábrica de MILWAUKEE con el flete prepagado y asegurado. Se debe incluir una copia del comprobante de compra con el producto devuelto. Esta garantía no aplica a daños que MILWAUKEE determine que son por reparaciones o intentos realizados por una persona que no sea personal de MILWAUKEE, uso indebido, alteraciones, maltrato, desgaste normal o accidentes.

\*Esta garantía no cubre una batería M12™ LITHIUM-ION, un cargador M12™ o una batería REDLITHIUM™ USB; son garantías separadas y distintas disponibles para estos productos.

No se requiere registrar la garantía para obtenerla sobre productos de prendas calefactadas MILWAUKEE. La fecha de manufactura del producto se utilizará para determinar el periodo de garantía si no se proporciona comprobante de compra al solicitar el servicio en garantía. LA ACEPTACIÓN DE LOS REMEDIOS EXCLUSIVOS DE REPARACIÓN Y REEMPLAZO AQUÍ DESCRITOS ES UNA CONDICIÓN DEL CONTRATO PARA LA COMPRA DE TODO PRODUCTO de MILWAUKEE. SI USTED NO ACEPTA ESTA CONDICIÓN, NO DEBE COMPRAR EL PRODUCTO. MILWAUKEE NO SERÁ RESPONSABLE EN NINGÚN CASO DE DAÑOS INCIDENTALES, ESPECIALES, EMERGENTES O PUNITIVOS NI DE NINGÚN COSTO, HONORARIOS LEGALES, GASTOS, PÉRDIDAS O DEMORAS ALEGADOS COMO CONSECUENCIA DE ALGÚN DAÑO, FALLA O DEFECTO EN NINGÚN PRODUCTO, INCLUYENDO, ENTRE OTROS, RECLAMACIONES POR PÉRDIDA DE UTILIDADES. ALGUNOS ESTADOS NO PERMITEN LA EXCLUSIÓN O LIMITACIÓN DE RESPONSABILIDAD POR DAÑOS INCIDENTALES O EMERGENTES, POR LO QUE LA ANTERIOR LIMITACIÓN O EXCLUSIÓN PODRÍA NO APLICAR EN SU CASO. ESTA GARANTÍA ES EXCLUSIVA Y REEMPLAZA TODAS LAS DEMÁS GARANTÍAS EXPRESAS, ESCRITAS U ORALES. HASTA DONDE PERMITA LA LEY, MILWAUKEE DESCONOCE CUALQUIER GARANTÍA IMPLÍCITA, INCLUYENDO SIN LIMITACIÓN CUALQUIER GARANTÍA IMPLÍCITA DE COMERCIABILIDAD O IDONEIDAD PARA UN FIN O USO ESPECÍFICO; HASTA EN QUE DICHO DESCONOCIMIENTO NO SEA PERMITIDO POR LA LEY, DICHAS GARANTÍAS IMPLÍCITAS SE LIMITAN A LA DURACIÓN DE LA GARANTÍA EXPRESA CORRESPONDIENTE SEGÚN LO ARRIBA DESCRITO. ALGUNOS ESTADOS NO PERMITEN LIMITACIONES EN DURACIÓN DE UNA GARANTÍA IMPLÍCITA, POR LO QUE LA ANTERIOR LIMITACIÓN PODRÍA NO APLICAR A USTED. ESTA GARANTÍA LE DA DERECHOS LEGALES ESPECÍFICOS Y USTED PODRÍA ADEMÁS TENER OTROS DERECHOS QUE VARIAN DE UN ESTADO A OTRO.

Esta garantía aplica a productos vendidos solo en los EE. UU. y Canadá.

Consulte la "Búsqueda de Centros de Servicio" en el sitio web de MILWAUKEE [www.milwaukeetool.com](http://www.milwaukeetool.com) o llame al 1.800.SAWDUST (1.800.729.3878) para localizar el Centro de Servicio de fábrica MILWAUKEE más cercano a usted.

## GARANTÍA LIMITADA - E.U.A. Y CANADÁ - BATERÍA

Cada batería y cargador REDLITHIUM USB\* de MILWAUKEE están garantizados para el comprador original únicamente de que no tenga material y mano de obra defectuosos. Sujeto a ciertas excepciones, MILWAUKEE reparará o reemplazará una batería o cargador REDLITHIUM USB que tenga defectos de material o mano de obra según lo determine MILWAUKEE mediante una revisión, por un periodo de dos (2) años después de la fecha de compra a menos que se indique lo contrario. Al devolver la batería o cargador REDLITHIUM USB a un Centro de Servicio de la fábrica de MILWAUKEE o a una Estación de Servicio Autorizada de MILWAUKEE, se requiere que el flete esté pagado por adelantado y asegurado. Para fines de un envío correcto de baterías, llame al 1.800.SAWDUST (1.800.729.3878) o visite [www.milwaukeetool.com](http://www.milwaukeetool.com). Se debe incluir una copia del comprobante de compra con el producto devuelto. Esta garantía no aplica a daños que MILWAUKEE determine que son ocasionados por reparaciones o intentos de reparaciones realizados por una persona que no sea personal autorizado de MILWAUKEE, uso indebido, alteraciones, maltrato, desgaste normal, falta de mantenimiento o accidentes. Desgaste normal: Esta garantía no cubre la reparación o reemplazo cuando el uso normal haya desgastado la vida de una parte, incluyendo pero sin limitarse a los cables de carga y enchufes de pared. \*Esta garantía no cubre ningún producto inalámbrico que se venda con la batería y/o cargador REDLITHIUM USB. Existen garantías por separado y distintas disponibles para estos productos.

LA ACEPTACIÓN DE LOS REMEDIOS EXCLUSIVOS DE REPARACIÓN Y REEMPLAZO AQUÍ DESCRITOS ES UNA CONDICIÓN DEL CONTRATO PARA LA COMPRA DE TODO PRODUCTO de MILWAUKEE. SI USTED NO ACEPTA ESTA CONDICIÓN, NO DEBE COMPRAR EL PRODUCTO. MILWAUKEE NO SERÁ RESPONSABLE EN NINGÚN CASO DE DAÑOS INCIDENTALES, ESPECIALES, EMERGENTES O PUNITIVOS NI DE NINGÚN COSTO, HONORARIOS LEGALES, GASTOS, PÉRDIDAS O DEMORAS ALEGADOS COMO CONSECUENCIA DE ALGÚN DAÑO, FALLA O DEFECTO EN NINGÚN PRODUCTO, INCLUYENDO, ENTRE OTROS, RECLAMACIONES POR PÉRDIDA DE UTILIDADES. ALGUNOS ESTADOS NO PERMITEN LA EXCLUSIÓN O LIMITACIÓN DE RESPONSABILIDAD POR DAÑOS INCIDENTALES O EMERGENTES, POR LO QUE LA ANTERIOR LIMITACIÓN O EXCLUSIÓN PODRÍA NO APLICARSE EN SU CASO. ESTA GARANTÍA ES EXCLUSIVA Y REEMPLAZA TODAS LAS DEMÁS GARANTÍAS EXPRESAS, ESCRITAS U ORALES, EN LA MEDIDA EN QUE LO PERMITA LA LEY, MILWAUKEE DESCONOCE CUALQUIER GARANTÍA IMPLÍCITA, INCLUYENDO SIN LIMITACIÓN CUALQUIER GARANTÍA IMPLÍCITA DE COMERCIABILIDAD O IDONEIDAD PARA UN FIN O USO ESPECÍFICO; EN LA MEDIDA EN QUE DICHO DESCONOCIMIENTO NO SEA PERMITIDO POR LA LEY, DICHAS GARANTÍAS IMPLÍCITAS SE LIMITAN A LA DURACIÓN DE LA GARANTÍA EXPRESA CORRESPONDIENTE SEGÚN SE DESCRIBIÓ ANTERIORMENTE. ALGUNOS ESTADOS NO PERMITEN LIMITACIONES SOBRE LA DURACIÓN DE UNA GARANTÍA IMPLÍCITA, POR LO QUE LA ANTERIOR LIMITACIÓN PODRÍA NO APLICARSE A USTED. ESTA GARANTÍA LE DA DERECHOS LEGALES ESPECÍFICOS Y USTED PODRÍA ADEMÁS TENER OTROS DERECHOS QUE VARIAN DE UN ESTADO A OTRO.

Esta garantía aplica a productos vendidos en los Estados Unidos y en Canadá únicamente.

Consulte la Búsqueda de un Centro de Servicio en la sección de Refacciones y Servicio del sitio web de MILWAUKEE en [www.milwaukeetool.com](http://www.milwaukeetool.com) o llame al 1.800.SAWDUST (1.800.729.3878) para localizar el Centro de Servicio de fábrica MILWAUKEE más cercano a usted.

## PÓLIZA DE GARANTÍA - VALIDA SOLO PARA MEXICO, AMÉRICA CENTRAL Y EL CARIBE

La garantía de TECHTRONIC INDUSTRIES es por 1 año a partir de la fecha original de compra.

Esta tarjeta de garantía cubre cualquier defecto de material y mano de obra en ese Producto.

Para hacer válida esta garantía, presente esta tarjeta de garantía, cerrada/sellada por el distribuidor o la tienda donde compró el producto, al Centro de Servicio Autorizado (ASC). O, si esta tarjeta no se ha cerrado/sellado, presente la prueba original de compra a ASC. Llame 55 4160-3547 para encontrar el ASC más cercano, para servicio, partes, accesorios o componentes.

### Procedimiento para hacer válida esta garantía

Lleve el producto a ASC, junto con la tarjeta de garantía cerrada/sellada por el distribuidor o la tienda donde compró el producto, y cualquier pieza o componente defectuoso se reemplazará sin costo para usted. Cubriremos todos los costos de flete con relación a este proceso de garantía

### Excepciones

Esta garantía no tendrá validez en las siguientes situaciones:

- a) Cuando el producto se use de manera distinta a la que indica el manual del usuario final o de instrucciones.
- b) Cuando las condiciones de uso no sean normales.
- c) Cuando otras personas no autorizadas por TECHTRONIC INDUSTRIES modifiquen o reparen el producto.

**Nota:** si el juego de cables está dañado, tiene que reemplazarse en un Centro de Servicio Autorizado para evitar riesgos eléctricos.

### CENTRO DE SERVICIO Y ATENCIÓN

Llame al 55 4160-3547

IMPORTADO Y COMERCIALIZADO POR  
TECHTRONIC INDUSTRIES, MÉXICO, S.A. DE C.V.  
Miguel de Cervantes Saavedra No.301 Piso 5, Torre Norte  
11520 Colonia Ampliación Granada  
Miguel Hidalgo, Ciudad de Mexico, Mexico

Modelo: \_\_\_\_\_

Fecha de Compra: \_\_\_\_\_

Sello del Distribuidor: \_\_\_\_\_

**MILWAUKEE TOOL**  
13135 West Lisbon Road  
Brookfield, WI 53005 USA

58143020d3  
11/20

01601495101Q-01(A)  
Printed in China