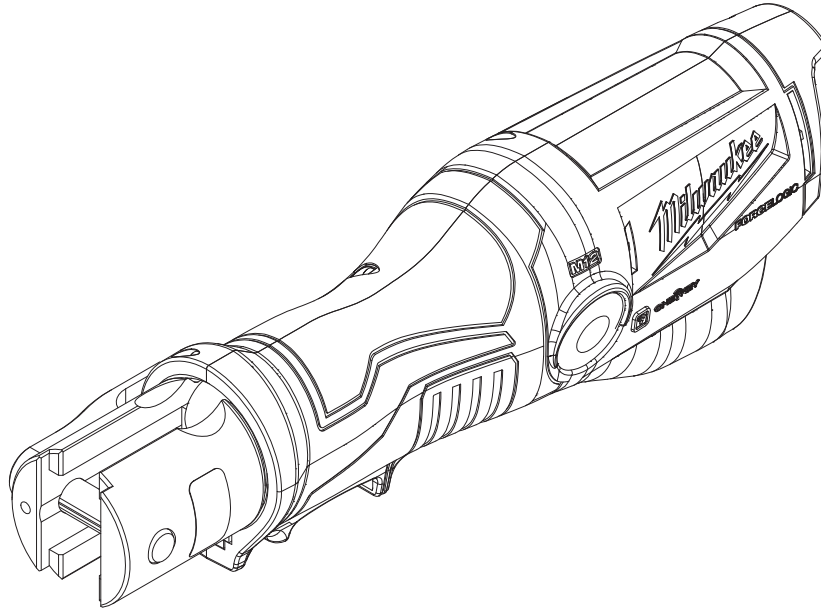




SERVICE PARTS LIST

BULLETIN NO.
PN0003467

SPECIFY CATALOG NO. AND SERIAL NO. WHEN ORDERING PARTS		REVISED BULLETIN	DATE
M12™ FORCE LOGIC™ Press Tool with ONE-KEY™			June 2025
CATALOG NO. 2573-20	SERIAL NO. N24A	WIRING INSTRUCTION	



Only maintenance, service, repairs, and replacements of parts as defined in the Operator's Manual can be performed by the user.

All other repairs are to ONLY be performed by personnel authorized by MILWAUKEE TOOL. Do not attempt to install other parts; this COULD void your tool warranty.

For service, parts, or inquiries, contact us:

- Customer Service at 1.800.SAWDUST (1.800.729.3878)
- E-Service tool repair at: www.milwaukeetool.com/e-service
- Find a local authorized MILWAUKEE service location at Milwaukeetool.com
- Find a MILWAUKEE factory Service Center Location or MILWAUKEE factory Central Repair Center at Milwaukeetool.com. Send the following, prepaid and insured:
 - Your name, address, and phone number
 - Description of the issues
 - Copy of the proof of purchase
 - Tool, charger, and batteries involved with the issues

MILWAUKEE factory Central Repair Centers:

MILWAUKEE TOOL
Central Repair
1401 Sycamore Avenue
Greenwood, MS 38930

MILWAUKEE TOOL
Central Repair
2198 Southtech Drive
Greenwood, IN 46143

00 0

EXAMPLE:

Component Parts (Small #) Are Included
When Ordering The Assembly (Large #).

FIG.	PART NO.	DESCRIPTION OF PART	NO. REQ.
1d	44-70-0725	Indexing Plunger	(1)
1e	40-50-0905	Compression Spring	(1)
2	-----	Retension Bolt Assembly	(1)
2a	-----	Clevis Pin	(1)
2b	-----	Clevis Pin Handle	(1)
2c	-----	M5 x 8mm Truss Hd. Screw	(1)
3	10-20-5416	Warning Label	(1)
33	31-12-0550	Diagnostic Plug Cover	(1)
41	12-20-0428	Service Nameplate	(1)
42	-----	Coin Cell Battery Door	(1)
43	-----	Coin Cell Battery (CR2032) - See local hardware store	(1)
44	05-80-0050	M3 x 10mm Pan Hd. ST Screw	(2)
75	14-46-1126	Battery Door Service Kit	(1)
76	44-70-0101	Retension Bolt Service Kit	(1)

