



# SERVICE PARTS LIST

BULLETIN NO.  
PN0014410

SPECIFY CATALOG NO. AND SERIAL NO. WHEN ORDERING PARTS		REVISED BULLETIN	DATE
<b>BOLT™ 4 PT Safety Helmet (CSA - Canadian) - No Brim</b>			Feb. 2026
CATALOG NO.	48-73-1500	Safety Helmet - No Brim	Vented
	48-73-1501	Safety Helmet - No Brim	Unvented
	48-73-1502	Safety Helmet - No Brim	Vented
	48-73-1503	Safety Helmet - No Brim	Unvented
	48-73-1504	Safety Helmet - No Brim	Vented
	48-73-1505	Safety Helmet - No Brim	Unvented
	48-73-1506	Safety Helmet - No Brim	Vented
	48-73-1507	Safety Helmet - No Brim	Unvented
	48-73-1508	Safety Helmet - No Brim	Vented
	48-73-1509	Safety Helmet - No Brim	Unvented
	48-73-1510	Safety Helmet - No Brim	Vented
	48-73-1511	Safety Helmet - No Brim	Unvented
	48-73-1512	Safety Helmet - No Brim	Vented
	48-73-1513	Safety Helmet - No Brim	Unvented
	48-73-1514	Safety Helmet - No Brim	Vented
	48-73-1515	Safety Helmet - No Brim </td <td>Unvented</td>	Unvented
	48-73-1516	Safety Helmet - No Brim	Vented
	48-73-1517	Safety Helmet - No Brim	Unvented
	48-73-1518	Safety Helmet - No Brim	Vented
	48-73-1519	Safety Helmet - No Brim	Unvented
			White
			White
			Yellow
			Yellow
			Blue
			Blue
			Green
			Green
			Red
			Red
			Black
			Black
			Orange
			Orange
			Grey
			Grey
			Hi-Vis
			Hi-Vis
			Custom
			Custom

**BOLT™ 4 PT SAFETY HELMET - FRONT BRIM SEE PAGE 2**  
**BOLT™ 4 PT SAFETY HELMET - FULL BRIM SEE PAGE 3**

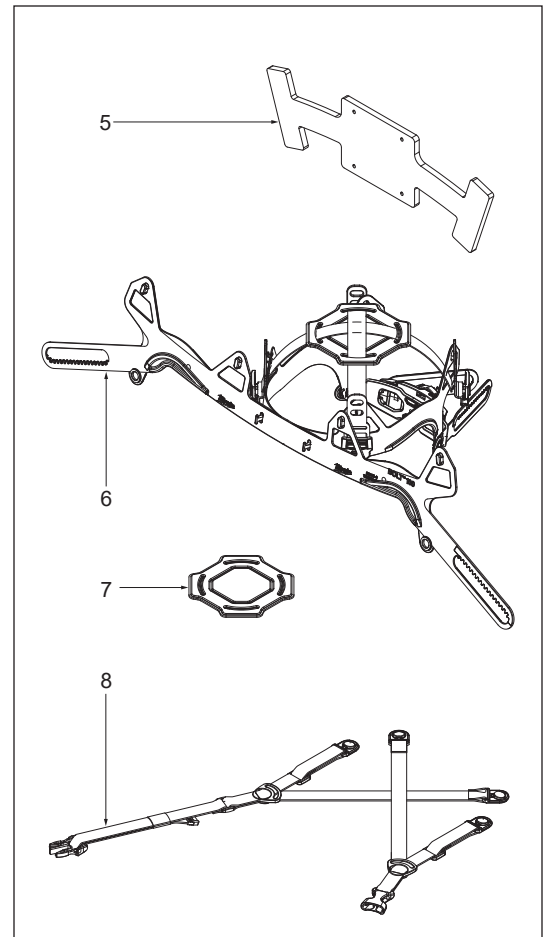
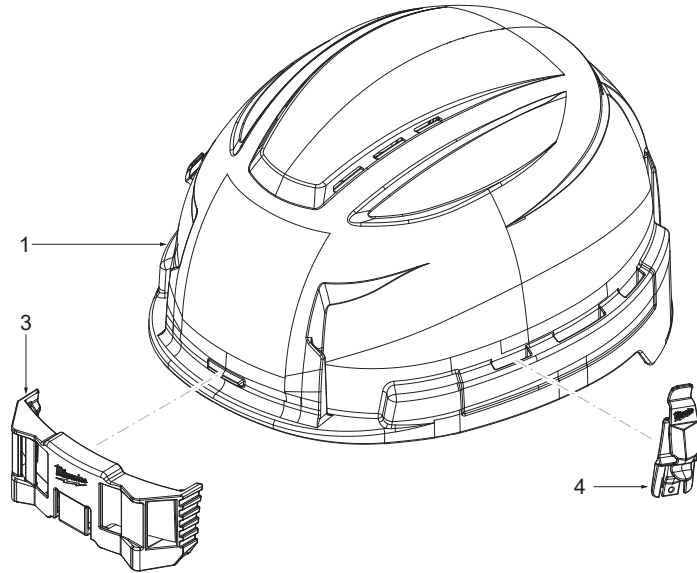


FIG.	PART NO.	DESCRIPTION OF PART	NO. REQ.
1	-----	No Brim 4 PT Safety Helmet, Vented	(1)
2	-----	No Brim 4 PT Safety Helmet (Non-vented) (Not Shown)	(1)
3	48-73-1090	Headlamp Clip (Accessory)	(1)
4	48-73-1086	Pen Clip (Accessory)	(1)
5	48-73-1592	Helmet Sweat Band (Accessory)	(1)
6	48-73-1599	Helmet Suspension Assembly (Accessory)	(1)
7	48-73-1593	Helmet Top Pad (Accessory)	(1)
8	48-73-1067	Helmet Chin Strap Assembly (Accessory)	(1)
9	48-73-1087	F.R. (Fire Resistant) Helmet Chin Strap Assembly - (Accessory) (Not Shown)	(1)

## BOLT™ 4 PT Safety Helmet (CSA - Canadian) - Front Brim

<b>CATALOG NO.</b>	<b>48-73-1520</b>	<b>Safety Helmet - Front Brim</b>	<b>Vented</b>	<b>White</b>
	<b>48-73-1521</b>	<b>Safety Helmet - Front Brim</b>	<b>Unvented</b>	<b>White</b>
	<b>48-73-1522</b>	<b>Safety Helmet - Front Brim</b>	<b>Vented</b>	<b>Yellow</b>
	<b>48-73-1523</b>	<b>Safety Helmet - Front Brim</b>	<b>Unvented</b>	<b>Yellow</b>
	<b>48-73-1524</b>	<b>Safety Helmet - Front Brim</b>	<b>Vented</b>	<b>Blue</b>
	<b>48-73-1525</b>	<b>Safety Helmet - Front Brim</b>	<b>Unvented</b>	<b>Blue</b>
	<b>48-73-1526</b>	<b>Safety Helmet - Front Brim</b>	<b>Vented</b>	<b>Green</b>
	<b>48-73-1527</b>	<b>Safety Helmet - Front Brim</b>	<b>Unvented</b>	<b>Green</b>
	<b>48-73-1528</b>	<b>Safety Helmet - Front Brim</b>	<b>Vented</b>	<b>Red</b>
	<b>48-73-1529</b>	<b>Safety Helmet - Front Brim</b>	<b>Unvented</b>	<b>Red</b>
	<b>48-73-1530</b>	<b>Safety Helmet - Front Brim</b>	<b>Vented</b>	<b>Black</b>
	<b>48-73-1531</b>	<b>Safety Helmet - Front Brim</b>	<b>Unvented</b>	<b>Black</b>
	<b>48-73-1532</b>	<b>Safety Helmet - Front Brim</b>	<b>Vented</b>	<b>Orange</b>
	<b>48-73-1533</b>	<b>Safety Helmet - Front Brim</b>	<b>Unvented</b>	<b>Orange</b>
	<b>48-73-1534</b>	<b>Safety Helmet - Front Brim</b>	<b>Vented</b>	<b>Grey</b>
	<b>48-73-1535</b>	<b>Safety Helmet - Front Brim</b>	<b>Unvented</b>	<b>Grey</b>
	<b>48-73-1536</b>	<b>Safety Helmet - Front Brim</b>	<b>Vented</b>	<b>Hi-Vis</b>
	<b>48-73-1537</b>	<b>Safety Helmet - Front Brim</b>	<b>Unvented</b>	<b>Hi-Vis</b>
	<b>48-73-1538</b>	<b>Safety Helmet - Front Brim</b>	<b>Vented</b>	<b>Custom</b>
	<b>48-73-1539</b>	<b>Safety Helmet - Front Brim</b>	<b>Unvented</b>	<b>Custom</b>

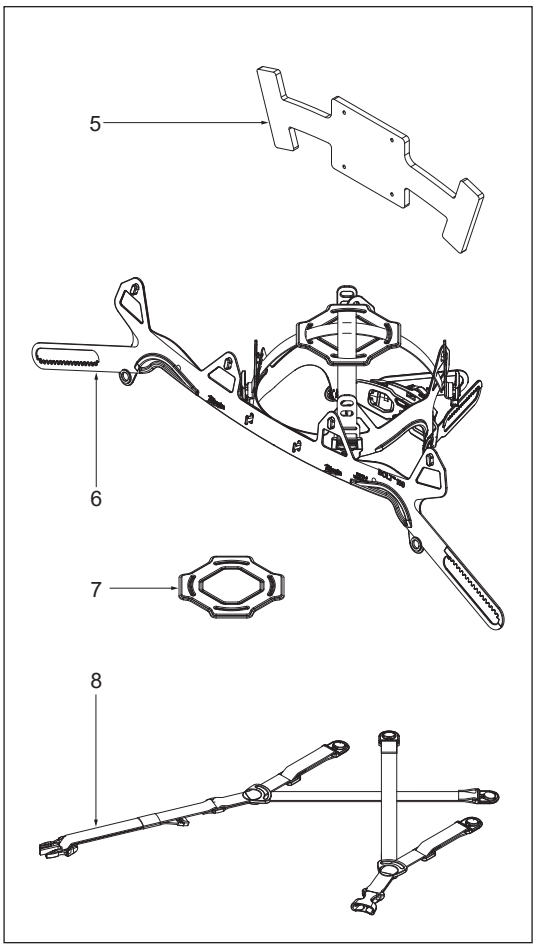
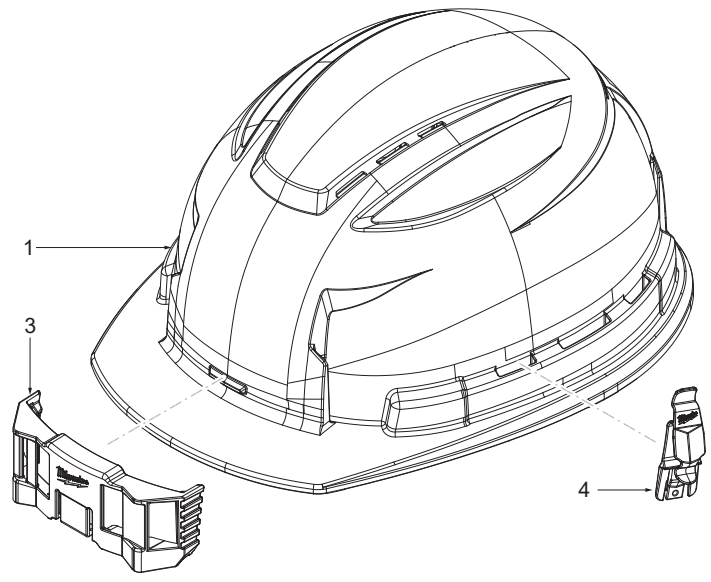


FIG.	PART NO.	DESCRIPTION OF PART	NO. REQ.
1	-----	Front Brim 4 PT Safety Helmet, Vented	(1)
2	-----	Front Brim 4 PT Safety Helmet (Non-vented) (Not Shown)	(1)
3	48-73-1090	Headlamp Clip (Accessory)	(1)
4	48-73-1086	Pen Clip (Accessory)	(1)
5	48-73-1592	Helmet Sweat Band (Accessory)	(1)
6	48-73-1599	Helmet Suspension Assembly (Accessory)	(1)
7	48-73-1593	Helmet Top Pad (Accessory)	(1)
8	48-73-1067	Helmet Chin Strap Assembly (Accessory)	(1)
9	48-73-1087	F.R. (Fire Resistant) Helmet Chin Strap Assembly - (Accessory) (Not Shown)	(1)

## BOLT™ 4 PT Safety Helmet (CSA - Canadian) - Full Brim

CATALOG NO.	48-73-1540	48-73-1541	48-73-1542	48-73-1543	48-73-1544	48-73-1545	48-73-1546	48-73-1547	48-73-1548	48-73-1549	48-73-1550	48-73-1551	48-73-1552	48-73-1553	48-73-1554	48-73-1555	48-73-1556	48-73-1557	48-73-1558	48-73-1559	
	Safety Helmet - Full Brim	Safety Helmet - Full Brim	Safety Helmet - Full Brim	Safety Helmet - Full Brim	Safety Helmet - Full Brim	Safety Helmet - Full Brim	Safety Helmet - Full Brim	Safety Helmet - Full Brim	Safety Helmet - Full Brim	Safety Helmet - Full Brim	Safety Helmet - Full Brim	Safety Helmet - Full Brim	Safety Helmet - Full Brim	Safety Helmet - Full Brim	Safety Helmet - Full Brim	Safety Helmet - Full Brim	Safety Helmet - Full Brim	Safety Helmet - Full Brim	Safety Helmet - Full Brim	Safety Helmet - Full Brim	Safety Helmet - Full Brim
	Vented	Unvented	Vented	Unvented	Vented	Unvented	Vented	Unvented	Vented	Unvented	Vented	Unvented	Vented	Unvented	Vented	Unvented	Vented	Unvented	Vented	Unvented	Vented
	White	White	Yellow	Yellow	Blue	Blue	Green	Green	Red	Red	Black	Black	Orange	Orange	Grey	Grey	Hi-Vis	Hi-Vis	Custom	Custom	

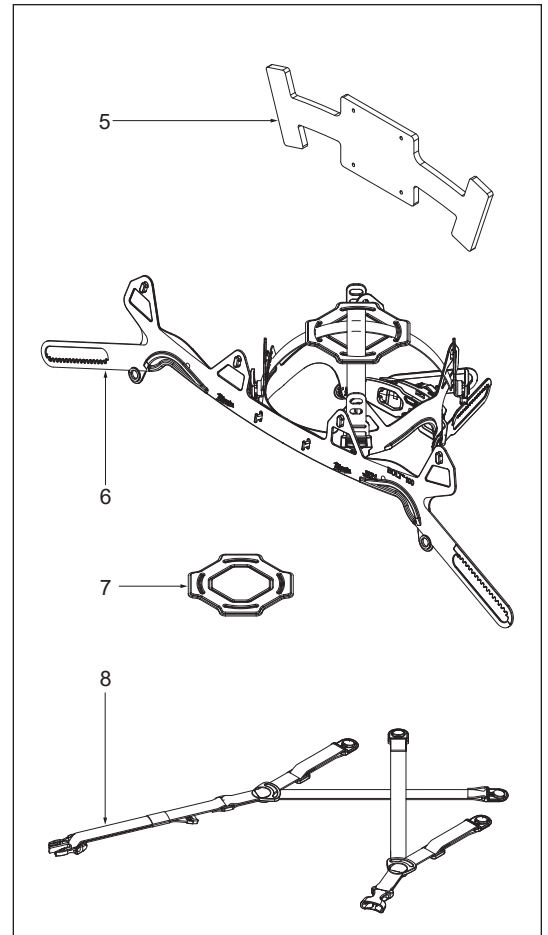
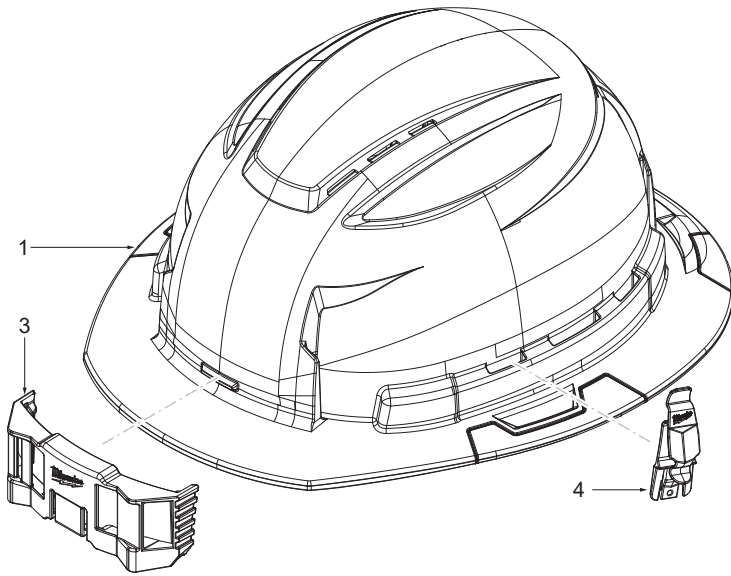


FIG.	PART NO.	DESCRIPTION OF PART	NO. REQ.
1	-----	Full Brim 4 PT Safety Helmet, Vented	(1)
2	-----	Full Brim 4 PT Safety Helmet (Non-vented) (Not Shown)	(1)
3	48-73-1090	Headlamp Clip (Accessory)	(1)
4	48-73-1086	Pen Clip (Accessory)	(1)
5	48-73-1592	Helmet Sweat Band (Accessory)	(1)
6	48-73-1599	Helmet Suspension Assembly (Accessory)	(1)
7	48-73-1593	Helmet Top Pad (Accessory)	(1)
8	48-73-1067	Helmet Chin Strap Assembly (Accessory)	(1)
9	48-73-1087	F.R. (Fire Resistant) Helmet Chin Strap Assembly - (Accessory) (Not Shown)	(1)